

C0322 and C0522 Service Parts

This part list contains the service parts for the air cooled, water cooled and remote air cooled C0322, C0522 ice machines.

There was a change to panels in late 2009. Those are designated as B series units.

To avoid costly and time consuming errors, double check the model and voltage before ordering a part.

Note: These abbreviations are used in this list:

- AC = Air Cooled
- WC = Water Cooled
- RC = Remote Cooled
- HGV = Hot Gas Valve
- TXV = Thermostatic Expansion Valve
- Volt = Voltage
- Sol Vlv = Solenoid Valve
- Hdwe = Hardware

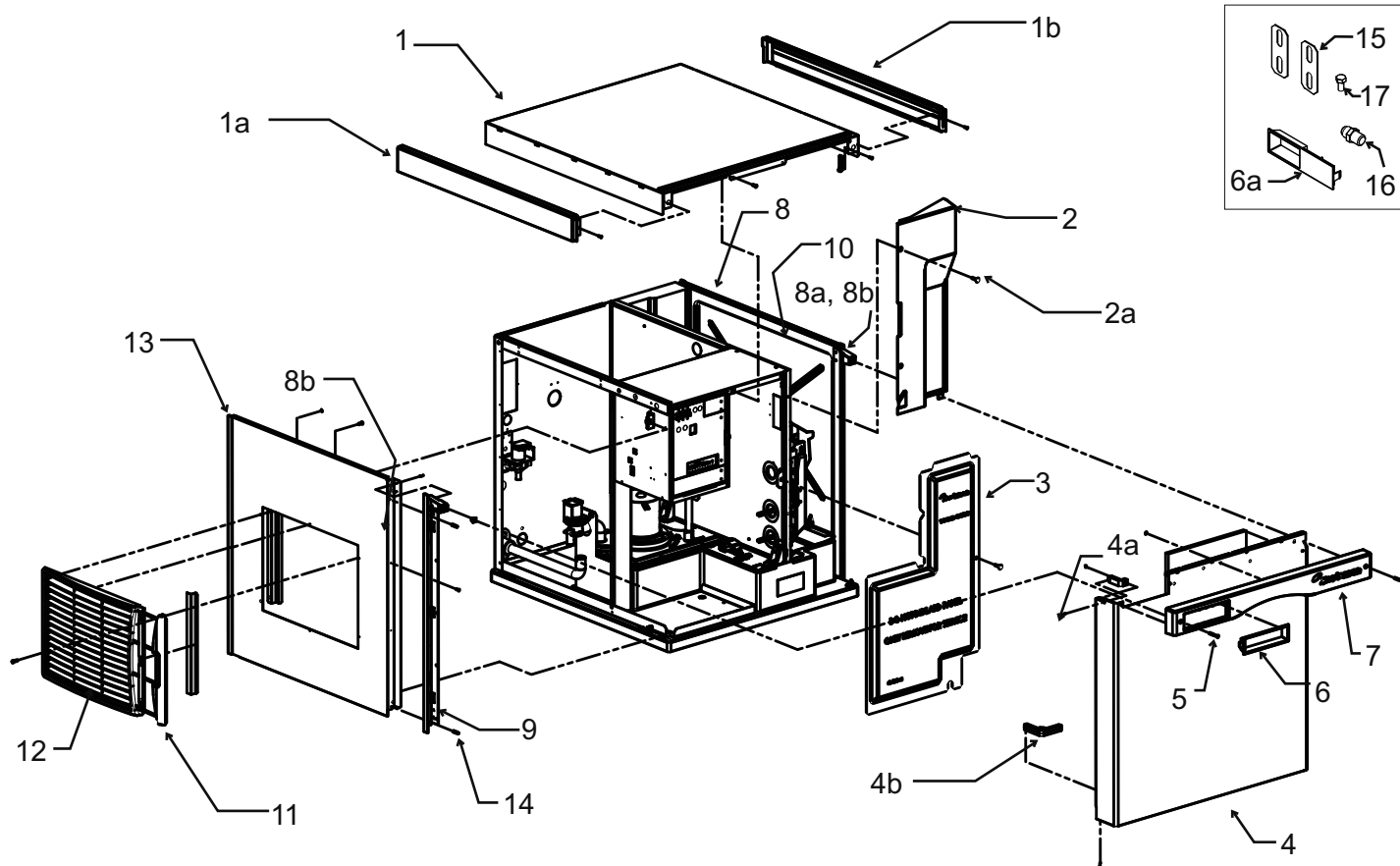
Table of Contents

Cabinet - <u>A Series</u>	Page 2
Cabinet - <u>B Series</u>	Page 3
Interior Parts	Page 4
Evaporator Compartment	Page 5
Air Cooled Refrigeration System	Page 6
Air Cooled Mechanical & Electrical - C0322	Page 7
Air Cooled Mechanical & Electrical - C0522	Page 8
Water Cooled Refrigeration System	Page 9
C0522 Remote Refrigeration System	Page 10
Electrical & Control Box	Page 11
Compressors	Page 12
Compressor Mounting Hardware	Page 12
Remote Condenser, ERC111, ERC211	Page 13

Scotsman
800-533-6006
www.scotsman-ice.com

C0322 and C0522 Service Parts

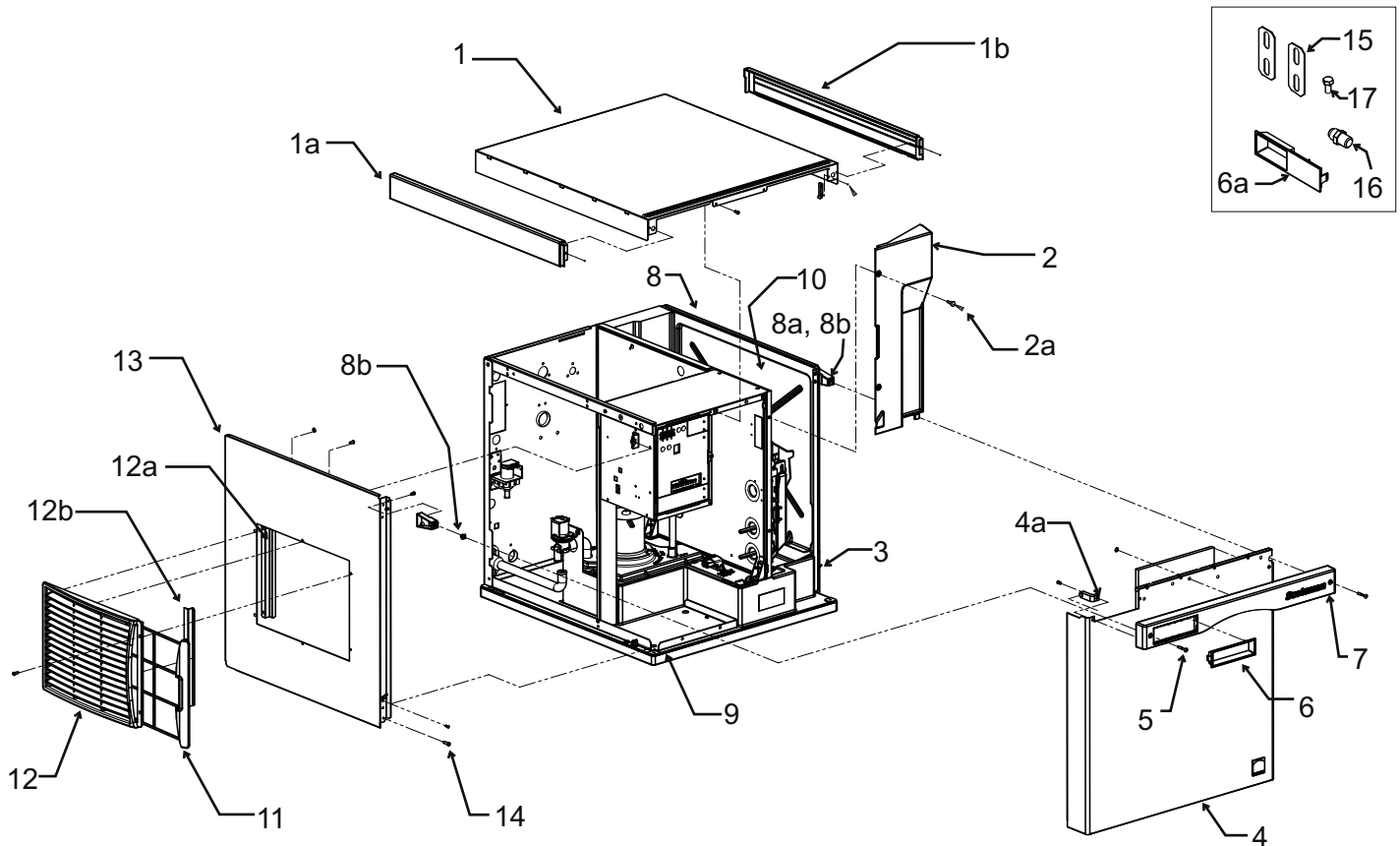
Cabinet - A Series



Item Number	Part Number	Description	Item Number	Part Number	Description
1	A38941-021	Top panel, w/trim strips	8b	03-3804-01	Screw receptacle
1a	02-4221-01	Left trim strip	9	02-4067-01	Side panel support for water cooled and remote models
1b	02-4221-02	Right trim strip		02-4067-02	Side panel support for air cooled models
2	02-4240-01	Evaporator cover	10	02-4336-01	Right side panel liner
2a	03-0727-05	Screw	11	02-4212-01	Air filter
3	02-4219-01	Shield - discontinued Feb 2009.	12	02-4224-01	Louver panel
4	A38552-021	Front panel assembly, includes trim strip, gussets and labels.	12a	A39222-001	Filter guide
4a	02-4216-01	Top gusset	12b	A39238-001	Louver bracket
4b	02-4217-01	Bottom gusset	13	A38551-021	Left side panel, AC
5	03-1735-03	Screw, front panel		A38551-022	Left side panel WC, RC
6	02-4284-01	Bezel, full window	14	03-1404-12	Screw
6a	02-4284-02	Bezel, partial window	15	A30911-015	Machine straps
7	02-4214-01	Trim strip	16	16-0355-00	Inlet water fitting, flare
8	A38553-021	Right side panel assy	17	03-1405-15	Screw
8a	02-4215-01	Receptacle			

C0322 and C0522 Service Parts

Cabinet - B Series

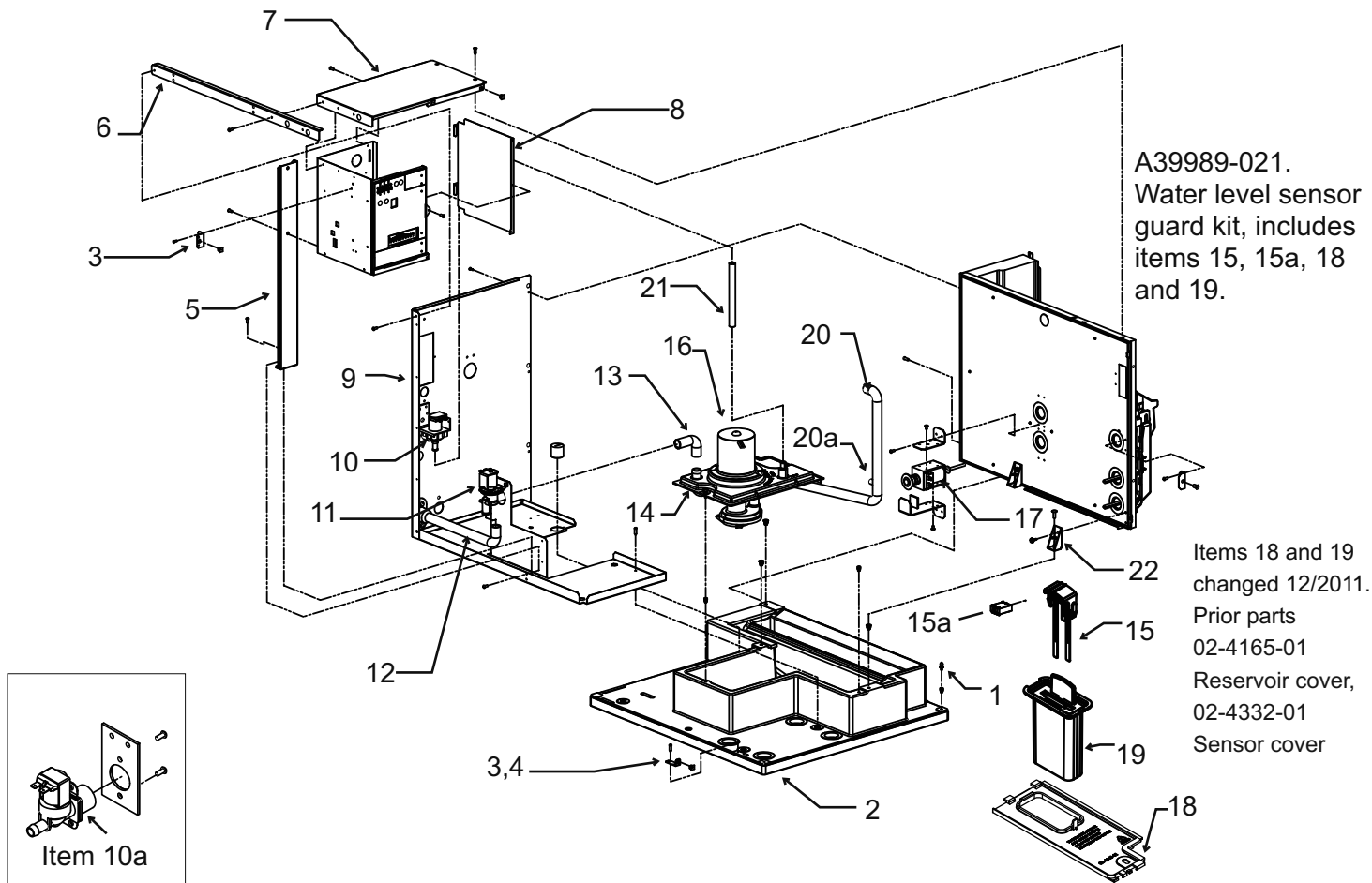


Item Number	Part Number	Description	Item Number	Part Number	Description
1	A39579-021	Top panel	8b	03-3804-01	Screw receptacle
1a	02-4221-01	Left trim strip*	9	no number	Compressor deck
1b	02-4221-02	Right trim strip*	10	02-4336-01	Right side panel liner
2	02-4240-01	Evaporator cover	11	02-4212-01	Air filter
2a	03-0727-05	Screw	12	02-4224-01	Louver panel
3	A39571-001	Side panel clip	12a	A39222-001	Filter guide
4	A39578-021	Front panel assembly, includes trim strip, gussets and labels.	12b	A39238-001	Louver bracket
4a	02-4216-01	Top gusset	13	A39580-021	Left side panel, AC
5	03-1735-03	Screw, front panel		A39580-022	Left side panel WC, RC
6	02-4284-01	Bezel, full window	14	03-1404-12	Screw
6a	02-4284-02	Bezel, partial window	15	A30911-015	Machine straps
7	02-4214-01	Trim strip	16	16-0355-00	Inlet water fitting, flare
8	A39581-021	Right side panel assy	17	03-1405-15	Screw
8a	02-4215-01	Receptacle			

* Trim strips discontinued mid 2011.

C0322 and C0522 Service Parts

Interior Parts



Item Number	Part Number	Description
1	15-0411-00	Strike - A series only
2	no number	Base, insulated
3	03-3804-01	Receptacle
4	A38732-001	Side panel mount
5	A38607-001	Strut
6	A38582-001	Brace
7	A38539-001	Control box top
8	A38537-001	Control box side
9	no number	Back panel
10	12-2922-01	Inlet water sol vlv, 115 volt
	12-2922-02	Inlet water sol vlv, 230 volt
	12-2912-01	Water valve rebuild kit
10a	11-0568-02	Inlet water sol vlv, CE mod
11	11-0564-01	Purge valve, 115 volt
	11-0564-02	Purge valve, 230 volt
12	A38861-002	Drain tube
13	A38861-001	Drain hose
14	02-4164-01	Water pump bracket

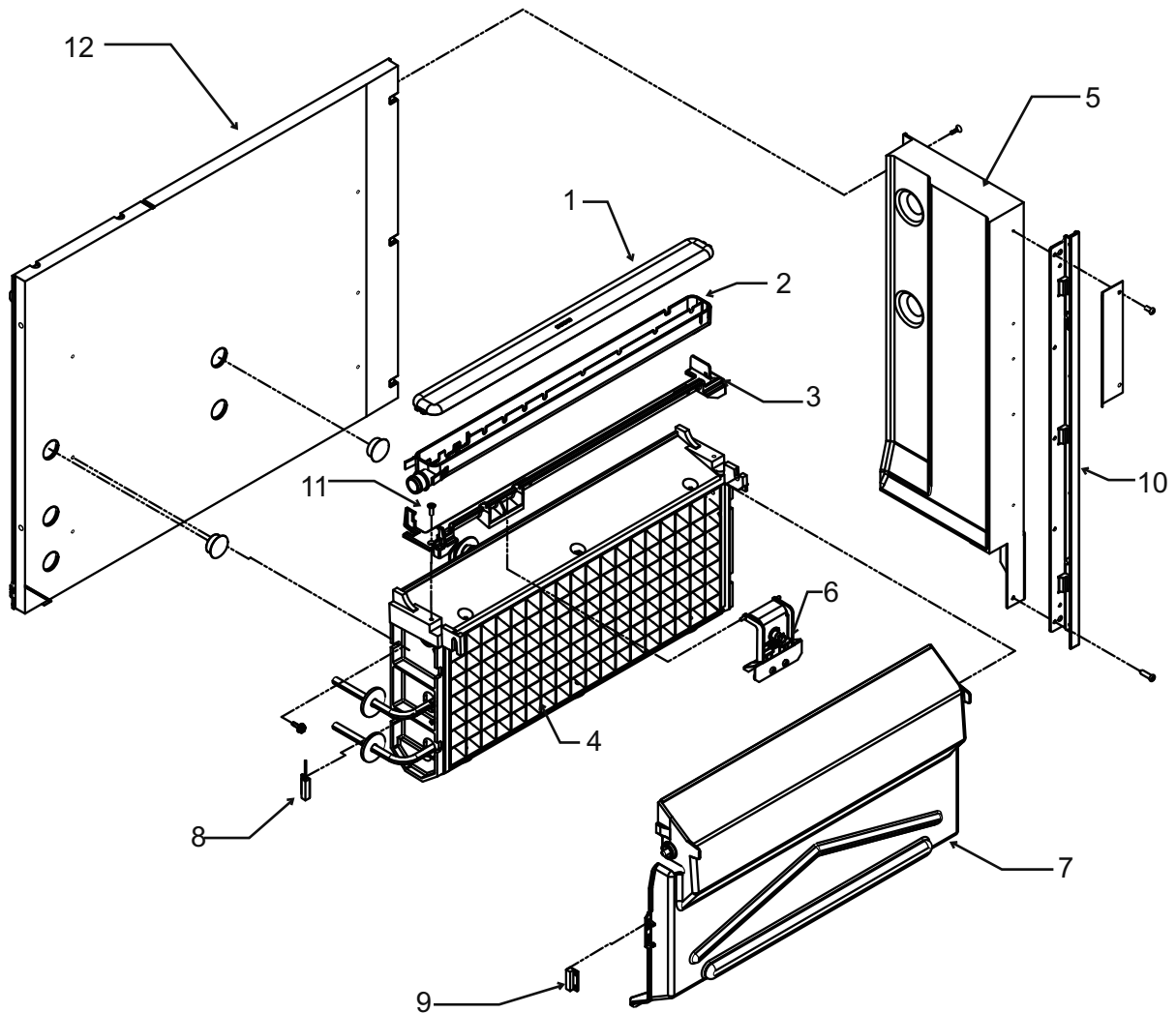
Item Number	Part Number	Description
15	A39030-021	Water level sensor
15a		Harness, see page 11
16	12-2919-21	Water pump, 115 volt
	12-2919-22	Water pump, 208-230 volt
17	see table	Harvest assist solenoid

Hvst. solenoids	115	208-230
C0322, C0522	12-3035-21	12-3035-22

18	02-4648-01	Reservoir cover
19	02-4646-01	Sensor guard
20	02-4154-02	Pump hose, C0522
	02-4154-01	Pump hose, C0322
20a	11-0515-21	Temp sensor set
21	13-0674-02	Fill hose - order per foot
	15-0821-01	Fill hose, -6 CE models
22	02-4152-01	Gusset

C0322 and C0522 Service Parts

Evaporator Compartment



Item Number	Part Number	Description
1	02-4065-01	Water distributor cover
2	02-4064-01	Water distributor
3	02-4205-01	Mounting bracket
4	see table	Evaporator

Item Number	Part Number	Description
7	02-4100-31	Curtain, C0322
	02-4100-32	Curtain, C0522
8	11-0563-01	Curtain switch
9	11-0563-02	Curtain switch magnet
10	02-4067-01	Side panel support
11	03-1418-30	Mounting screw
12	13-0943-01	Gasket tape, order by foot

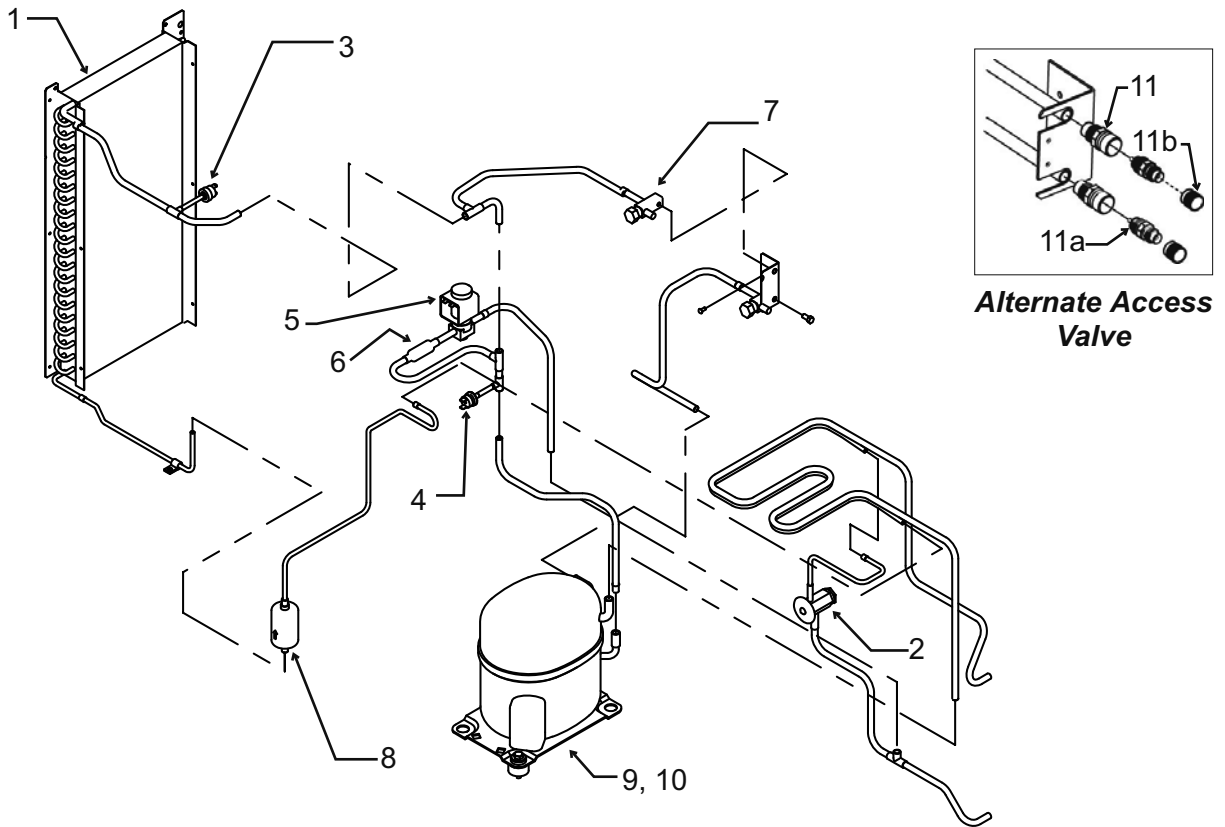
Note: Item 7 includes item 9, shipped loose.

	small cube	medium cube
C0322	A38626-021	A38626-022
C0522	A38627-021	A38627-022

5	A38596-001	Back wall,
6	A39031-021	Ice thickness sensor

C0322 and C0522 Service Parts

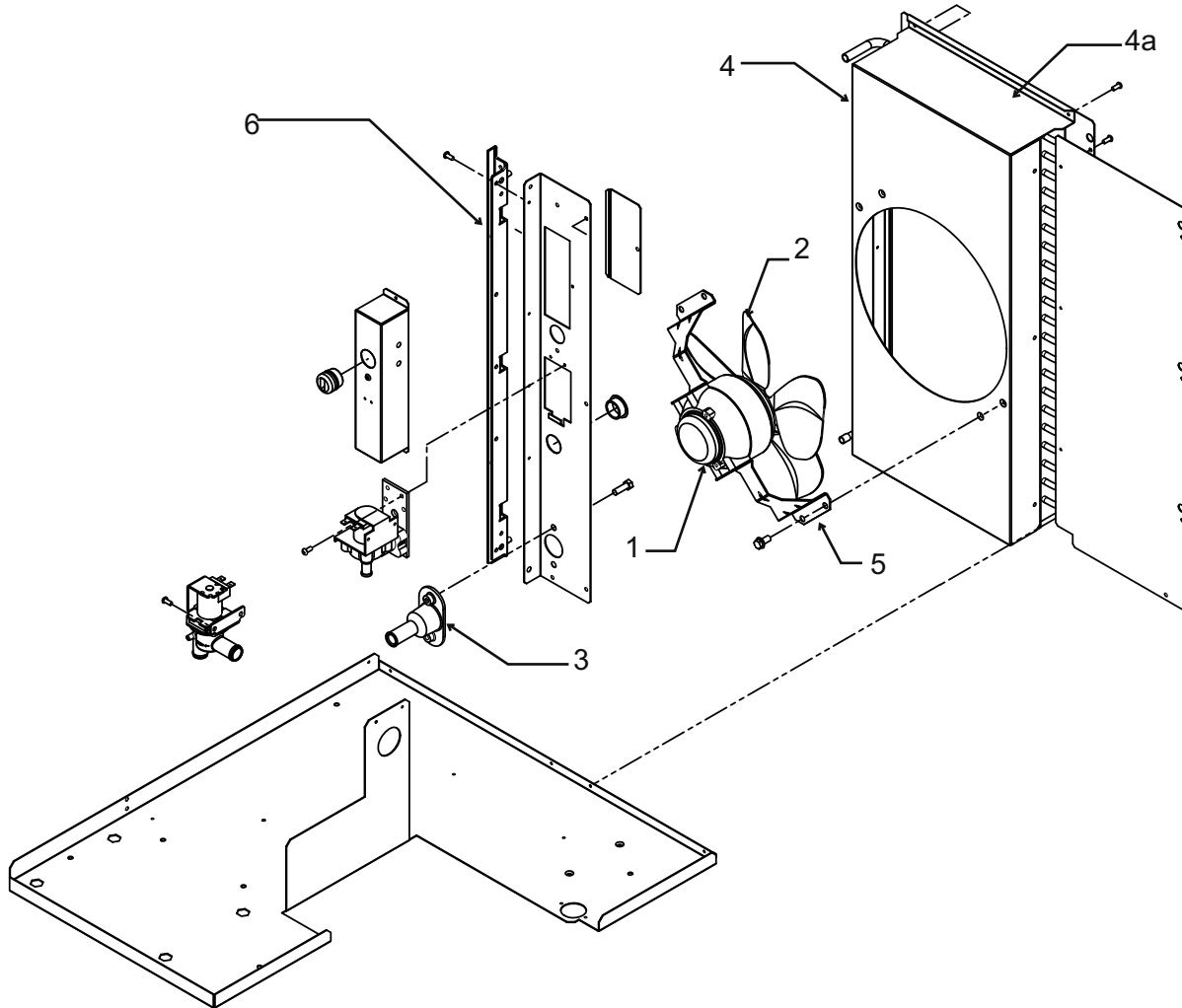
Air Cooled Refrigeration System



Item Number	Part Number	Description	Item Number	Part Number	Description
1	18-8890-01	Condenser, AC	7	16-0832-20	Access valve
2	16-1182-01	TXV, C0522		16-0832-03	Port cap
	16-1117-03	TXV, C0322		16-0832-02	Stem cap
	19-0559-06	Insulation for TXV	8	02-3319-01	Dryer
3	11-0566-21	Fan cycle pressure sw.	9	see page 12	Compressors
4	11-0501-05	Hi pressure cut out	10	see page 12	Compressor mounting hwd
5	11-0493-02	Hot gas valve w/coil, 115 volt	Alternate Access Valve, use began 4/08		
	12-2719-21	115 volt coil only	11	16-1137-01	Valve body
	11-0493-01	Hot gas valve w/coil, 230 volt	11a	16-1139-01	Core
	12-2719-22	230 volt coil only	11b	16-1140-01	Cap
	12-2733-30	HGV rebuild kit			
6	16-1063-01	Strainer			

C0322 and C0522 Service Parts

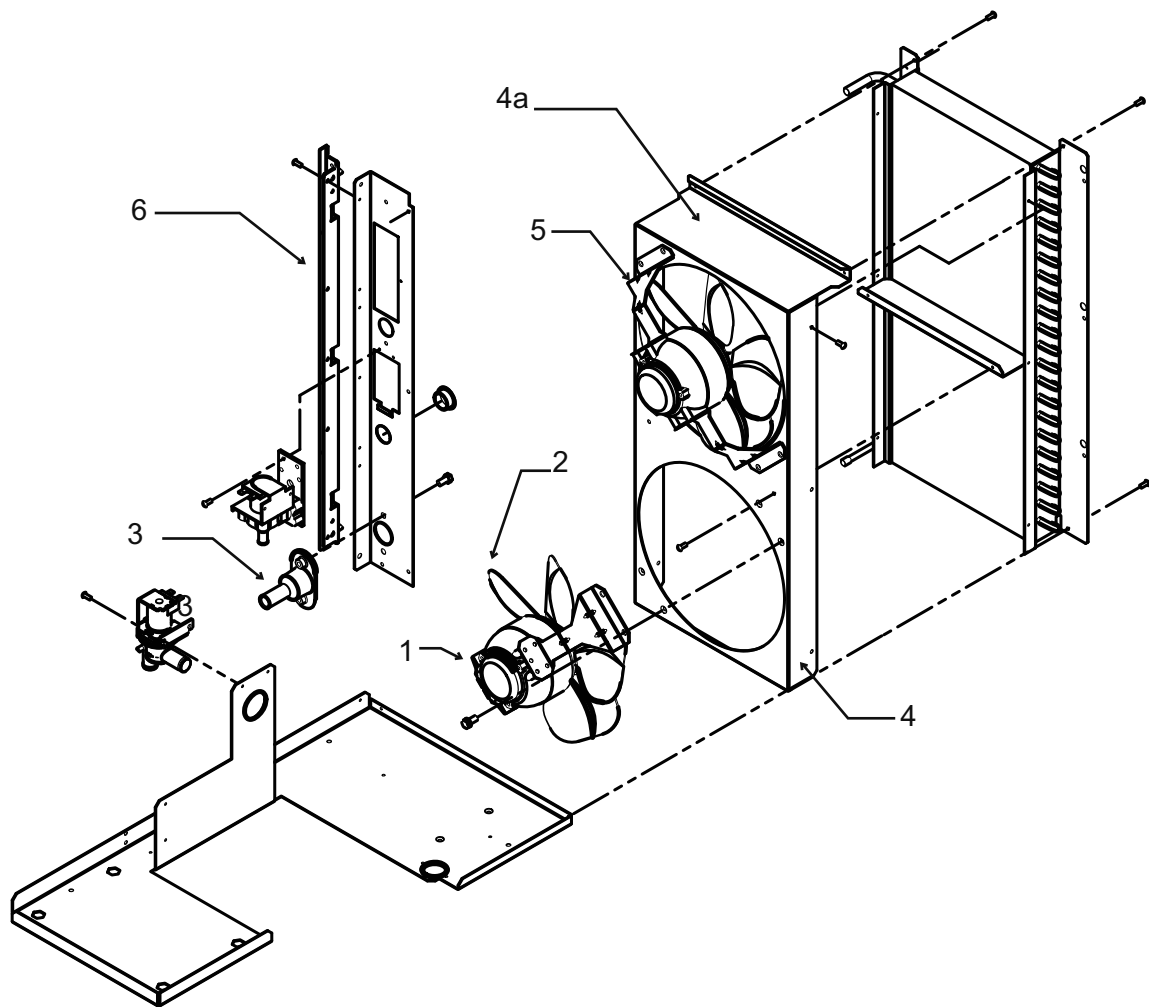
Air Cooled Mechanical & Electrical - C0322



Item Number	Part Number	Description
1	12-1681-23	Fan motor, C0322, 115 volt
	12-1681-04	Fan motor, C0322, 230 volt
2	18-8836-01	Fan blade, C0322
3	02-3692-21	Drain adapter - also for WC and RC
4	A38841-001	Fan shroud, C0322 - A series
	A39350-001	Fan shroud, C0322 - B series
4a	A39593-001	Fan shroud top - B series only
5	A38480-001	Fan motor bracket, C0322
6	02-4067-02	Side panel support

C0322 and C0522 Service Parts

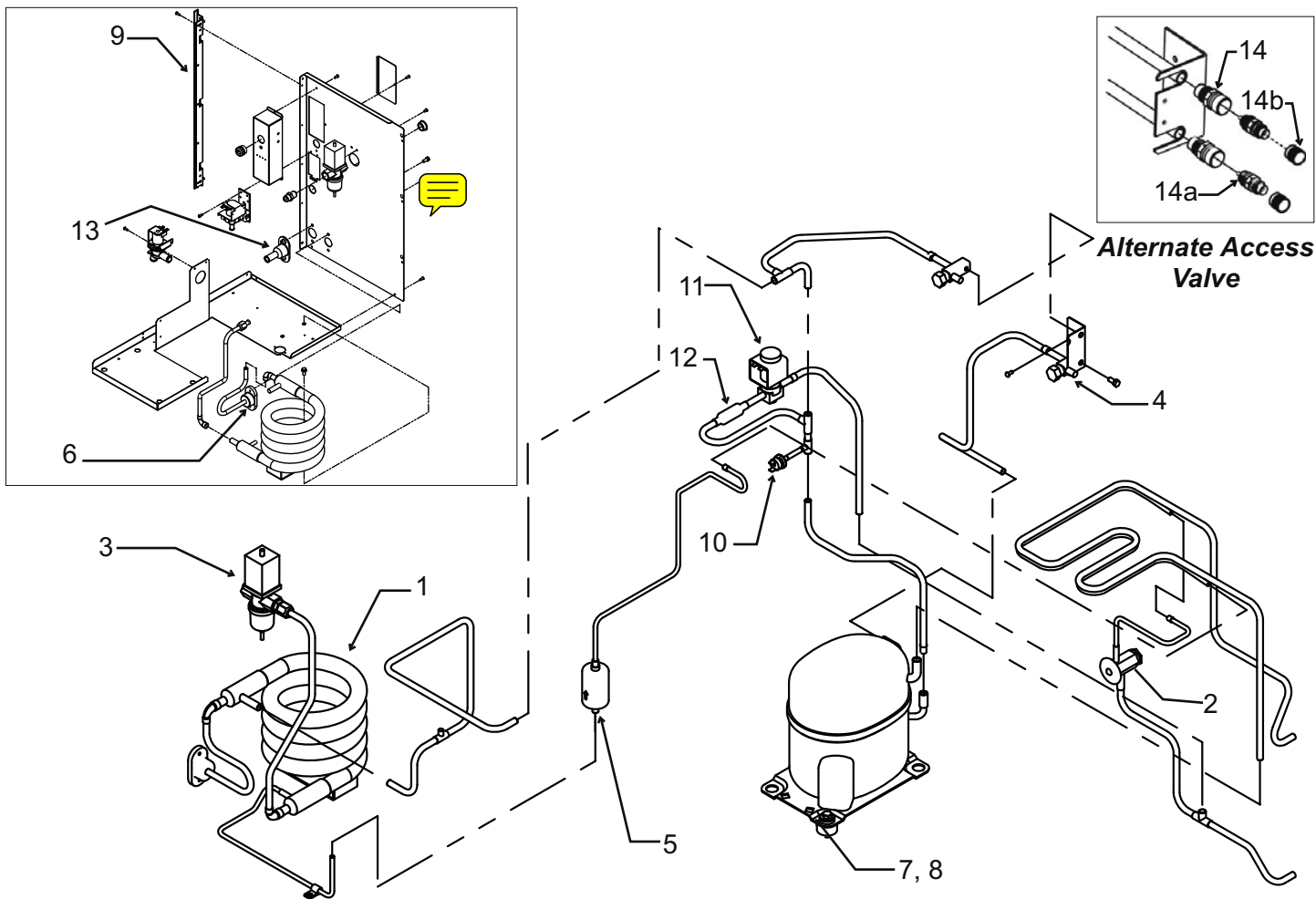
Air Cooled Mechanical & Electrical - C0522



Item Number	Part Number	Description
1	12-1681-23	Fan motor, C0522 115 v
	12-1681-04	Fan motor, C0522 230 volt
2	18-8836-01	Fan blade, C0522
3	02-3692-21	Drain adapter - also for WC and RC
4	A38605-001	Fan shroud - C0522 A Series
	A39351-001	Fan shroud - C0522 B Series
4a	A39593-001	Fan shroud top, C0522 B Series only
5	A38480-001	Fan motor bracket, C0522
6	02-4067-02	Side panel support

C0322 and C0522 Service Parts

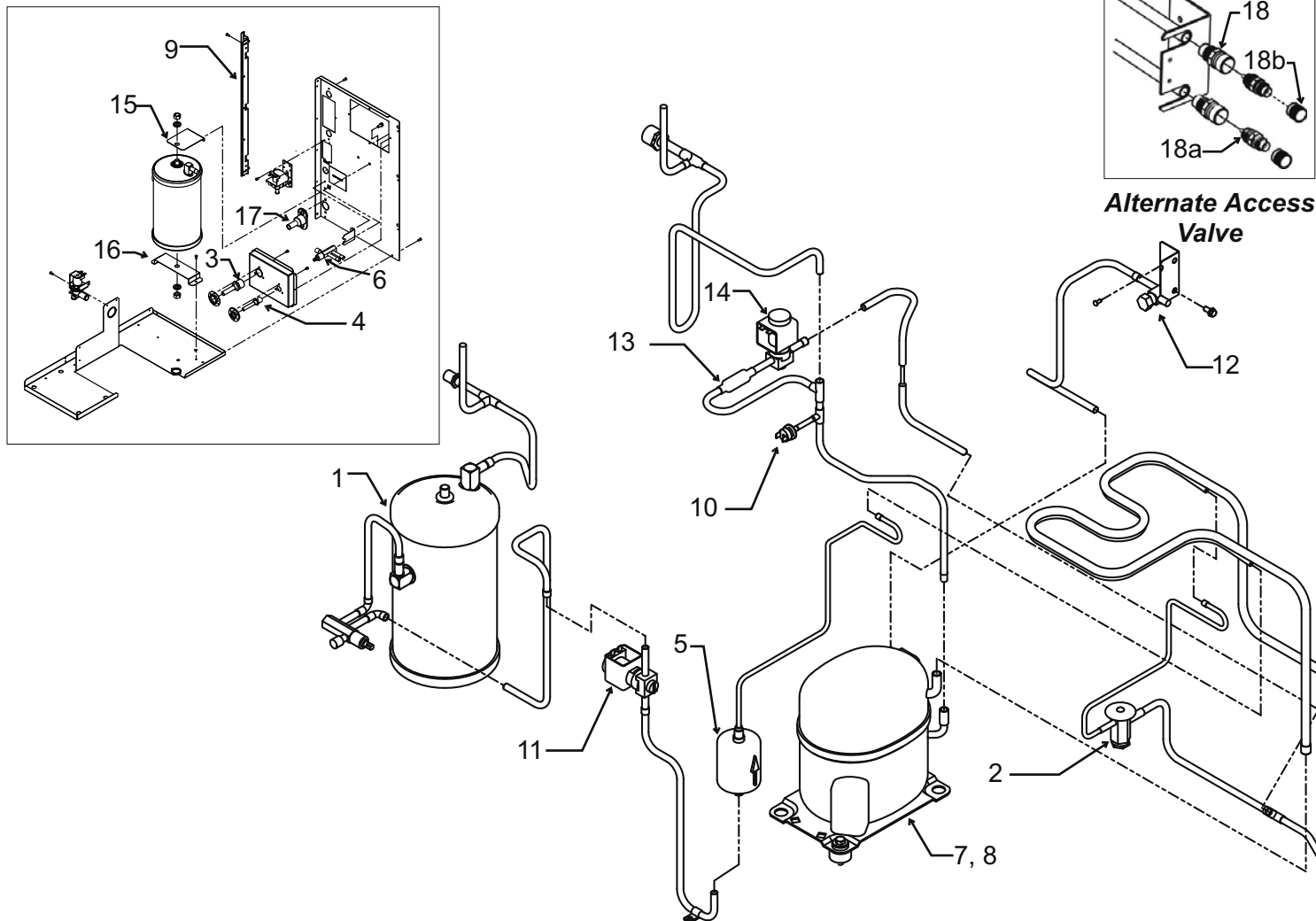
Water Cooled Refrigeration System



Item Number	Part Number	Description	Item Number	Part Number	Description
1	18-8871-21	Condenser	10	11-0501-21	High pressure cut out
2	16-1182-01	TXV, C0522	11	11-0493-02	Hot gas valve, 115 volt
	16-1117-03	TXV, C0322	12	12-2719-21	115 volt coil
	19-0559-06	Insulation for TXV		11-0493-01	Hot gas valve & coil, 230 volt
3	11-0478-01	Water regulating valve		12-2719-22	230 volt coil only
4	16-0832-20	Access valve		12-2733-30	HGV rebuild kit
	16-0832-03	Port cap	12	16-1063-01	Strainer
	16-0832-02	Stem cap	13	02-3692-21	Drain adapter
5	02-3319-01	Drier		Alternate Access Valve, use began 4/08	
6	A31828-002	Condenser drain	14	16-1137-01	Valve body
7	see page 12	Compressors	14a	16-1139-01	Core
8	see page 12	Compressor mounting hdw	14b	16-1140-01	Cap
9	02-4067-01	Side panel support			

C0322 and C0522 Service Parts

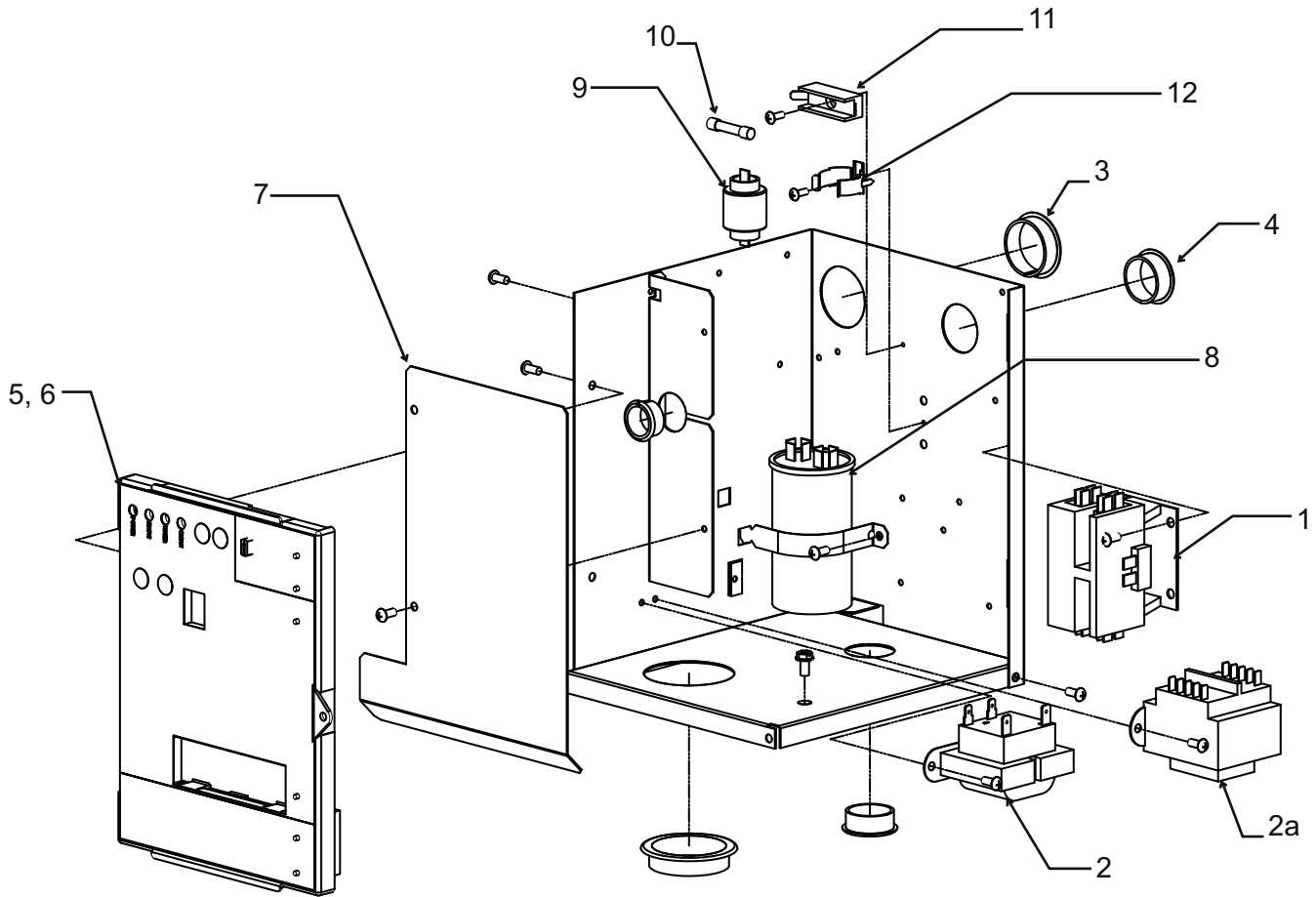
C0522 Remote Refrigeration System



Item Number	Part Number	Description	Item Number	Part Number	Description
1	16-1176-01	Receiver	11	11-0493-02	Liquid line valve or HGV, 115 volt
2	16-1182-01	TXV	12	16-0832-20	Access valve
	19-0559-06	Insulation for TXV		16-0832-03	Port cap
3	16-0850-01	Discharge quick connect		16-0832-02	Stem cap
4	16-0850-03	Liquid quick connect	13	16-1063-01	Strainer
5	02-3319-02	Drier	14	11-0493-02	Hot gas valve
6	16-1030-01	Liquid line access valve	15	A37211-001	Top receiver bracket
7	see page 12	Compressors	16	A37212-001	Bottom receiver bracket
7a	12-2942-01	Crankcase heater	17	02-3692-21	Drain adapter
8	see page 12	Compressor mounting hdw	Alternate Access Valve, use began 4/08		
9	02-4067-01	Side panel support	18	16-1137-01	Valve body
10	11-0501-22	High pressure cut out	18a	16-1139-01	Core
			18b	16-1140-01	Cap

C0322 and C0522 Service Parts

Electrical & Control Box



Item Number	Part Number	Description	Item Number	Part Number	Description
1	12-2469-03	Contactor, 115 volt	9	see next page	PTCR -
	12-2469-02	Contactor, 230, single ph	10	12-2686-01	Fuse, 50 Hz only
2	12-2924-01	Transformer, 115 volt	11	12-2687-01	Fuse holder
	12-2924-02	Transformer, 230 volt	12	18-8835-02	Bracket
2a	12-2639-01	Transformer, 50 Hz	Wiring Harnesses (not illustrated)		
3	12-1213-11	Snap bushing	13	12-2931-01	Power harness, A & W
4	12-1213-15	Snap bushing		12-2931-02	Power harness, Remote
5	11-0550-28	Service controller, fits all Prodigy cubers	Power harness connects to J1 on controller		
6	02-4076-01	Control box door	14	12-2932-01	Hi voltage harness, A & W
	02-4189-01	Overlay label		12-2933-01	Hi voltage harness, Rem
7	A39216-001	Barrier		12-2971-01	Hi voltage, 50 Hz A & W
8	see next page	Run capacitor	Hi voltage harness has the 8 pin connector		
			15	12-2928-01	WLS harness

C0322 and C0522 Service Parts

Compressors

Model	Electrical	Compressor	Overload	Run Capacitor	PTCR
C0322-1	115/60/1	18-8897-21	18-8897-23	18-1902-53	18-8835-01
C0322-6	230/50	18-8897-26	18-8897-28	18-1902-57	18-8835-01
C0322-32	208-230/60/1	18-8897-22	18-8897-27	18-1902-57	18-8835-01
C0522-1	115/60/1	18-8921-21	18-8921-23	18-1902-45	18-8835-01
C0522-6	230/50	18-8921-26	18-8774-27	18-1902-52	18-8835-01
C0522-32	208-230/60/1	18-8921-22	18-8774-28	18-1902-52	18-8835-01

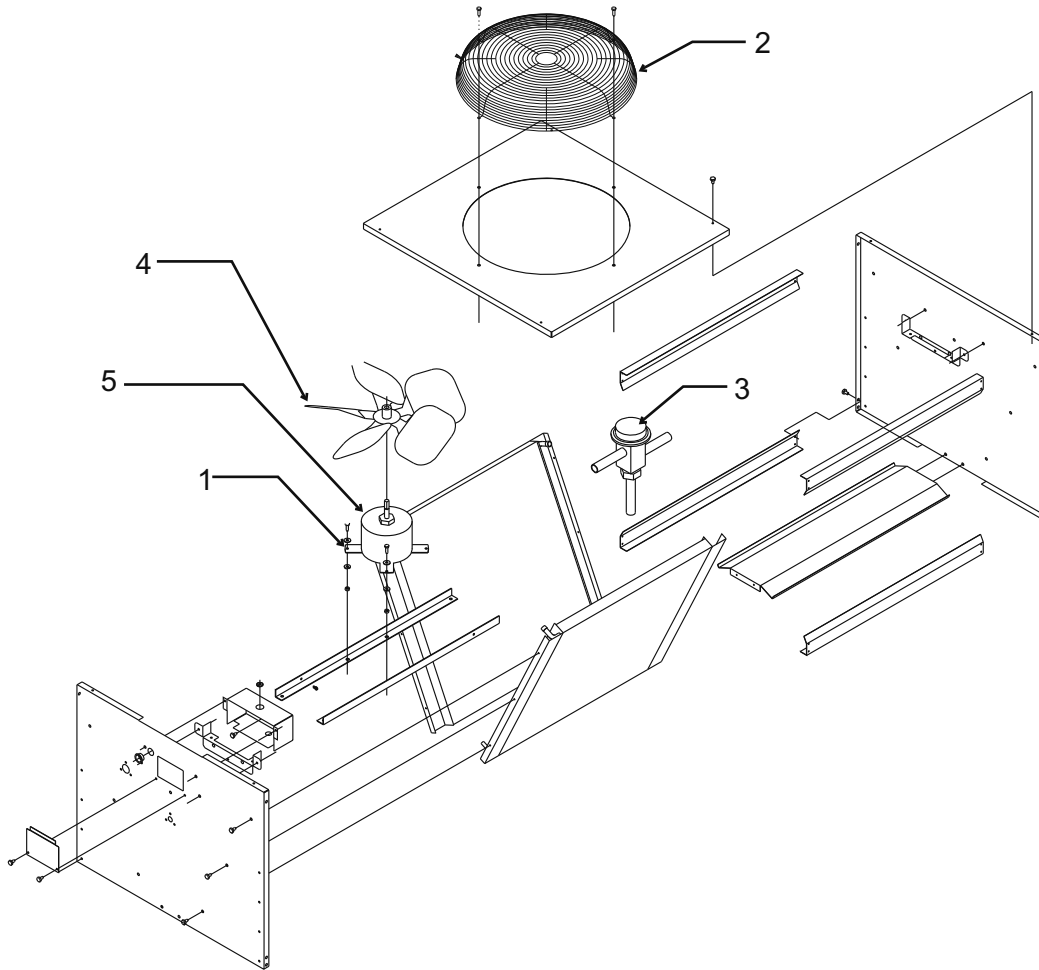
Note: Service compressors include run capacitor, overload, PTCR and drier.

Compressor Mounting Hardware

Model	Bolt	Washer	Grommet	Sleeve
C0322	03-1405-20	03-1407-07	18-4700-28	18-0108-41
C0522	03-1405-20	03-1407-07	18-4700-28	18-0108-41

C0322 and C0522 Service Parts

Remote Condenser, ERC111, ERC211



Item Number	Part Number	Description
1	03-1405-08	Screw
2	02-3575-01	Fan guard
3	16-1044-01	Headmaster
4	18-8816-01	Fan blade
5	12-2651-02	Fan motor - 115 volt (ERC111 and ERC211)

Not Shown:

A37169-001	Leg
A37170-001	Leg brace
03-1645-01	Screw for legs
16-0850-01	Quick connect, discharge
16-0850-03	Quick connect, liquid