



SERVER
SERVE BETTER™

MIX-N-SERVE™ 05550 THERMOSTAT SETTING PROCEDURE

Server Products Inc. claims no responsibility for actual serving temperature of product. It is the responsibility of the user to ensure that any product is held and served at a safe temperature.

To set thermostat:

- 1 PRESS BOTH SWITCHES TO "OFF" POSITIONS.
- 2 UNPLUG CORD.

Caution- Hot:

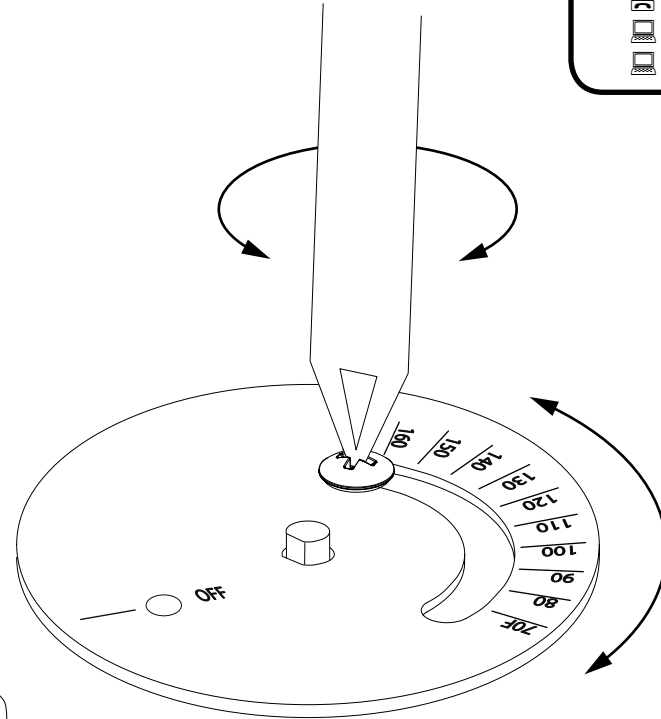
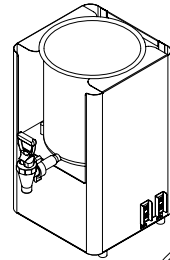
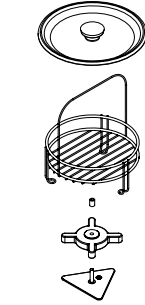
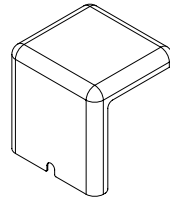
If unit has already been in use, unit may still be hot. Allow unit to cool before continuing.

- 3 REMOVE COVER, LID, BASKET AND FOOD PRODUCT.
- 4 TURN UNIT OVER TO REST UPSIDE DOWN ON COUNTERTOP OR TABLE.
- 5 LOOSEN SCREW SECURING THERMOSTAT LOCKS/DIALS, BUT DO NOT REMOVE SCREW.
- 6 SET THERMOSTAT AT RECOMMENDED PRODUCT SERVING TEMPERATURE; ROTATE THERMOSTAT LOCK/DIAL BY HAND TO DESIRED TEMPERATURE.
- 7 TIGHTEN SCREW TO LOCK THERMOSTAT SETTING.

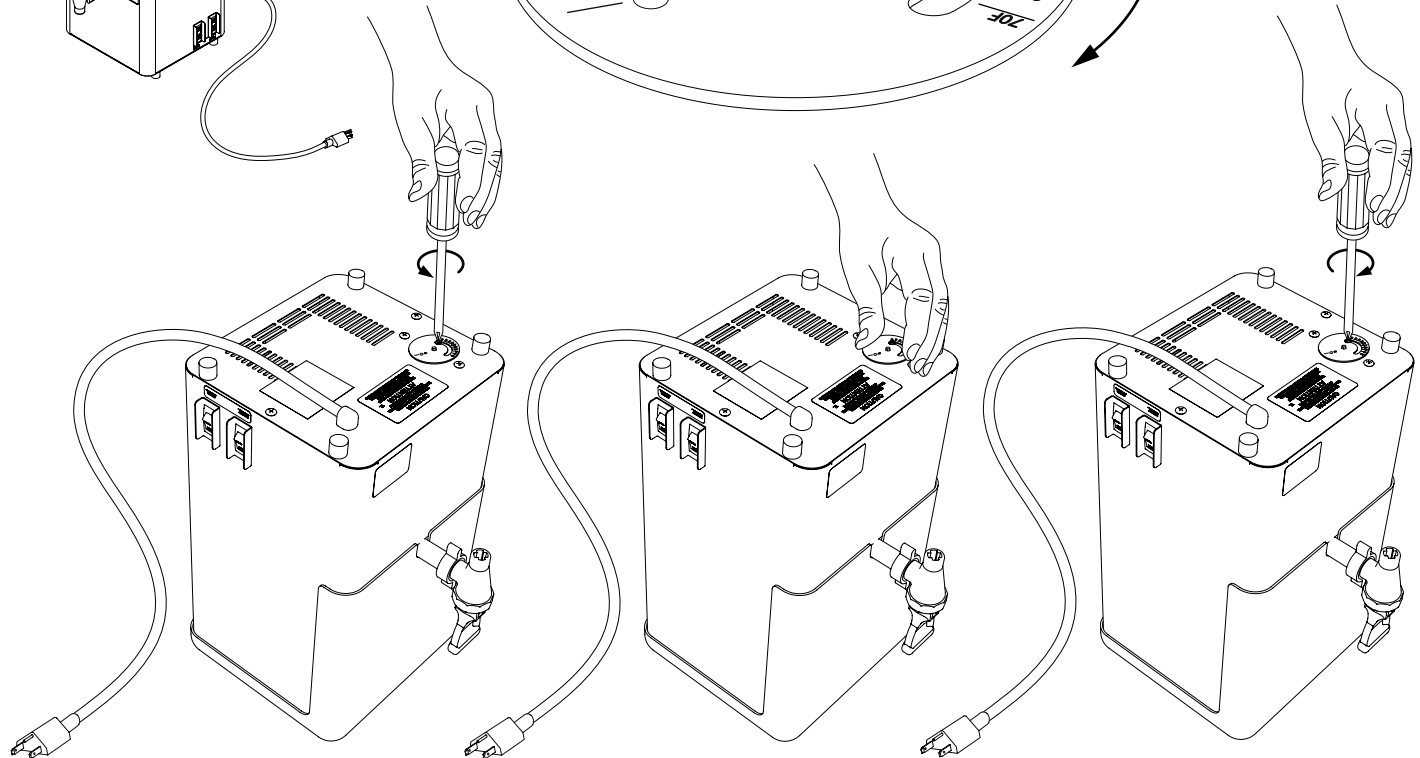
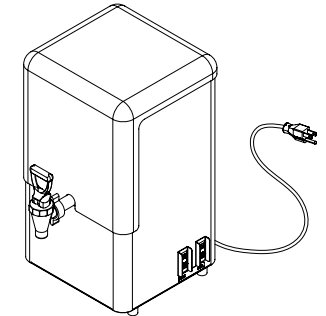
If unit is not heating properly, prior to returning for any Warranty work, please reset the thermostat to ensure proper unit heating.

TO RESET THERMOSTAT; ROTATE THERMOSTAT LOCK/DIAL BY HAND. ROTATE CLOCKWISE COMPLETELY AND THEN ROTATE COUNTERCLOCKWISE COMPLETELY.

THEN SET AND LOCK THERMOSTAT.



**MNS
MIX-N-SERVE™
120V
Series 05C
05550**



Server Products Inc.
3601 Pleasant Hill Road
Richfield, WI 53076 USA

262.628.5600
800.558.8722
262.628.5110

spsales@server-products.com
www.server-products.com