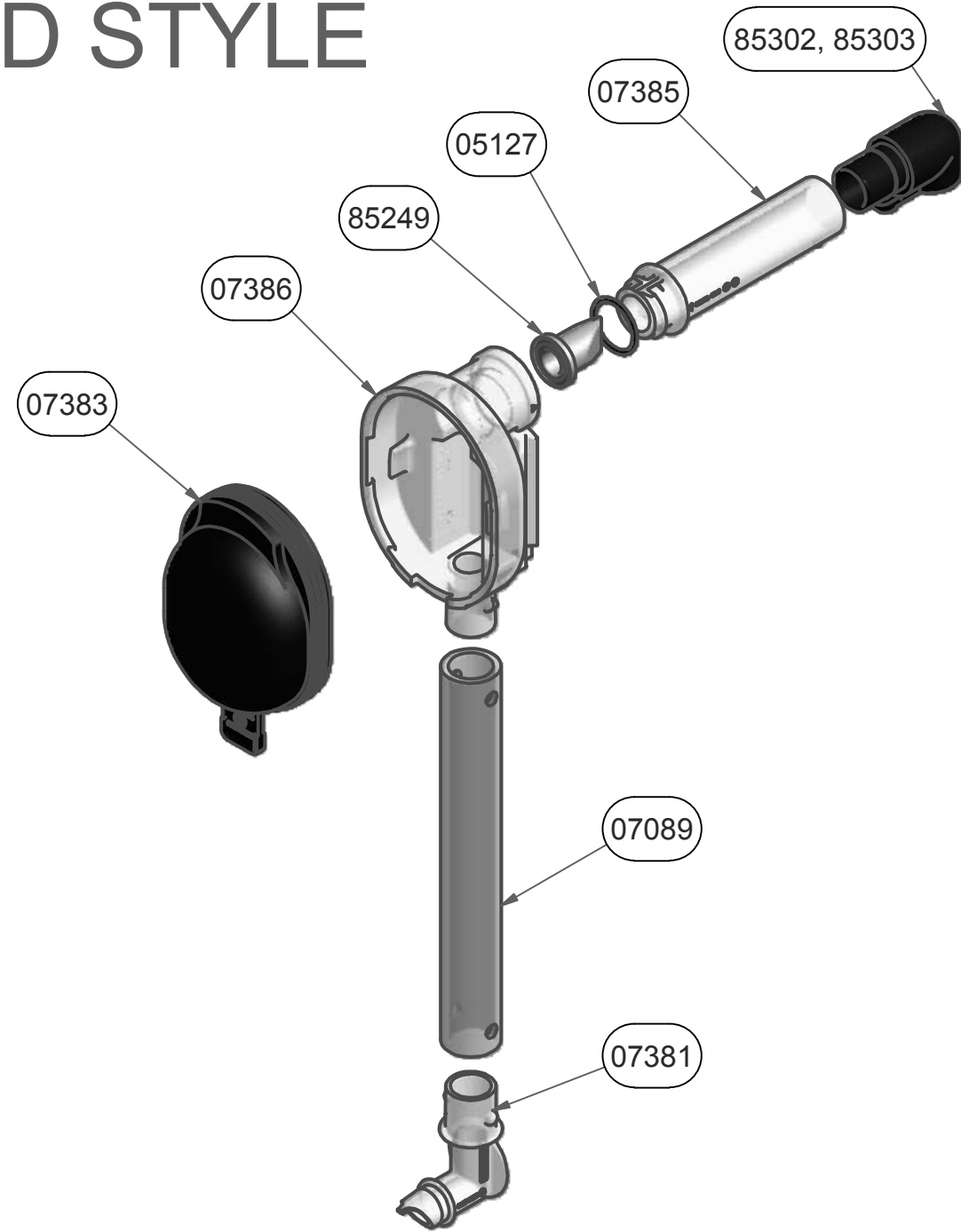
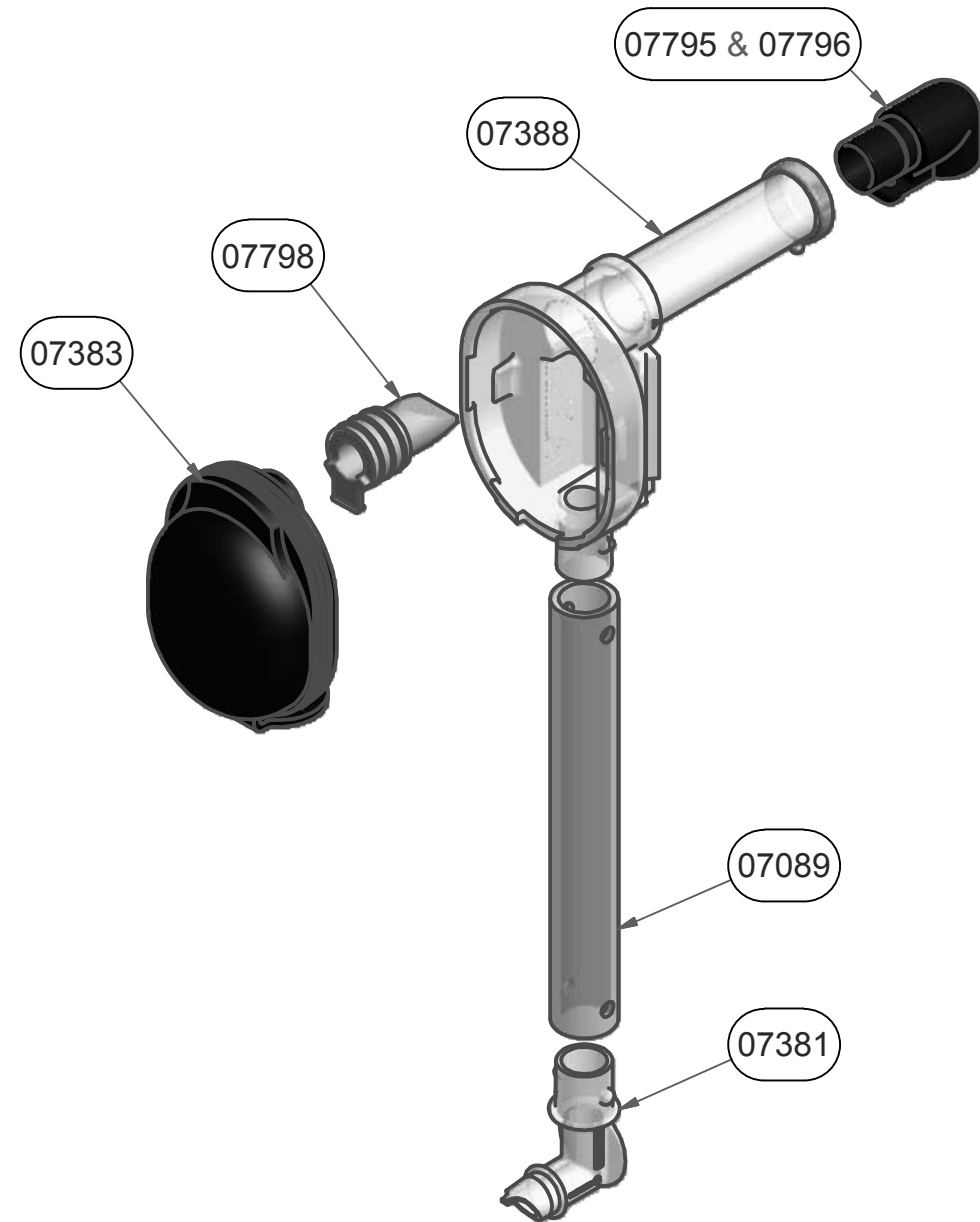


OLD STYLE



NEW STYLE



APPD BY		MATERIAL:	
CKD BY		TOLERANCES UNLESS OTHERWISE SPECIFIED	#
DRAWN BY	DCK	FRAC ±1/64 DEC .00=±.01 .000=±.005 ANG ±1°	\$
DATE	10/26/10	Server Products, Inc RICHFIELD, WI 53076 USA 800-558-8722	
SCALE	FULL	PART NAME	SIZE DWG NO.
		PUMP, ADA, PINCH VALVE, LONG	B 07726