



S E R V E R

SERVE BETTER™

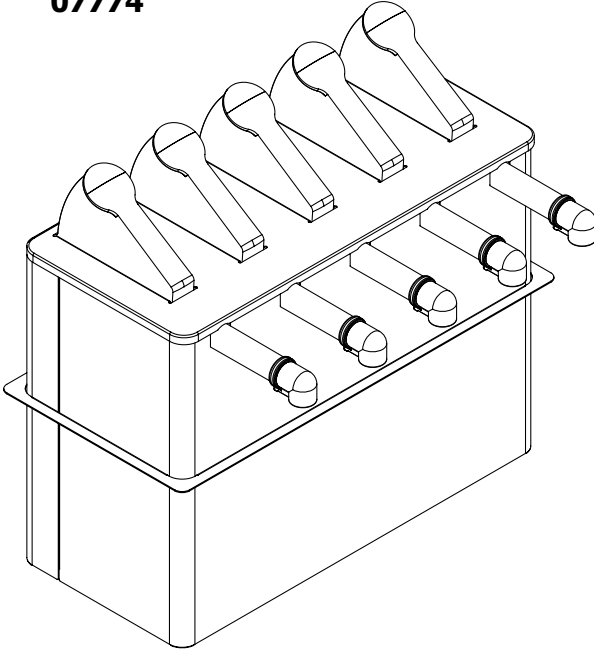
01666-REVD-100715

Refer to manuals 01534 and 01671
for complete and additional detailed information.

MODEL:

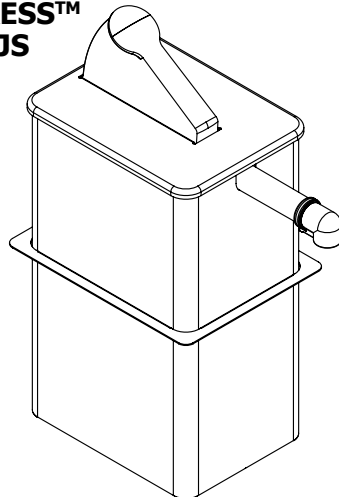
SLE-5DI

**SERVER EXPRESS™
SLIM QUINTUPLE, DI, #2, LJS
07774**

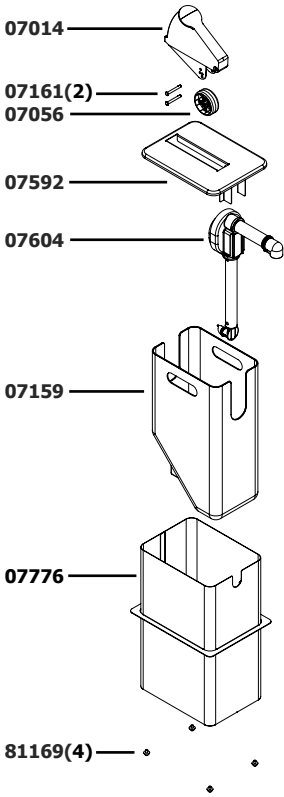


SE-SS

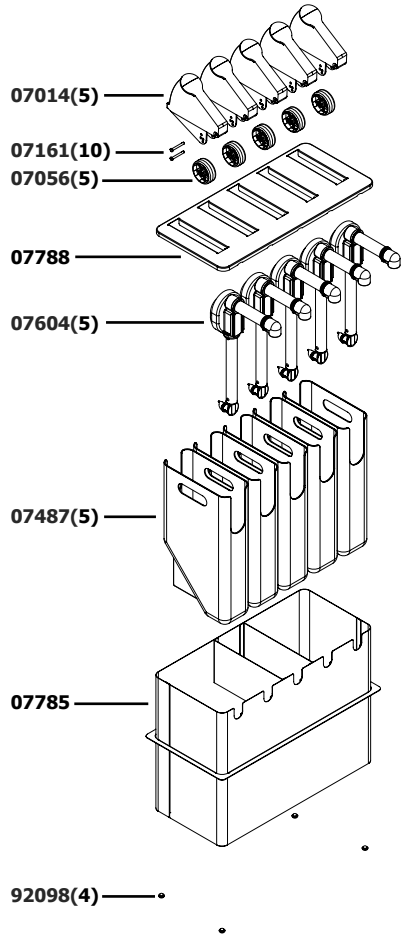
**SERVER EXPRESS™
SINGLE, DI, LJS
07775**



**SE-SS
SERVER EXPRESS™
SINGLE, DI, LJS
07775**



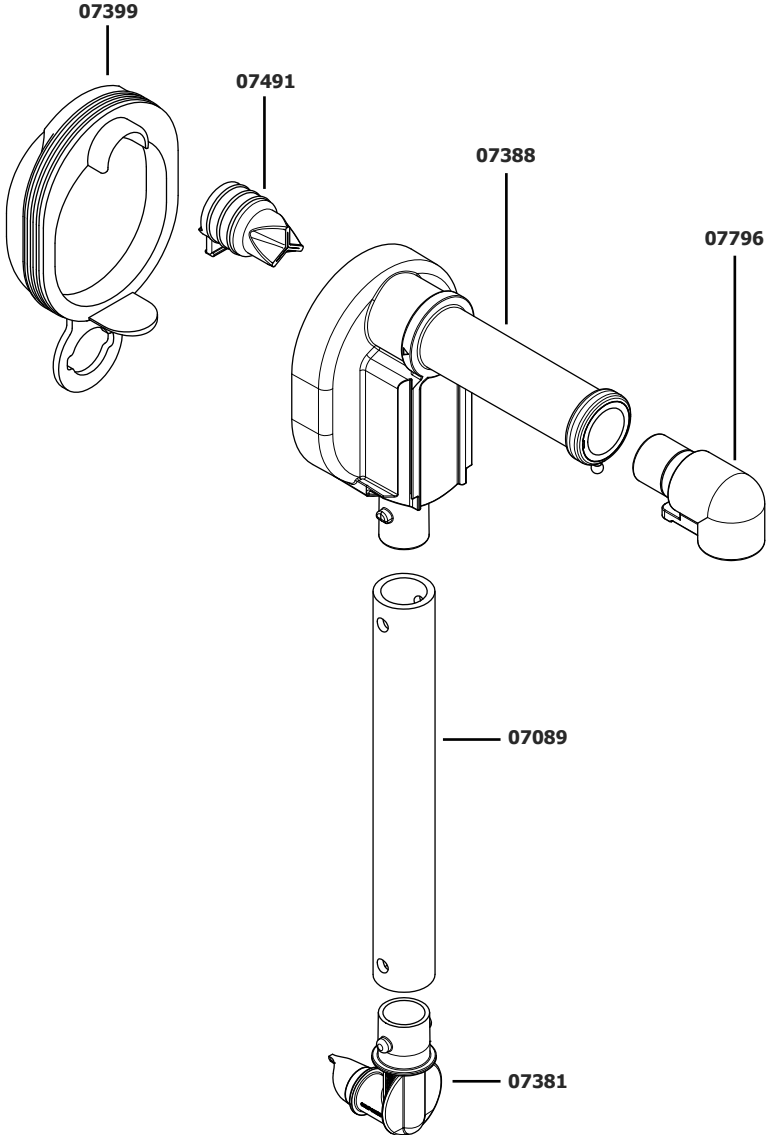
**SLE-5DI
SERVER EXPRESS™
SLIM QUINTUPLE, DI, #2, LJS
07774**



07014	LEVER
07056	ROLLER
07159	SUPPORT, POUCH, EXPRESS
07161	PIN, HINGE, SLIC
07487	SUPPORT, POUCH, EXPRESS, NARROW
07592	LID, WELDED ASSEMBLY
07604	PUMP, ADA, PINCH VALVE, 55 DURO DOME
07776	SHROUD ASSEMBLY
07777	DECAL, KETCHUP
07785	SHROUD ASSEMBLY
07786	DECAL, QUINTUPLE, LJS-WHITE
07788	LID
81169	FOOT, W/SCREW
82049	BRUSH
92098	FOOT, RUBBER, BUTTON

**SERVER EXPRESS™ PUMP
ADA, PINCH VALVE,
55 DURO DOME
07604**

Part	Description
07089	TUBE, PLASTIC, 7"
07381	CONNECTOR, 16MM
07388	HOUSING, PUMP ASSEMBLY, CLR
07399	DOME, PUMP, .281, 55 DURO
07796	FITTING, DISCHARGE, .256-MEDIUM
07491	VALVE, PINCH, TRILOBE



GENERAL SERVICE, REPAIR, OR RETURNS

Before sending any item to Server Products for service, repair, or return, contact Server Products customer service to request a **Return Authorization Number**. Merchandise must be sent to Server Products with this number.

Merchandise being returned for credit must be in new and unused condition and not more than 90 days old and will be subject to a 20% (percent) restocking charge. Electrical parts (thermostats, heating elements etc.) are not returnable.

Server Products maintains a fully staffed service department with highly skilled factory trained personnel. Service is extremely prompt. Under normal circumstances, a repaired unit is shipped out the day after it is received. Labor charges are reasonable.

SERVICE

Contact your dealer or Server Products Inc. customer service department for the following:

ORDERING REPLACEMENT PARTS

Be prepared to give this information:

- Model Letters/Name/Numbers
- Part Numbers- P/N
- Series Numbers/Letters
- Part Description

This information and other important data is stamped on the lid or cylinder of pumps or on the bottom or back side of every unit.

SERVER PRODUCTS LIMITED WARRANTY

All Server Products equipment is backed by a two-year limited warranty against defects in materials and workmanship. For complete warranty information go to: **www.server-products.com**



Server Products Inc.

3601 Pleasant Hill Road
Richfield, WI 53076 USA



262.628.5600



800.558.8722



262.628.5110



spsales@server-products.com



www.server-products.com