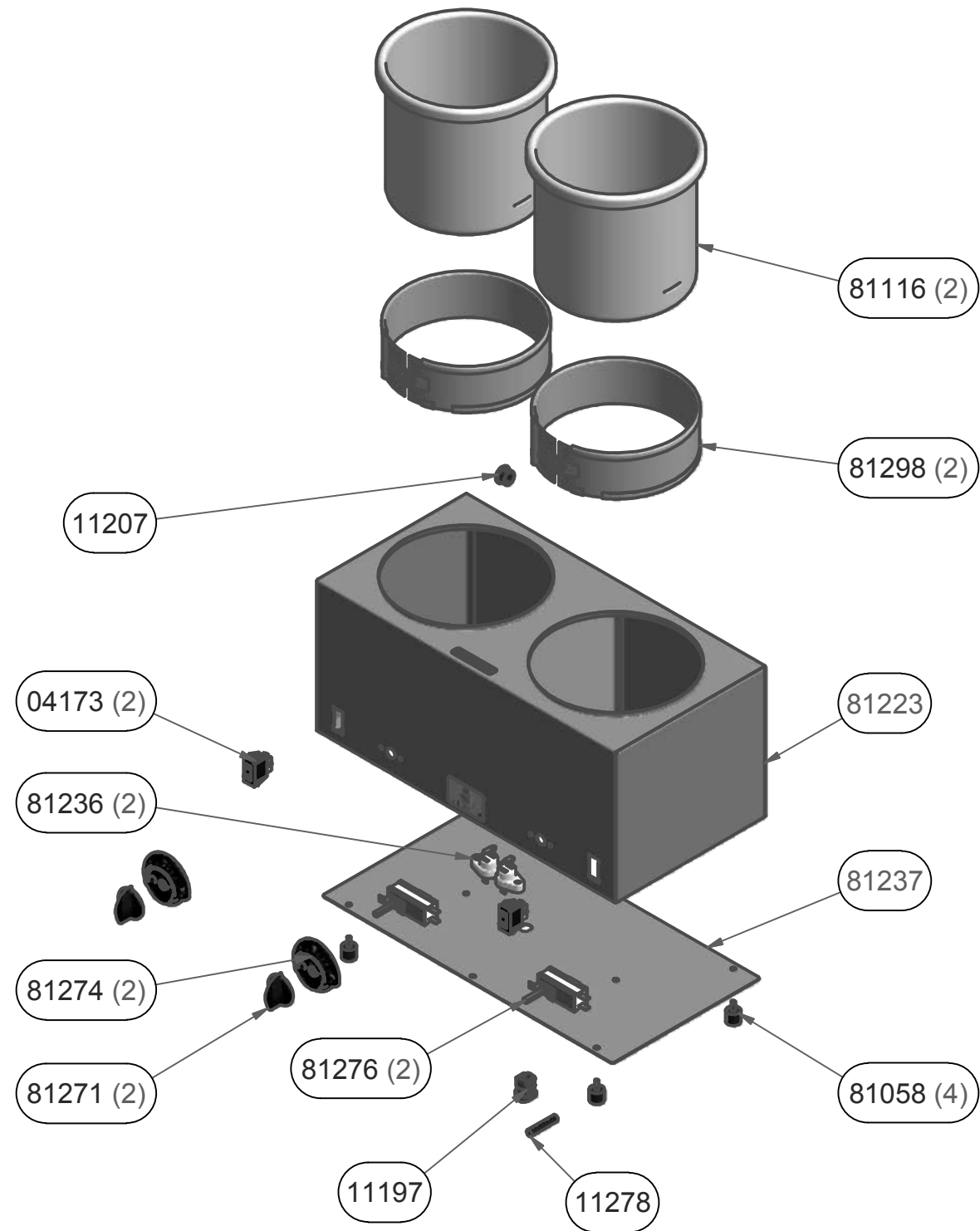
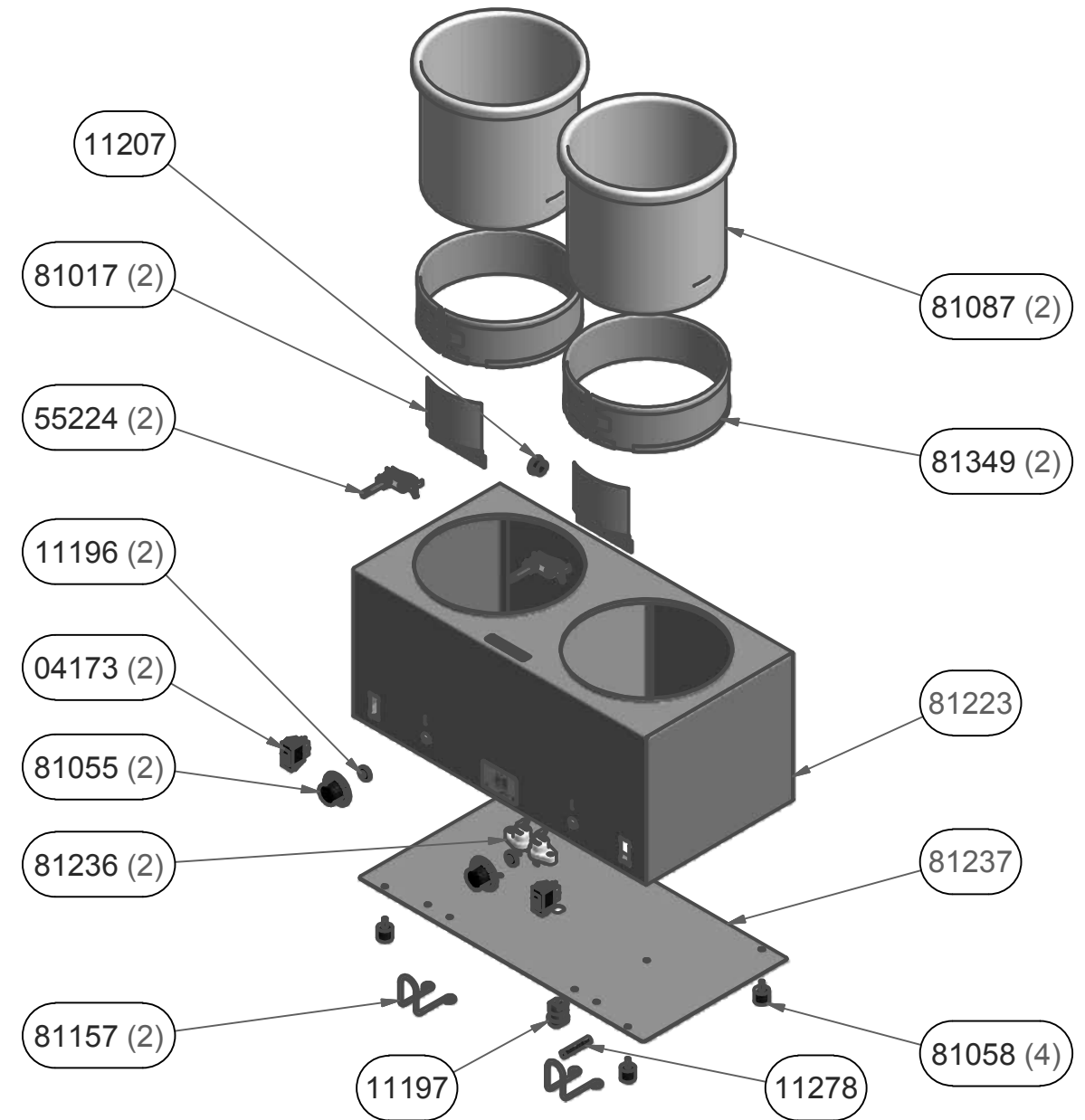


# SERIES 13C



# SERIES PRIOR TO 13C



APPD BY		MATERIAL:	
CKD BY		TOLERANCES UNLESS OTHERWISE SPECIFIED	#
DRAWN BY	DCK	FRAC ±1/64 DEC .00=±.01 .000=±.005 ANG ±1°	§
DATE	06/10/92	<b>Server Products, Inc</b> RICHFIELD, WI 53076 USA 800-558-8722	
SCALE	FULL	PART NAME	SIZE DWG NO.
		BASE ONLY FOR TWIN FS-4 (230V)	B 80370