



SERVER

Server Products, Inc.
 3601 Pleasant Hill Road PO Box 98
 Richfield WI 53076 USA
 Direct | 262.628.5600 Toll Free | 800.558.8722
 www.server-products.com

Model Name

BASE ONLY FOR FSPW-SS (230V)

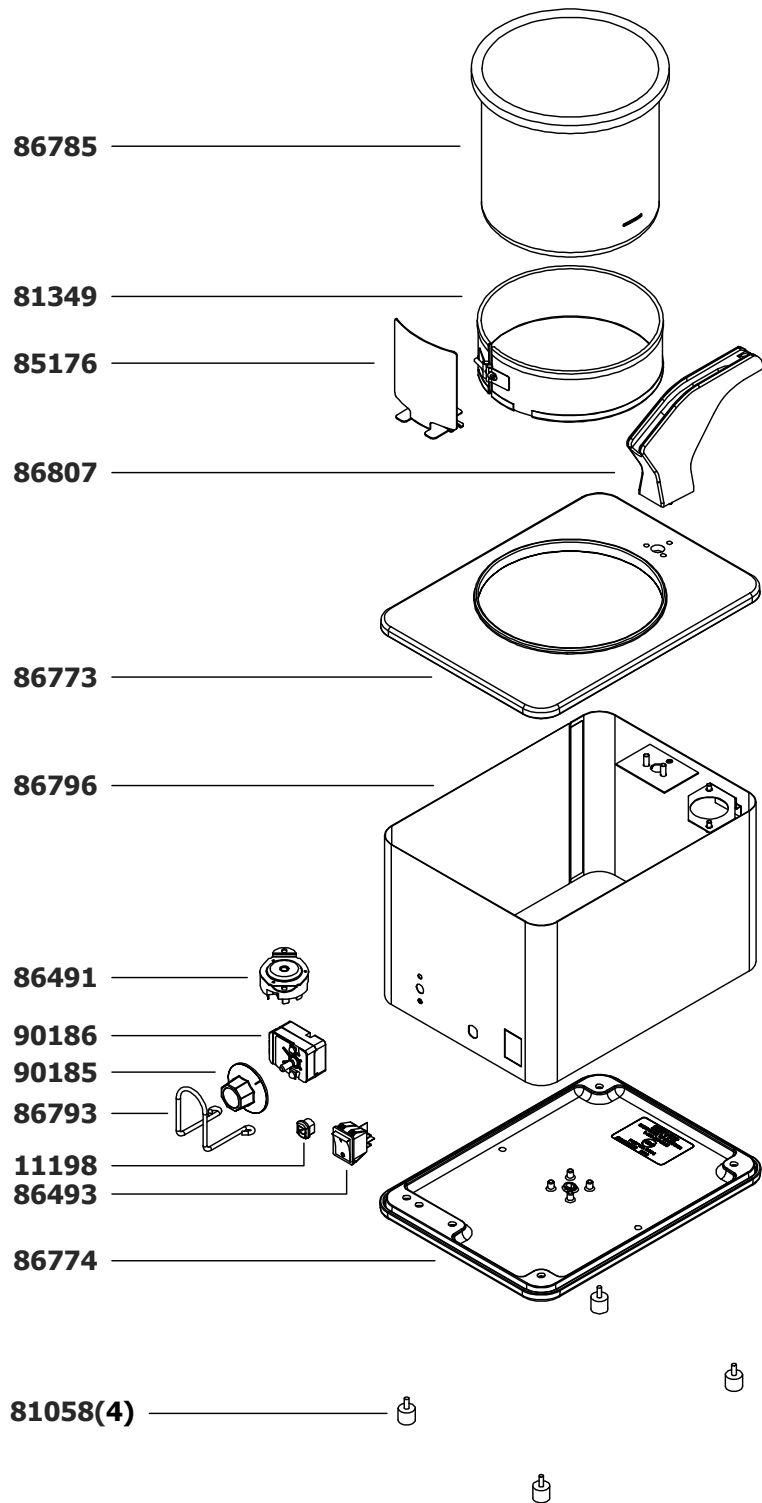
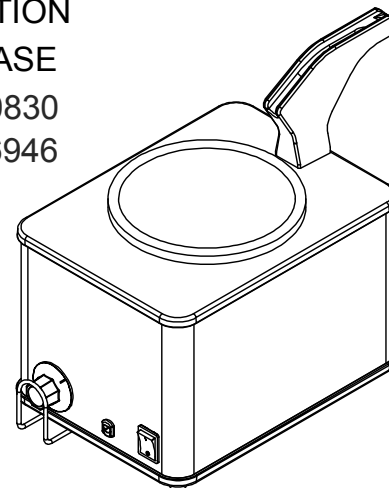
Model Number

80830

Dwg. Date
02/19/14

FINAL & BASE ONLY TABULATION

COUNTRY	FINAL	BASE
CONT EURO	80840	80830
BRAZIL	86947	86946



PART	QTY	DESCRIPTION
11198	1	BUSHING, STRAIN RELIEF
11619	1	CORD ASSEMBLY (CONT EURO)
81058	4	FOOT, W/SCREW
81349	1	HEATING ELEMENT REPLACEMENT KIT 230V 500W
85176	1	BRACKET, THERMOSTAT BULB
86491	1	CUT-OUT, THERMAL, 150C
86493	1	SWITCH, SNAP-IN ROCKER, 250V
86773	1	TOP, FSPW-SS
86774	1	BASE, FS-4SS, 230V
86785	1	VESSEL, WATER ASSEMBLY, 4 QT
86793	1	GUARD, KNOB
86796	1	SHROUD ASSEMBLY
86807	1	KIT, REPL HEATER BLOCK ASSY, SS230V
90185	1	KNOB, THERMOSTAT
90186	1	THERMOSTAT, 15", 110C