



SERVER

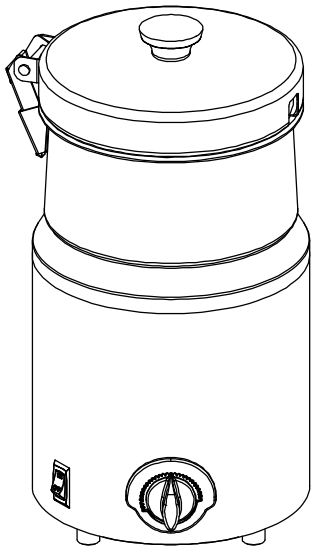
**Server Products Inc.**  
3601 Pleasant Hill Road  
Richfield, WI 53076 USA

262.628.5600 | 800.558.8722

SPSALES@SERVER-PRODUCTS.COM

# 81000

## Food Server FS-4 Plus



Complete View  
for Reference

PART	QTY	DESCRIPTION
81111	1	INSET & LID ASSEMBLY, 5 QT (CONSISTS OF 81096 LID ASSEMBLY & 81108 INSET)
81096	1	LID ASSEMBLY <i>LID CONSISTS OF:</i>
82023	1	KNOB
81072	1	LID & BRACKET ASSEMBLY
81105	1	PIN, COTTERLESS HINGE
81075	1	SPRING, HINGE
81073	1	HINGE
81108	1	INSET & SOCKET ASSEMBLY, 5 QT
80970	1	BASE ONLY FOR FS-4 <i>BASE CONSISTS OF:</i>
81278	1	VESSEL, WATER ASSEMBLY
81037	1	CUT-OUT, THERMAL ASSEMBLY, 184°C, 9.36"
81276	1	THERMOSTAT, 21", 100°C
81297	1	ELEMENT, HEATING, 120V, 500W
81009	1	SHROUD ASSEMBLY
04544	1	SWITCH, SNAP-IN ROCKER
11201	1	BUSHING, STRAIN RELIEF, 18/3
11230	1	CORD ASSEMBLY, 18GA
81273	1	PLATE, TEMP INDICATOR, FS-4
81271	1	KNOB, THERMOSTAT
81058	4	FOOT, WITH SCREW

