



S E R V E R

SERVE BETTER™

IntelliServ™ 1/3-Size Pan Warmer

MODEL: IS-1/3

120V USA

86090

120V USA

86254 (custom)

120V Canada

86481

100V Japan

86479

230V

Continental Europe

86338

230V Australia

86339

230V United Kingdom

86341

230V Brazil

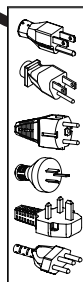
86478



Thank You

...for purchasing our IntelliServ™ warmer. Its digital temperature control ensures accurate holding of toppings and sauces from the first serving to the last.

DON'T COMPROMISE YOUR MENU—INTELLISERV™!



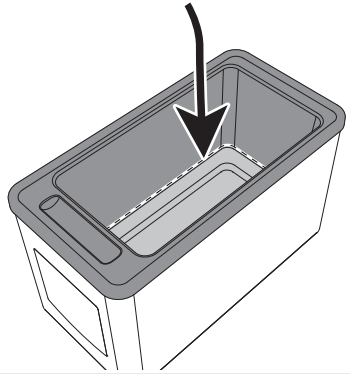
UNIT SET-UP

WASH ALL PARTS PROPERLY BEFORE EVERY USE. See page 5.

1 FILL UNIT BASIN WITH WATER

- Fill 1 liter of water up to fill-line-ridge inside basin.

TIP: Check water levels throughout the holding period to ensure even heating. Filtered water is recommended to deter corrosion.

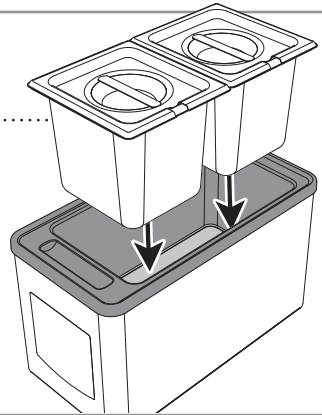


2 PUT PAN(S) INTO BASIN

- Product being served must always be inside pan(s).....

Never place food directly into basin of unit.

TIP: Food pan(s) not included—modular design lets you choose pan(s), pump(s) or high-temp squeeze bottles for your food application. See page 11.



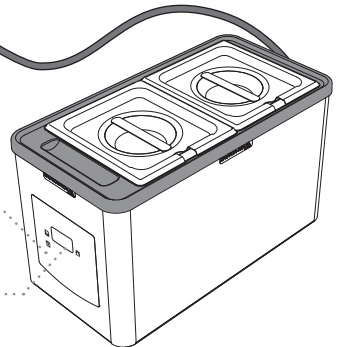
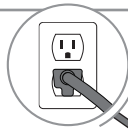
3 PLUG CORD

into power source.

4 PRESS POWER BUTTON

to turn unit on.

UNITS WITH 230 VOLTS also have a power switch. Press to ON position.



5 SET THERMOSTAT

to recommended serving temperature.

- Press Down ▼ or Up ▲ buttons
- See page 6 for control function details.

SAFETY



WARNING- **ELECTRICAL SHOCK COULD OCCUR**

This unit must be earthed or grounded.
This requires all three prongs (terminals) on cord
plug to be plugged into power source.



According to food and safety regulations, most foods must be stored and/or served at certain temperatures or they could become hazardous. Check with local food and safety regulators for specific guidelines.

Be aware of the product you are serving and the temperature the product is required to maintain. Server Products, Inc. can not be responsible for the serving of potentially hazardous product.

RE THERMALIZATION

Rethermalization of food products is achieved by this appliance when it elevates the food product temperature from a refrigerated 40°F (4°C) to a safe serving temperature of 165°F (74°C) within a period of 2 hours.

1 PRE-HEAT UNIT

- for at least 5 minutes with:
- Correct amount of water in basin.
 - Lid(s) closed.
 - Temperature set at maximum setting.

2 ADD FOOD PRODUCT

- Put food into pans.
- Do not overfill.

3 MAINTAIN SAFE HOT FOOD HOLDING

- After food reaches safe serving temperature of 165°F (74°C), maintain product temperature at or above 150°F (66°C).
- Adjust controller if needed to avoid overheating food.

HOT FOOD HOLDING

Hot Food Holding is achieved with this appliance when it maintains a food product temperature at or above 150°F (66°C), in all locations throughout the product, for a minimum of 2 hours, even if any lid, cover, or pump is removed. The lid, cover, or pump is recommended to help maintain product temperature.

1 PRE-HEAT UNIT

- for at least 5 minutes with:
- Correct amount of water in basin.
 - Lid(s) closed.
 - Temperature set at maximum setting.

2 ADD FOOD PRODUCT

- Put food which has already been preheated to 150°F (66°C) into pans.
- Do not overfill.

MONITOR FOOD CLOSELY FOR FOOD SAFETY.

The United States Public Health Service recommends that hot food be held at a minimum of 140°F (60°C) to help prevent bacteria growth.

COLD FOOD IS NOT TO BE ADDED TO THE UNIT FOR RETHERMALIZATION WHILE HOT FOOD IS BEING HELD.

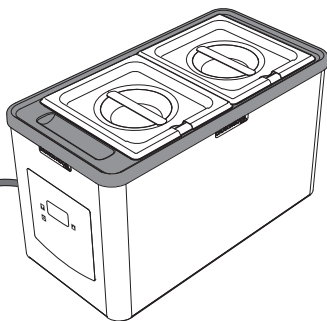
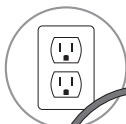


NSF International and ANSI (American National Standards Institute) list this unit as a "Rethermalization and Hot Food Holding unit (Standard 4)."

UNIT TAKE-DOWN

- 1 PRESS POWER BUTTON**
to turn unit off.

UNITS WITH 230 VOLTS
also have a power switch.
Press to OFF position.

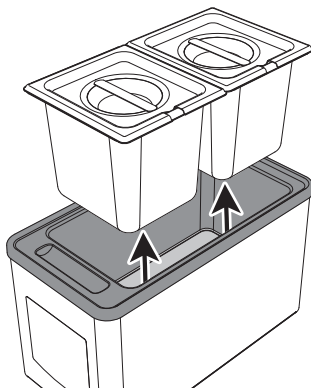


- 2 UNPLUG CORD**

- 3 REMOVE PAN(S) FROM BASIN**



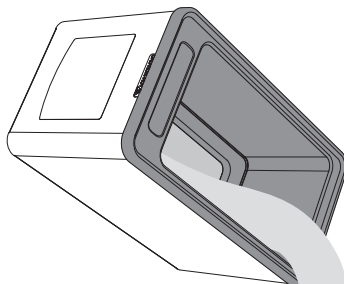
CAUTION- HOT
Allow unit to cool before continuing.



- 4 EMPTY WATER FROM BASIN**
after each use.

TIP: Remember to **empty** the water each day rather than **add**—

This will greatly extend the life of your warmer.



- 5 DRY**
thoroughly with a soft dry cloth.

Proper drying after each use helps maintain the aluminum heat plate and the stainless steel.

CLEANING



WARNING- ELECTRICAL SHOCK COULD OCCUR

- Electrical components of unit could be damaged from water exposure or any liquid.
- Never immerse unit into water or any liquid.
- Never use any water jet or pressure sprayer on unit.
- Ensure unit is “OFF” and unplugged.

CAUTION- HOT

Allow unit to cool before cleaning.



REMOVE LIME SCALE

RECOMMENDED ONCE A MONTH OR AS NEEDED:
Use a non-corrosive lime scale remover to eliminate mineral buildup on the interior of the basin.

This will greatly extend the life of your warmer.

1 CLEAN

- Before first use and after use daily, disassemble and clean unit.
- Ensure unit is “OFF” and unplugged.
- Wash with dishwashing soap and hot water.

2 RINSE

 fully with clear water.

3 SANITIZE

 all parts according to local sanitization requirements. All parts in contact with food must be sanitized.

4 DRY

 all parts fully with a clean soft cloth.

5 CLEAN EXTERNAL SURFACES

- Wipe daily with a clean damp cloth.
- Dry with a clean soft cloth.
- Glass and surface cleaners approved for use in food contact areas may be used.

CARE OF STAINLESS STEEL

This warmer is constructed of stainless steel— one of the best materials for food serving and storage.

If you notice corrosion beginning on any stainless steel surface, you may need to change the cleansing agent, sanitizing agent, or the cleaning procedures you are using.

- A mildly abrasive nylon or brass brush may be used to remove any stubborn food or mineral deposits on interior surfaces of unit.
- Fully rinsing and drying all parts can help prevent corrosion. Elements and minerals in tap water can accumulate on stainless steel parts and create corrosion.
- Do not use abrasive, caustic or ammonia based cleansers.
- Do not use products containing acids, alkalines, chlorine, or salt. These agents can corrode stainless steel.
- Do not use metal scrapers or cleaning pads that could scratch surfaces.

CONTROL FUNCTIONS

DISPLAY MESSAGES

COL

COL = COOL
Heating element is off and cooling down to set temperature.

P-E

PRE = HEAT
Heating element is on and warming up to set temperature.

Err

ERR = ERROR
Control board is not functioning. Repair is required.
(Please see page 12 for repairs.)

Temperature differential between cool and heat is 10° F (5.5°C) of set temperature.
Display will switch between control functions and set temperature until unit stabilizes.

DOWN & UP BUTTONS

Press and hold the Down or Up buttons to cycle through temperature range.

TEMPERATURE RANGES

For most units: 100°F (37°C)–220°F (104°C)
For unit 86254: 135°F (57°C)–220°F (104°C)

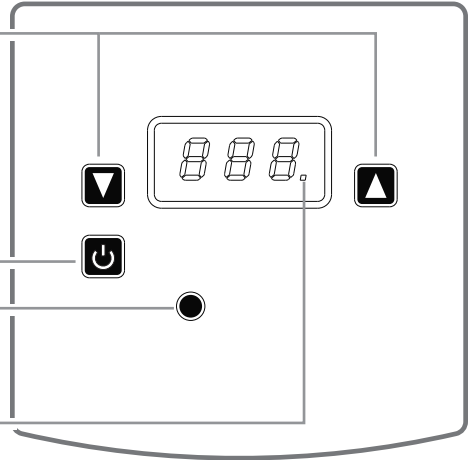
POWER BUTTON On/Off

HEATING INDICATOR


Light indicates heating element is active.

CELSIUS INDICATOR

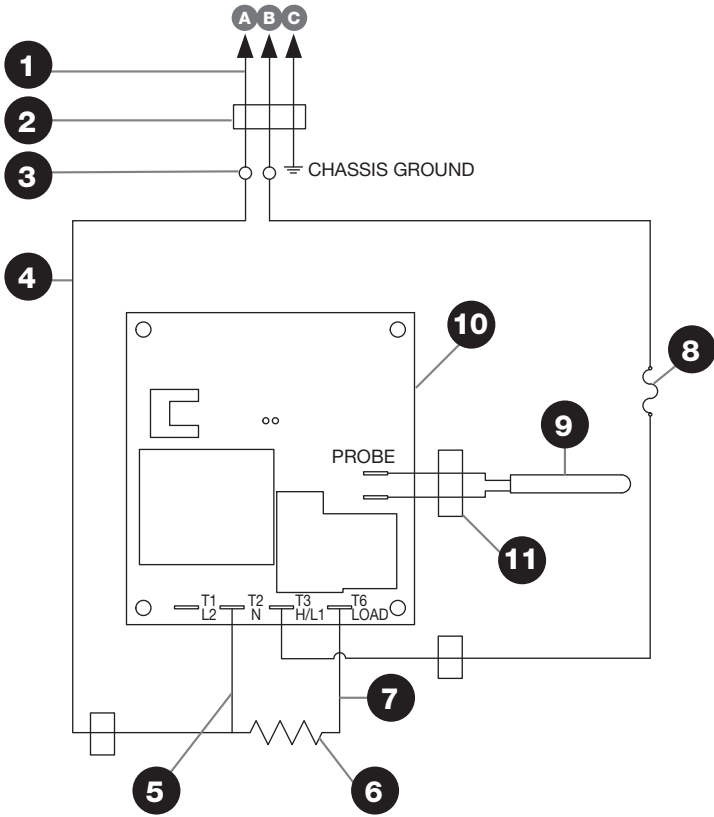
Light indicates temperature display mode is °C.
No light indicates temperature display mode is °F.



TO SET DISPLAY °F OR °C

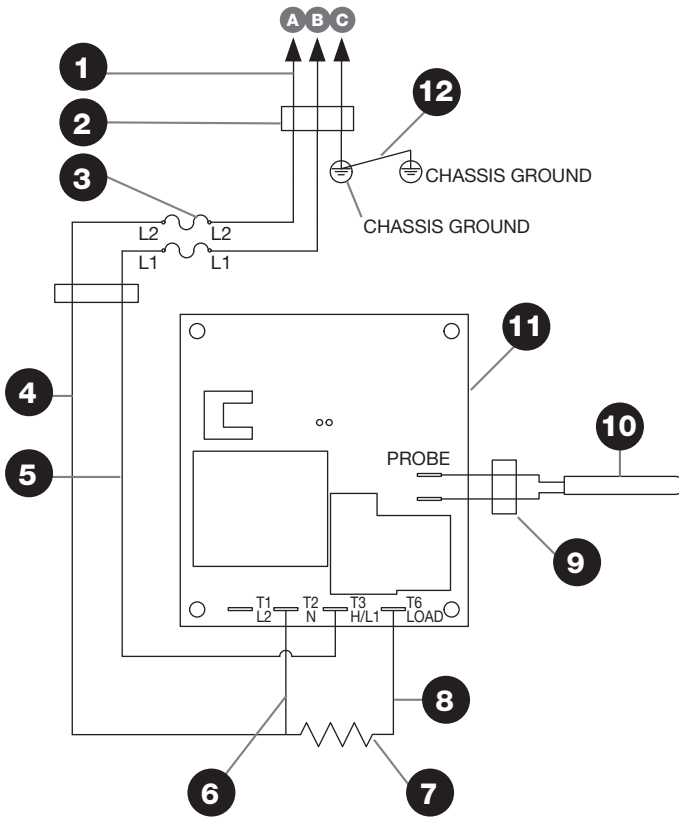
- Turn unit off.
- Press and hold Down button, then simultaneously press and hold Power button for 30 seconds. 
- Celsius indicator will activate to display °C or deactivate to display °F.

WIRING UNITS 86090, 86254, 86481 (120V)



- 1** Cord Assembly
120V USA
 - A** White
 - B** Black
 - C** Green
- 2** Bushing/Strain Relief
- 3** Wire Nut
- 4** 19" White Wire Assembly
- 5** 6" White Wire Assembly
- 6** 500W Heating Element
- 7** 6" Black Wire Assembly
- 8** Thermal Cutout
- 9** Thermistor Assembly
- 10** Temperature Controller
- 11** 3/4 Hole Shorty Bushing

WIRING UNIT 86479 (100V JAPAN)



1 Cord Assembly
100V JAPAN

- A** Blue
- B** Brown
- C** Yellow/Green

2 Bushing/Strain Relief

3 Thermal Cutout

4 4" White Wire Assembly

5 6" Black Wire Assembly

6 6" White Wire Assembly

7 500W Heating Element

8 6" Black Wire Assembly

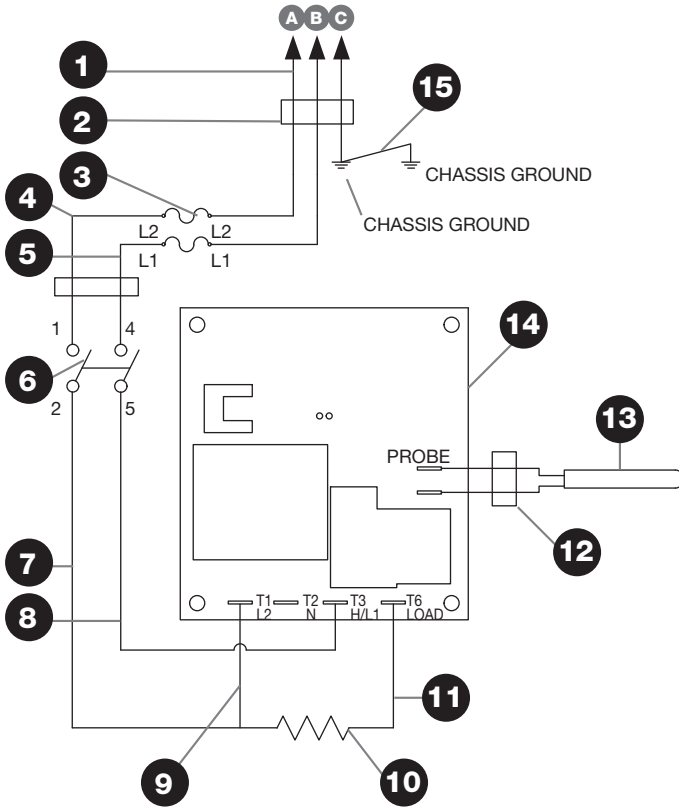
9 3/4 Hole Shorty Bushing

10 Thermistor Assembly

11 Temperature Controller

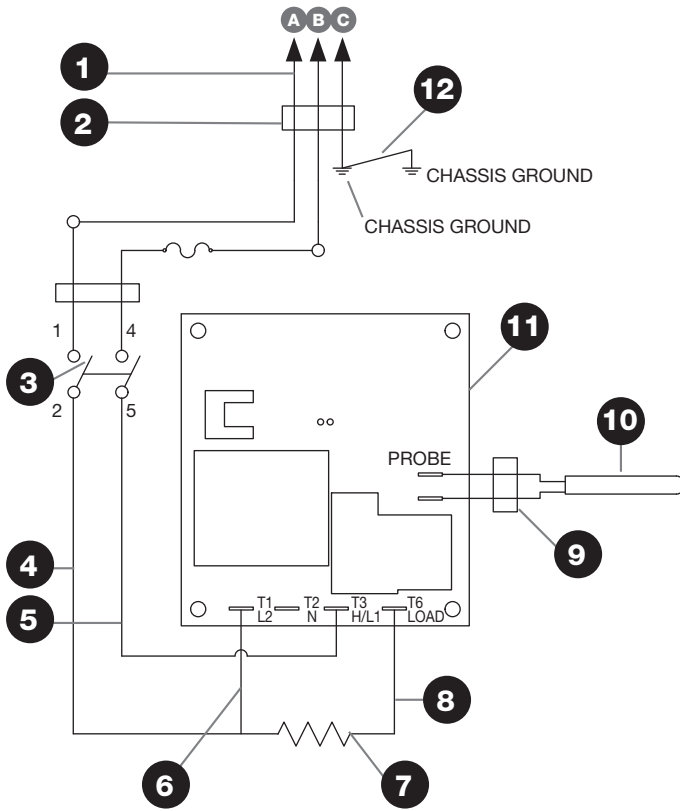
12 5" Green Wire Assembly

WIRING UNITS 86338, 86339, 86341 (CONTINENTAL. EURO, AU, UK)



- 1** Cord Assembly
230V
 - A** Blue
 - B** Brown
 - C** Yellow/Green
- 2** Bushing/Strain Relief
- 3** Thermal Cutout
- 4** 8" White Wire Assembly
- 5** 8" Black Wire Assembly
- 6** Rocker Switch
- 7** 6" White Wire Assembly
- 8** 6" Black Wire Assembly
- 9** 6" White Wire Assembly
- 10** 500W Heating Element
- 11** 6" Black Wire Assembly
- 12** 3/4 Hole Shorty Bushing
- 13** Thermistor Assembly
- 14** Temperature Controller
- 15** 5" Green Wire Assembly

WIRING UNIT 86478 (230V BRAZIL)



1 Cord Assembly
230V BRAZIL

- A** Blue
- B** Brown
- C** Yellow/Green

2 Bushing/Strain Relief

3 Rocker Switch

4 6" White Wire Assembly

5 6" Black Wire Assembly

6 6" White Wire Assembly

7 500W Heating Element

8 6" Black Wire Assembly

9 3/4 Hole Shorty Bushing

10 Thermistor Assembly

11 Temperature Controller

12 5" Green Wire Assembly

ACCESSORY ITEMS

Customize your IntelliServ™ warmer with pans, pumps, ladles or squeeze bottles for topping, finishing or plating.



	<u>PART NUMBER</u>
Stainless Steel FP-1/6 Pump, 1 oz (30 mL)	86312
Magnetic Sign- Fudge	86788
Magnetic Sign- Caramel	86789
1/6-Size Squeeze Bottle Holder w/(3) 16 oz Bottles	87530
1/3-Size, 6" (150mm) Deep Pan, 6 qt (5.7 L)	90083
1/6-Size, 6" (150mm) Deep Pan, 2¾ qt (2.6 L)	90089
1/6-Size Pan Lift-off Lid	90094
Stainless Steel 6" Ladle, 1 oz (30 mL)	87213

TROUBLESHOOTING

UNIT DOES NOT HEAT?

- Ensure cord is securely plugged in.
- Ensure power is available from source.
- Ensure unit is on.
- Ensure thermostat is set correctly.
- Ensure that the correct amount of water is in basin.

UNIT TRIPS THE BREAKER? (GROUND FAULT INTERRUPTER)

- Never expose electrical components to water or liquid. This may result in damage. Unit may not function.

If electrical components have gotten wet:

- Turn off unit and unplug.
- Allow unit to dry completely.

SERVER PRODUCTS LIMITED WARRANTY

2
YEAR
WARRANTY



Server Products equipment is backed by a two-year limited warranty against defects in materials and workmanship.

For complete warranty information go to:

www.Server-Products.com

GENERAL SERVICE, REPAIR OR RETURNS

Before sending any item to Server Products for service, repair, or return, contact Server Products customer service to request a **Return Authorization Number**. Merchandise must be sent to Server Products with this number. Service is extremely prompt. Typically, units are repaired and ship out within 48 hours.

Merchandise being returned for credit must be in new and unused condition and not more than 90 days old and will be subject to a 20% restocking charge. Electrical parts (thermostats, heating elements, etc.) are not returnable.

Servicing Cord: Specific tools are required for safe and proper power supply cord removal and installation. If cord must be replaced, only a representative of the OEM (original equipment manufacturer) or a qualified technician may replace cord. Cord must meet code designation H05 RN-F requirements.

NEED HELP?

Server Products Inc.

3601 Pleasant Hill Road
Richfield, WI 53076 USA



262.628.5600 | 800.558.8722



SPSALES@SERVER-PRODUCTS.COM

Please be prepared with your **Model, Part and Series Numbers**. This information and other important data is located on the base of the unit.