



SERVER

Server Products, Inc.
 3601 Pleasant Hill Road PO Box 98
 Richfield WI 53076 USA
 Direct | 262.628.5600 Toll Free | 800.558.8722
 www.server-products.com

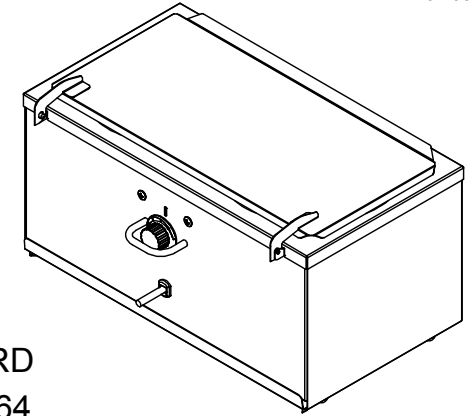
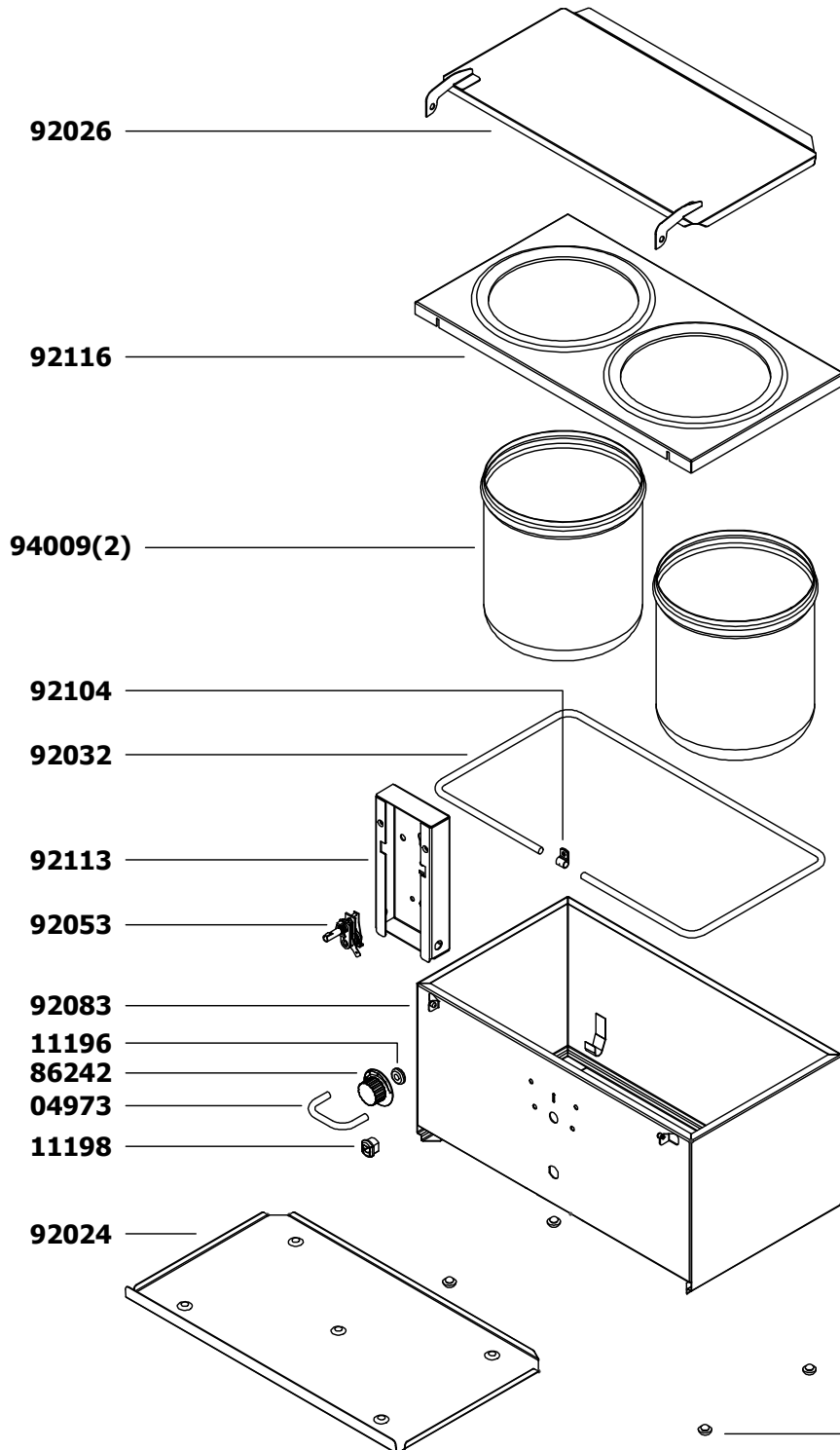
Model Name

DOUBLE DIP SERVER DI-2 (230V)

Model Number

92030

Dwg. Date
07/03/13



FINAL & CORD TABULATION

COUNTRY	FINAL	CORD
CONT EURO	92030	11264
AUST	92080	11266
UK	92240	11291

PART	QTY	DESCRIPTION
04973	1	GUARD, KNOB
11196	1	GROMMET, 1/4, RUBBER
11198	1	BUSHING, STRAIN RELIEF
11264	1	CORD ASSEMBLY (CONT EURO)
86242	1	KNOB, THERMOSTAT
92024	1	BOTTOM, REMOVABLE
92026	1	LID ASSEMBLY
92032	1	ELEMENT, HEATING, 230V 120W
92053	1	THERMOSTAT, 38C (THERMOSTAT KIT #55053 FOR SERIES 81 TO PRESENT)
92083	1	BODY ASSEMBLY
92098	4	FOOT, RUBBER, BUTTON
92104	1	CLAMP, GROUND
92113	1	GUARD, WIRE
92116	1	TOP, DI-2
94009	2	JAR, STNLS

92098(4)