

Technical Manual and Replacement Parts List

Monarch Upright Refrigerator



MODEL SKM23R

SILVER KING REFRIGERATION INC.

1600 Xenium Lane North, Minneapolis, MN 55441-3787
Phone (763) 923-2441

SILVER KING®

Specifications Subject to Change Without Notice.



TECHNICAL MANUAL
SILVER KING MONARCH UPRIGHT REFRIGERATOR
MODEL SKM23R

Thank you for purchasing Silver King food service equipment. Our goal is to provide our customers with the most reliable equipment in the industry today. Please read this manual and the accompanying warranty information before operating your new Silver King unit. Be sure to complete and mail the warranty card within 10 days of purchase to validate your warranty.

INSPECT FOR DAMAGE AND UNCRATE

Upon delivery of your new Silver King unit, uncrate at once to examine and test for possible damage following the instructions printed on the exterior of the container. Report any damages to the carrier responsible for transportation and promptly present a claim for any evidence of mishandling. Save all packaging materials if a claim must be filed.

INSTALLATION

The stainless steel exterior and interior of the cabinet has been protected by a plastic covering during manufacturing and shipping. This covering can be readily stripped before installation. After removing this covering, wash the interior and exterior surfaces using a warm, mild soapy water solution and a sponge or soft cloth. Rinse afterward with clean water and wipe dry. Do not use chlorinated cleaners.

Location

When locating your new Silver King unit, convenience and accessibility are important considerations, but the following installation guidelines must be observed;

- Always avoid locating the unit adjacent to an oven, heating element or hot air source which could adversely affect the performance of the unit.
- The unit must be level.
- For proper ventilation, the top and back of the unit must not be obstructed. A minimum clearance of 6 inches is required on the top and 4 inches is required in the back. The supplied angle bracket must be installed on the top of the unit to prevent accidental obstruction caused by setting large objects on top of the unit. Installation instructions are shown on the Angle Bracket.

Legs/Casters

The unit comes with legs or casters. To install them, tip the unit on its back and thread the legs or casters into the four plates in the base of the unit. Make sure that they are installed tightly to prevent future thread wear. Periodically check for tightness.

Shelves

Inside the unit you will find Shelves and a plastic bag containing the Shelf Supports. The Shelf Supports mount on the Pilasters that are already mounted inside the unit. This shelf system allows for easy adjustment to suit your needs.

Door Adjustment and Swing

Should the door ever require straightening, loosen the screws on the hinges, square the door with the cabinet and retighten the screws.

The mounting of the door is reversible on single door units should space or convenience require that you do so. Simply remove the screws holding the hinges, rotate the door 180 degrees, move the Self Closing Hinge Cartridge to the other end of the door (so that it is located on the bottom of the door after it is rotated), and relocate the hinges on the side opposite their original location.

Electrical Connections

Be sure to check the data plate, located on the liner of the cabinet, for required voltage prior to connecting the unit to a power source. The specifications on the data plate supersede any future discussion.

The standard unit is equipped with an 8 foot power cord that requires a 115 Volt, 60 Cycle, 1 Phase properly grounded electrical receptacle. The power cord comes with a 3 prong plug for grounding purposes. Any attempt to cut off the grounding spike or to connect to an ungrounded adapter plug will void the warranty, terminate the manufacturers responsibility and could result in serious injury.

The circuit must be protected with a minimum 15 ampere fuse or breaker. The unit must be isolated on a circuit and not plugged into an extension cord.

OPERATION

Initial Start Up

After satisfying the installation requirements, the unit is ready to start. The unit will start when the power cord is connected to the required power source. Allow the unit to run a minimum of two hours before loading it with product. When loading the unit with product, take care not to block the air flow to the fans at the top of the cabinet as this would affect the performance of the cabinet.

Electronic Temperature Control

The Electronic Temperature Control is located on the front of the cabinet above the door. It is set at the factory to a temperature of 35°F. To obtain colder temperatures, remove the Outer Evaporator Cover, push the set key and then push the down arrow on the Electronic Temperature Control. To obtain warmer temperatures, push the set key and then push the up arrow on the Electronic Temperature Control. Allow the unit a minimum of one hour to respond to a control setting adjustment.

Defrost

Your Silver King refrigerator is an automatic defrost unit and no additional plumbing is required. Automatic defrosting is accomplished when frost buildup on the Evaporator Coil is cleared during Compressor "off" cycles. Defrost water is collected in a pan located in the compressor compartment where it is evaporated into the room air. It is important that the unit be installed level to allow proper drainage of the defrost water.

MAINTENANCE

Preventative maintenance is minimal although these few steps are very important to continued operation and maximizing the life of the appliance.

Cabinet Surfaces

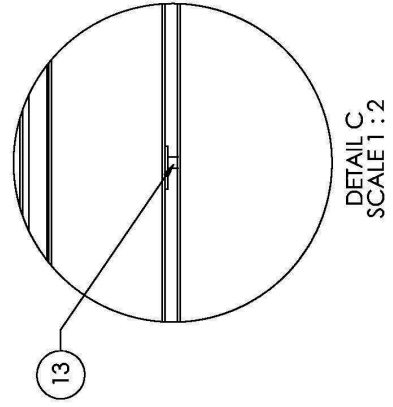
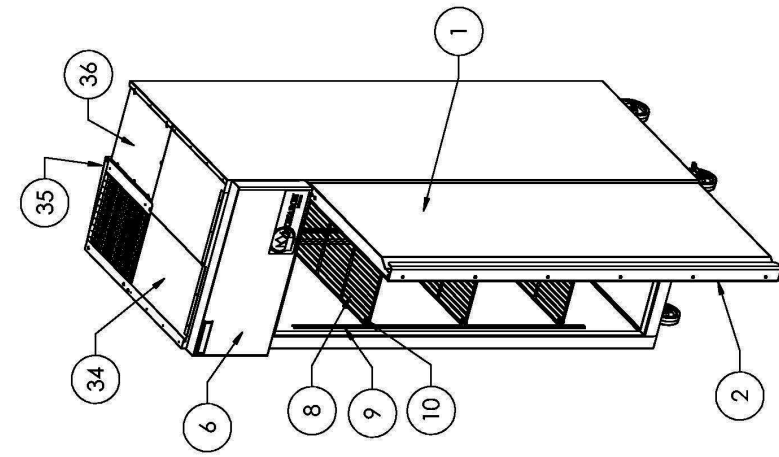
The cabinet interior and exterior are stainless steel. These surfaces should be cleaned periodically with a solution of warm water and mild soap. After cleaning the surfaces should be rinsed with clean water and wiped dry with a soft cloth. Stainless steel cleaners can also be used. Should a surface become stained, do not attempt to clean with an abrasive cleaner or scouring pad. Use a soft cleanser and rub with the grain of the metal to avoid scratching the surface. Always rinse well and dry after cleaning. Do not use chlorinated cleaners.

Condenser

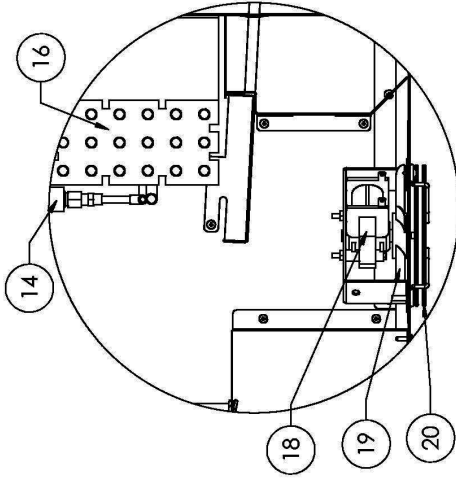
Periodically, dust on the Filter Screen must be cleaned. The Filter Screen is located on the top of the cabinet. To clean it simply pull it out the front of the unit and rinse it in a stream of water. Dry the screen by tapping it on a counter or floor. Replace the Filter Screen by placing it into the filter screen tracks on the top of the unit and sliding all the way to the rear of the cabinet. This will need to be done regularly to maintain the compressor warranty.

The Condenser itself should also be cleaned periodically. See the cleaning instructions located on the Rear Panel.

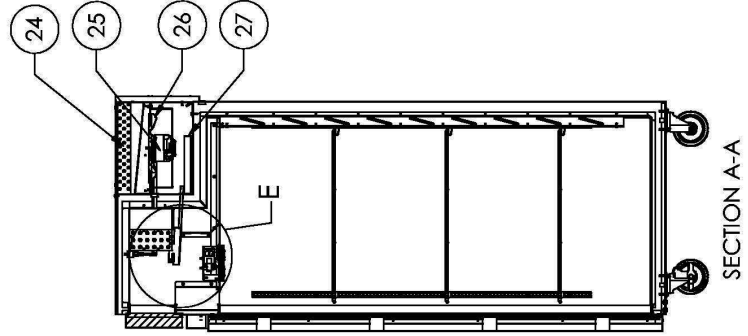
MODEL _____ SERIAL NO. _____ DATE INSTALLED _____



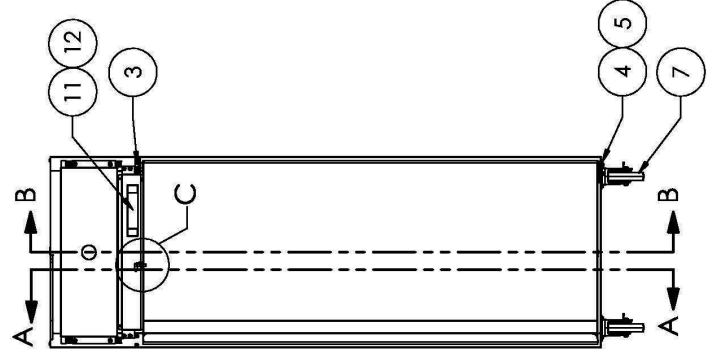
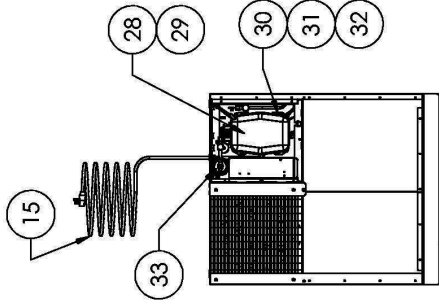
DETAIL C
SCALE 1:2



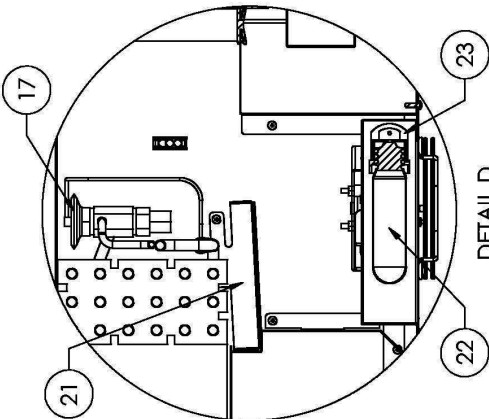
DETAIL E
SCALE 1:3



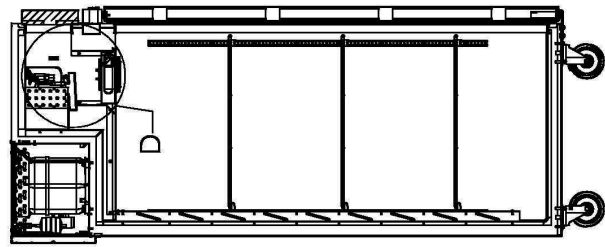
SECTION A-A



SECTION B-B



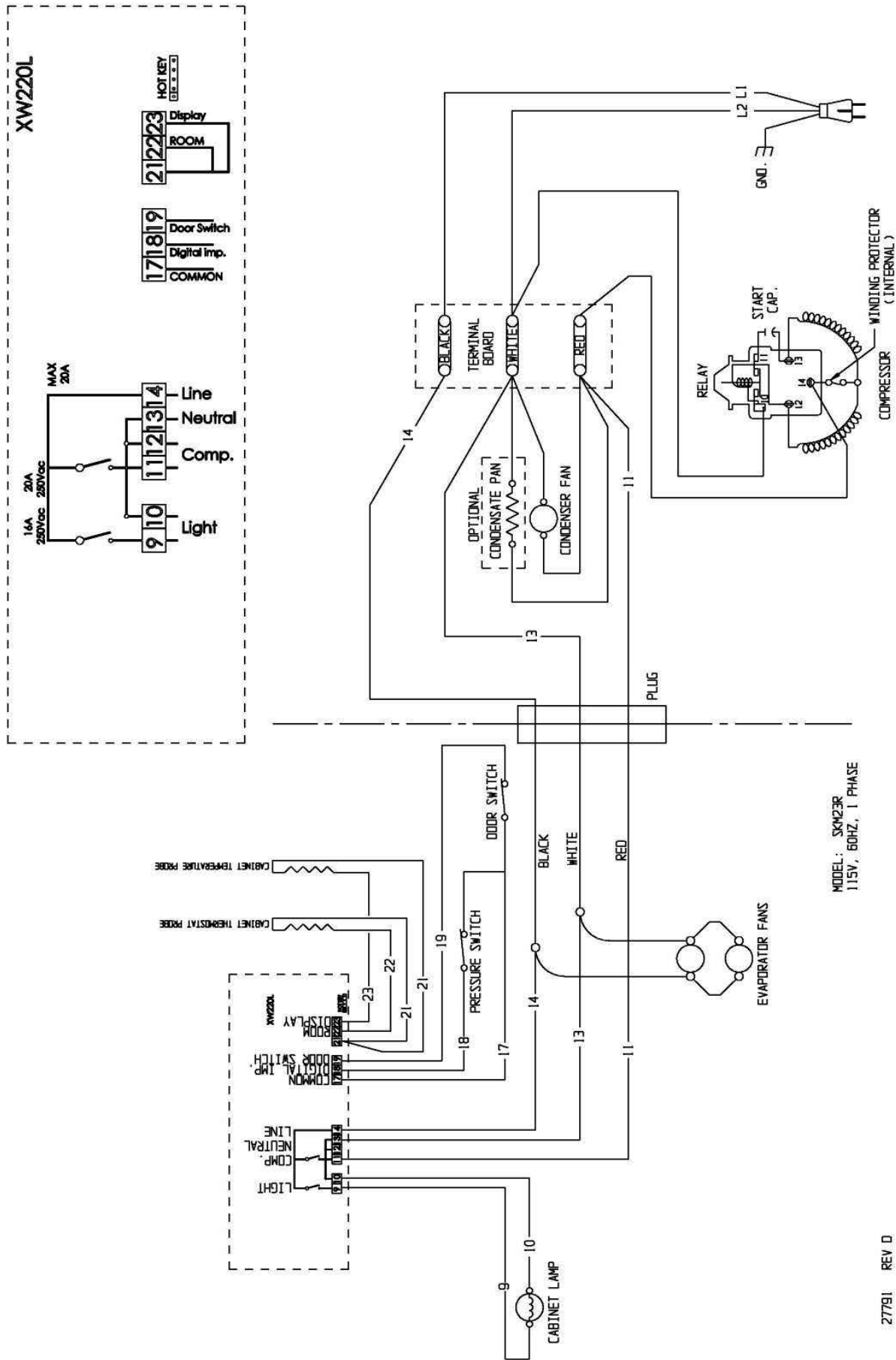
DETAIL D
SCALE 1:3



REPLACEMENT PARTS LIST – MODEL SKM23R

ITEM NO.	PART DESCRIPTION	PART NO.
1	DOOR, COMPLETE	28176
2	DOOR GASKET	10310-52
3	HINGE, TOP	27528
4	HINGE, BOTTOM	27378
5	SELF CLOSING HINGE CARTRIDGE	99467
6	OUTER EVAPORATOR COVER	28250
7	CASTER KIT, 6"	10314-03
8	SHELF	27427
9	PILASTER	27428
10	SHELF SUPPORT, WITH TANG	99531
11	ELECTRONIC CONTROL	28403
	CONTROL INSTRUCTIONS (FOR PROFESSIONAL USE ONLY)	28783
12	TEMPERATURE PROBE	27608
13	DOOR SWITCH	27447
14	PRESSURE SWITCH	28156
15	POWER CORD, 115V	42667
16	EVAPORATOR COIL	27072
17	EXPANSION VALVE	27801
18	FAN MOTOR, 115V	21251-2
19	FAN BLADE, 5"	22943
20	FAN GUARD	41473
21	EVAPORATOR DRAIN PAN	27543
22	LIGHT BULB (COATED)	24596
23	LIGHT SOCKET	28129
24	CONDENSER COIL	27380
25	FAN MOTOR, 115V	27535
26	FAN BLADE, 10"	27536
27	CONDENSATE DRAIN PAN	28648
	CONDENSATE DRAIN PAN W/ HEATER, 115V	27570
28	COMPRESSOR, 115V/60HZ	10343-66
29	ELECTRICAL KIT, 115V/60HZ	10344-66
30	GROMMET, COMPRESSOR MOUNT	20481
31	HAIRPIN CLIP	98106
32	WASHER, COMPRESSOR MOUNT	22401
33	DRIER	27494
34	FILTER SCREEN	27405
35	REAR PANEL	28248
36	REAR GRILL	27496

WHEN ORDERING REPLACEMENT PARTS, PLEASE PROVIDE MODEL AND SERIAL NUMBERS



MODEL: SKM23R
115V, 60HZ, 1 PHASE

27791 REV D