

Technical Manual and Replacement Parts List

Refrigerators



MODEL SKTTR7FW



MODEL SKC1220W

SILVER KING REFRIGERATION INC.

1600 Xenium Lane North, Minneapolis, MN 55441-3787
Phone (763) 923-2441

SILVER KING®



TECHNICAL MANUAL

SILVER KING MODELS SKTTR7FW AND SKC1220W REFRIGERATORS

Thank you for purchasing Silver King food service equipment. Our goal is to provide our customers with the most reliable equipment in the industry today. Please read this manual and the accompanying warranty information before operating your new Silver King unit. Be sure to complete and mail the warranty card within 10 days of purchase to validate your warranty.

INSPECT FOR DAMAGE AND UNCRATE

Upon delivery of your new Silver King unit, uncrate at once to inspect for possible freight damage following the instructions printed on the exterior of the container. Report any damages to the carrier responsible for transportation and promptly present a claim for any evidence of mishandling. Save all packaging materials if a claim is filed.

INSTALLATION

The stainless steel exterior of the cabinet has been protected by a plastic covering during manufacturing and shipping. This covering can be readily stripped before installation. After removing this covering, wash the interior and exterior surfaces using a warm, mild soapy water solution and a sponge or cloth, rinse with clean water and dry.

Legs/Casters

Models without a base come with Legs or Casters. To install them, tilt the unit and thread the Legs or Casters into the four Rivnuts in the bottom of the cabinet. Make sure that they are installed tightly to prevent future thread wear.

Shelves

Inside the unit you will find Shelves and a plastic bag containing Shelf Supports. The Shelf Supports with the "tang" go on the rear Pilasters. This shelf system allows for easy adjustment to suit your needs.

Door Adjustment and Swing

Should the Door ever require straightening, loosen the Screws on the Hinges, square the Door with the cabinet and retighten the Screws.

The mounting of the Door is easily reversible on single door units should space or convenience require that you do so. Simply remove the Screws holding the Hinges, rotate the Door 180 degrees and relocate the Hinges on the side opposite their original location.

Location

When locating your new refrigerator, convenience and accessibility are important considerations, but the following installation guidelines must be followed;

- Always avoid placing the refrigerator adjacent to an oven, heating element or hot air source that would affect the operation of the unit.
- For proper ventilation the bottom front of the unit must not be obstructed. The unit must be on legs or casters to raise it off the floor. The unit can be installed tight on the sides and back.
- The unit must be level or tilted backwards slightly.

Electrical Connections

Be sure to check the data plate, located on the liner of the cabinet, for required voltage prior to connecting the unit to power. The specifications on the data plate supersede any future discussion.

The standard refrigerator is equipped with an eight (8) foot power cord that requires a 115 Volt, 60 Cycle, 1 Phase **properly grounded** electrical receptacle. The power cord comes with a 3 prong plug for grounding purposes. Any attempt to cut off the grounding spike or to connect to an ungrounded adapter plug will void the warranty, terminate the manufacturer's responsibility and could result in serious injury.

The circuit must be protected with a 15 or 20 ampere fuse or breaker. The unit must be isolated on a circuit and not plugged into an extension cord.

OPERATION

Initial start up

After satisfying the installation requirements, the refrigerator is ready to start. The Compressor will start when the power cord is connected to the required power source. If the Compressor does not start when the unit is initially plugged in, check to make sure that the Temperature Control is not in the "off" position. Allow the unit to run for two hours before loading it with product. When loading the unit with product, take care not to block the air flow in the cabinet as this would affect the units performance.

Temperature Control

The Temperature Control is located on the back wall of the cabinet liner and is factory set to maintain an average cabinet temperature of approximately 38 Deg F. To obtain colder temperatures turn the Temperature Control stem clockwise and vice versa. Allow the unit a minimum of one hour to respond to a control setting adjustment.

Defrost

Your Silver King refrigerator is an automatic defrost unit and no additional plumbing is required. Automatic defrosting is accomplished when frost buildup on the Evaporator Coil is cleared during Compressor "off" cycles. Defrost water is collected in a pan located in the compressor compartment where it is evaporated into the room air. It is important that the unit be installed level to allow proper drainage of the defrost water.

MAINTENANCE

Preventative maintenance is minimal although these few steps are very important to continued operation and maximizing the life of the appliance.

Cabinet Surfaces

The cabinet interior is aluminum and stainless steel and the exterior is stainless steel. These surfaces should be cleaned periodically with a solution of warm water and mild soap, rinsed and wiped dry with a soft cloth. A good stainless steel cleaner can also be used. Should a surface become stained, do not attempt to clean with an abrasive cleanser or scouring pad. Use a soft cleanser and rub with the grain of the metal to avoid scratching the surface. Do not use chlorinated cleaners. Always rinse well and dry after cleaning.

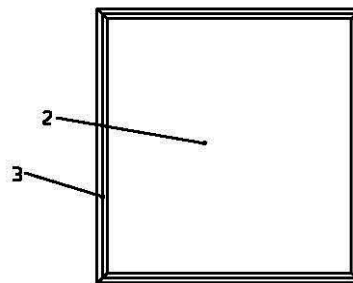
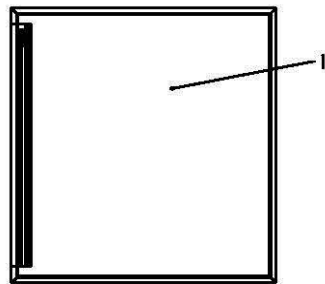
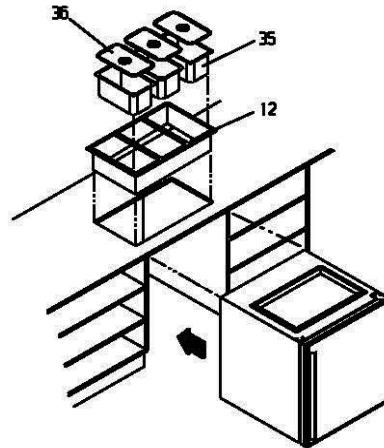
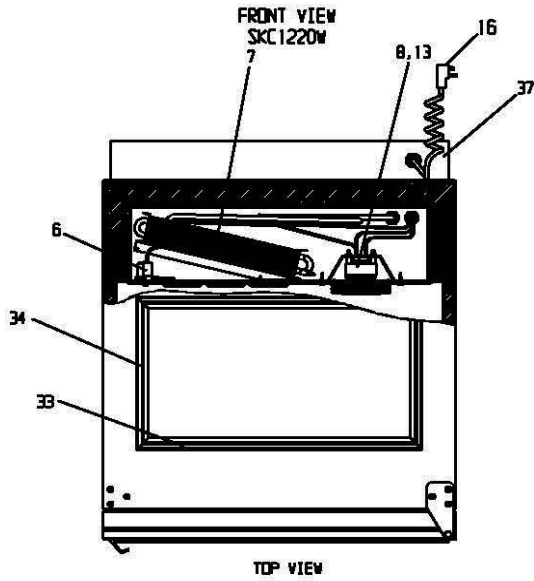
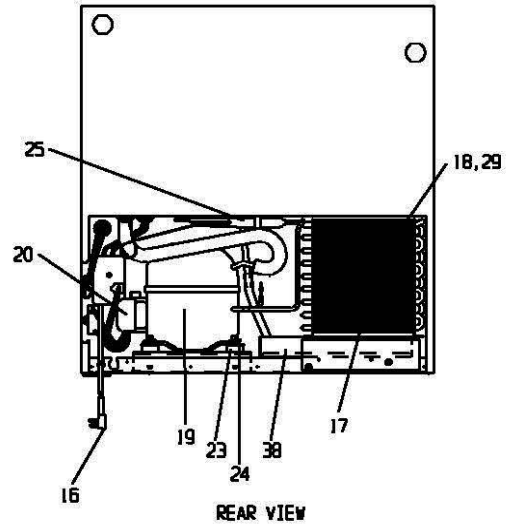
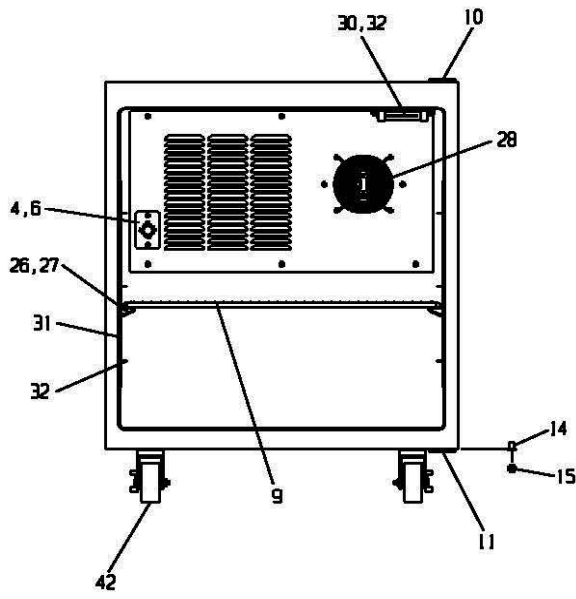
Condenser

Periodically, accumulated dust must be removed from the condenser. First, disconnect the unit from the power supply. To clear the dust, vacuum or brush the condenser at the rear of the cabinet. This will need to be done regularly to maintain the compressor warranty!

Door Gasket

The Door Gasket will collect dirt and should be wiped clean with a warm, mild soapy water solution to extend its life and assure maximum cabinet performance and life.

MODEL _____ SERIAL NO. _____ DATE INSTALLED _____



28964 REV E

REPLACEMENT PARTS LIST - SKTTR7FW/SKC1220W

ITEM NO.	PART DESCRIPTION	SKTTR7FW	SKC1220W
1	DOOR, COMPLETE	63017	63017
2	DOOR LINER	10309-01	10309-01
3	DOOR GASKET	10310-04	10310-04
4	TEMPERATURE CONTROL PLATE	20653	20653
6	TEMPERATURE CONTROL	20889	20889
7	EVAPORATOR/HEAT EXCHANGER	28915	28915
8	FAN MOTOR EVAPORATOR 115V/60HZ	21251-2	21251-2
9	SHELF KIT	30847	30847
10	HINGE (RIGHT TOP/LEFT BOTTOM)	23176	23176
11	HINGE (RIGHT BOTTOM/LEFT TOP)	23175	23175
12	COLLAR	N/A	63038
13	FAN BLADE EVAPORATOR	99190	99190
14	DOOR BUSHING	20703	20703
15	DOOR WASHER	20702	20702
16	POWER CORD 115V	43263	43263
17	CONDENSER COIL	40400	40400
18	FAN MOTOR CONDENSER 115V/60HZ	21256	21251-2
19	COMPRESSOR 115V (WITH DRIER AND ELECTRICALS)	10343-91	10343-91
20	ELECTRICAL KIT (RELAY,OVERLOAD,CAPACITOR) 115V	10344-91	10344-91
23	GROMMET	20481	20481
24	HAIRPIN CLIP	98106	98106
25	DRIER	22677	22677
26	SHELF SUPPORT (W/TANG)	99531	99531
27	SHELF SUPPORT	99530	99530
28	FAN GUARD	41215	41215
29	FAN BLADE CONDENSER	99196	22321
30	THERMOMETER	22409	22409
31	SHELF PILASTER	42986	42986
32	SCREW (PILASTER)	97007	97007
33	BREAKER 22"	N/A	41228-15
34	BREAKER 14"	N/A	41228-14
35	PAN 1/3 SIZE 6"	N/A	99112
36	COVER 1/3 SIZE	N/A	99113
37	REAR PANEL	27365	43089
38	CONDENSATE PAN W/ HEATER 115V	43061	43061
40	DRESSING RACK	10327-02	10327-02
42	CASTERS	10314-63	10314-63

FORM 28964

WHEN ORDERING REPLACEMENT PARTS, PLEASE PROVIDE MODEL AND SERIAL NUMBERS

