



A MIDDLEBY COMPANY

RED LOBSTER GAS FIRED: PS536GS-RL

SPL022106-PF-BD
Dated: February 21, 2006

Parts Manual *with Wiring Diagrams* *for domestic and standard export ovens*

Serial # Code

First 4 digits - order of production

Fifth digit - model specific

Sixth and Seventh digit - month of production

Eighth and Ninth digit - year of production

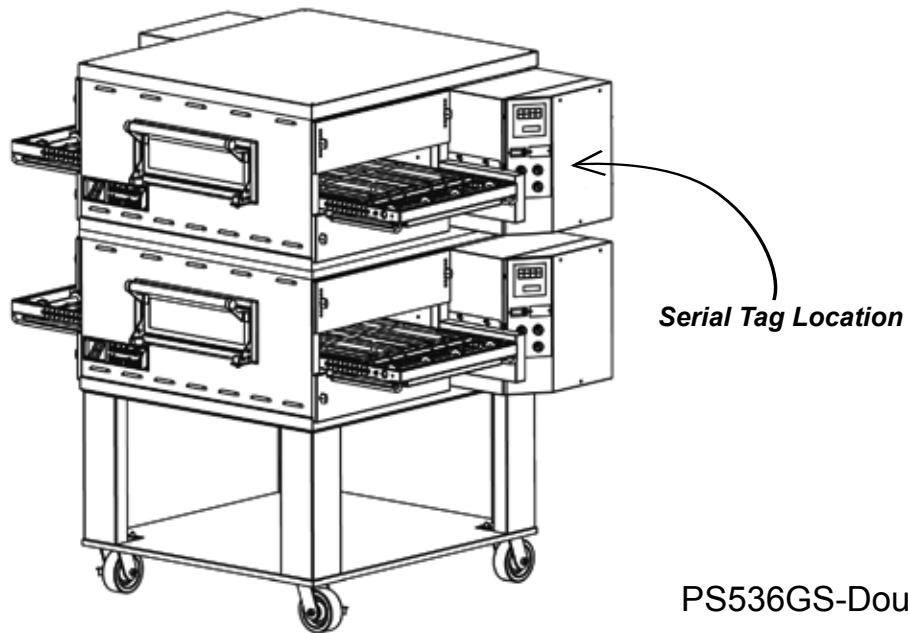


TABLE OF CONTENTS: PAGE 2



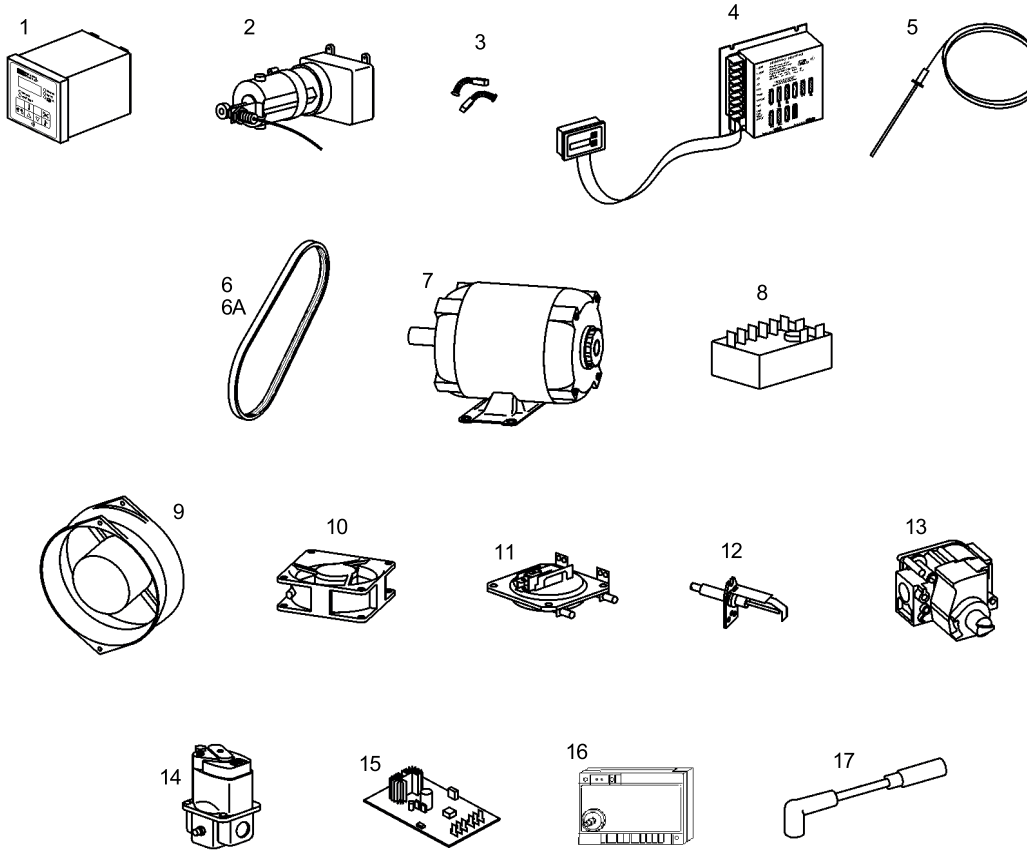
www.middleby.com

email: techsupport@middleby.com

TABLE OF CONTENTS

Key Parts	3
View of Installation Kit	4
Parts for Installation Kit	5
View of Panels, End Plugs and Window.	6
Parts for Panels, End Plugs and Window	7
View of Right-hand Electrical Compartment.	8
Parts for Right-hand Electrical Compartment	9
View of Left-hand Electrical and Gas Train Compartment.	10
Parts for Left-hand Electrical and Gas Train Compartment	11
View of Rear Compartment and Blowers	12
Parts for Rear Compartment and Blowers.	13
View of Single-Belt Conveyor	14
Parts for Single-Belt Conveyor	15
Standard Finger Placement & Part Number #58981	16
Wiring Diagram (Electrical Schematics)	17
208: 240 volt, 50/60 Hz., 1-Phase	ENG/GM/FR/SP 55553B

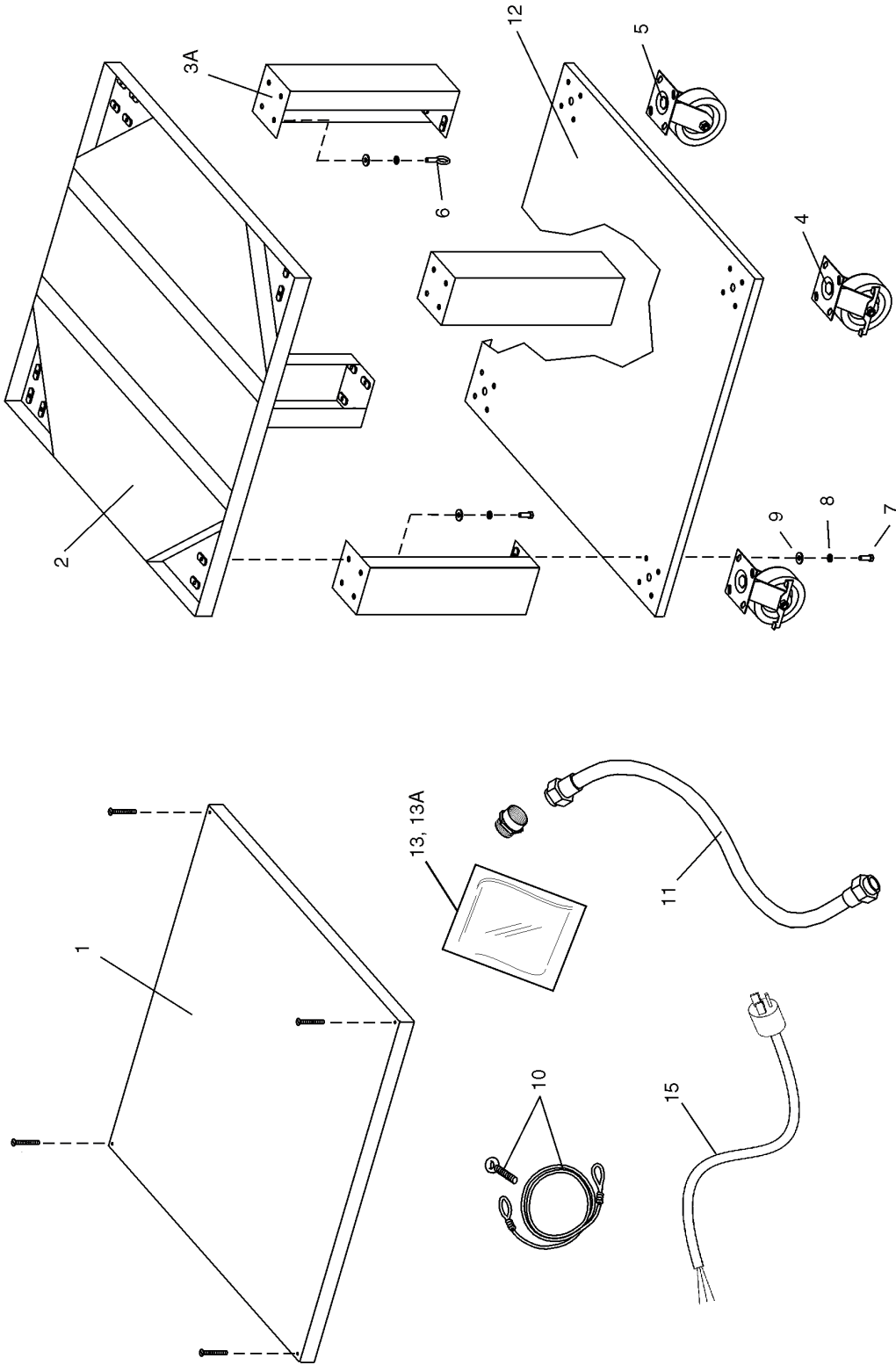
KEY PARTS



KEY PARTS

ITEM	QTY.	P/N	DESCRIPTION
1	1	58504	DIGITAL TEMPERATURE CONTROLLER
2	1	58390	CONVEYOR DRIVE MOTOR W/MAGNET
3	1	58484	KIT, 2-BRUSHES AND 2-CAPS
4	1	58323	KIT, CONVEYOR SPEED CONTROLER
5	1	33984	KIT, THERMOCOUPLE 6"
6	1	50517	BELT, BLOWER, STANDARD RPM
7	1	44687	MOTOR, BLOWER, 208/230V, 1/2HP
8	1	33983	HIGH LIMIT CONTROL MODULE, 240V
9	1	36451	COOLING FAN (BACKWALL)
10	1	97525	COOLING FAN (CONTROL COMPARTMENT)
11	1	54953	AIR SWITCH
12	1	48455	IGNITOR
13	1	52291	COMBINATION GAS CONTROL VALVE (SAFETY REGULATOR)
14	1	41647	MODULATING GAS VALVE, M420, 1/2"
15	1	31651	AMPLIFIER BOARD
16	1	50239	IGNITION MODULE
17	1	50240	IGNITION CABLE, 25"

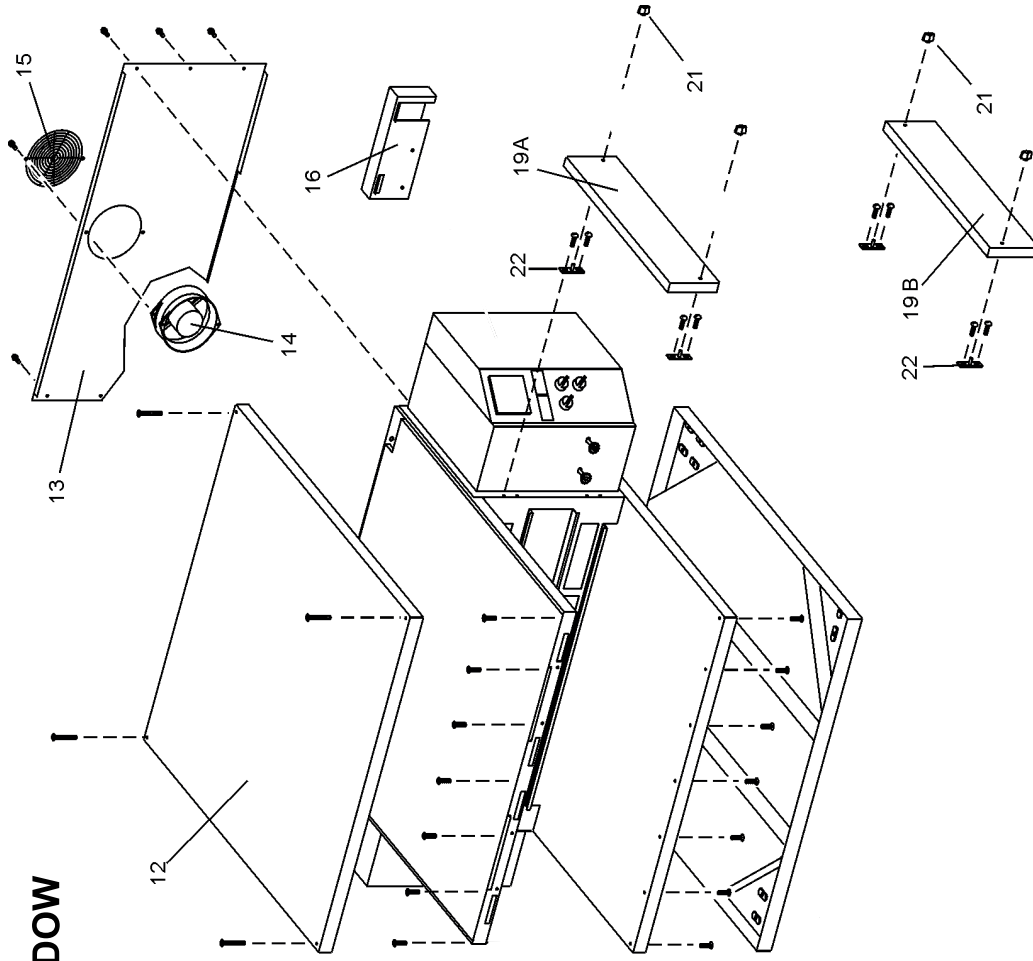
View of INSTALLATION KIT



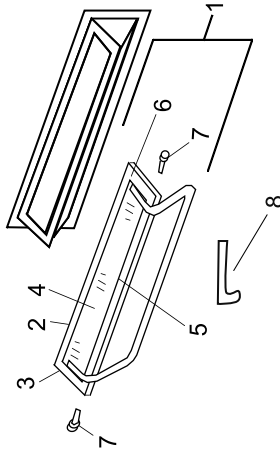
Parts for INSTALLATION KIT

ITEM	QTY. DOUBLE OVEN	P/N	DESCRIPTION
1	1	48605	TOP PANEL
2	1	51977	BASE PAD, W/INSULATION
3A	4	42890	17-1/2" (445mm) LEG EXTENSION, FOR SINGLE AND DOUBLE OVENS
4	2	22290-0009	CASTER, WITH FLAT PLATE AND BRAKE
5	2	22290-0010	CASTER, WITH FLAT PLATE (NO BRAKE)
6	1	21392-0004	EYEBOLT, 3/4"
7	31	220373	HEX BOLT, 3/8"-16 x 1"
8	32	21416-0001	FLAT WASHER, 3/8"
9	32	21422-0001	LOCKWASHER, 3/8"
10	1	22450-0228	RESTRAINT CABLE ASSEMBLY
11	2	22361-0001	GAS HOSE,
12	1	46393	LOWER SHELF - (LIP DOWN POSITION)
13	2	Contact Factory	KIT, LP - (NATURAL GAS TO LP)
13A	2	Contact Factory	KIT, NATURAL GAS - (LP TO NATURAL GAS)
14	2	M2841	FITTING, PRESSURE TAP (NOT SHOWN)
15	2	49975	TWIST LOCK PLUG (6-20P) - WITH 6 FOOT CORD

View of PANELS, END PLUGS and WINDOW



OVEN WINDOW

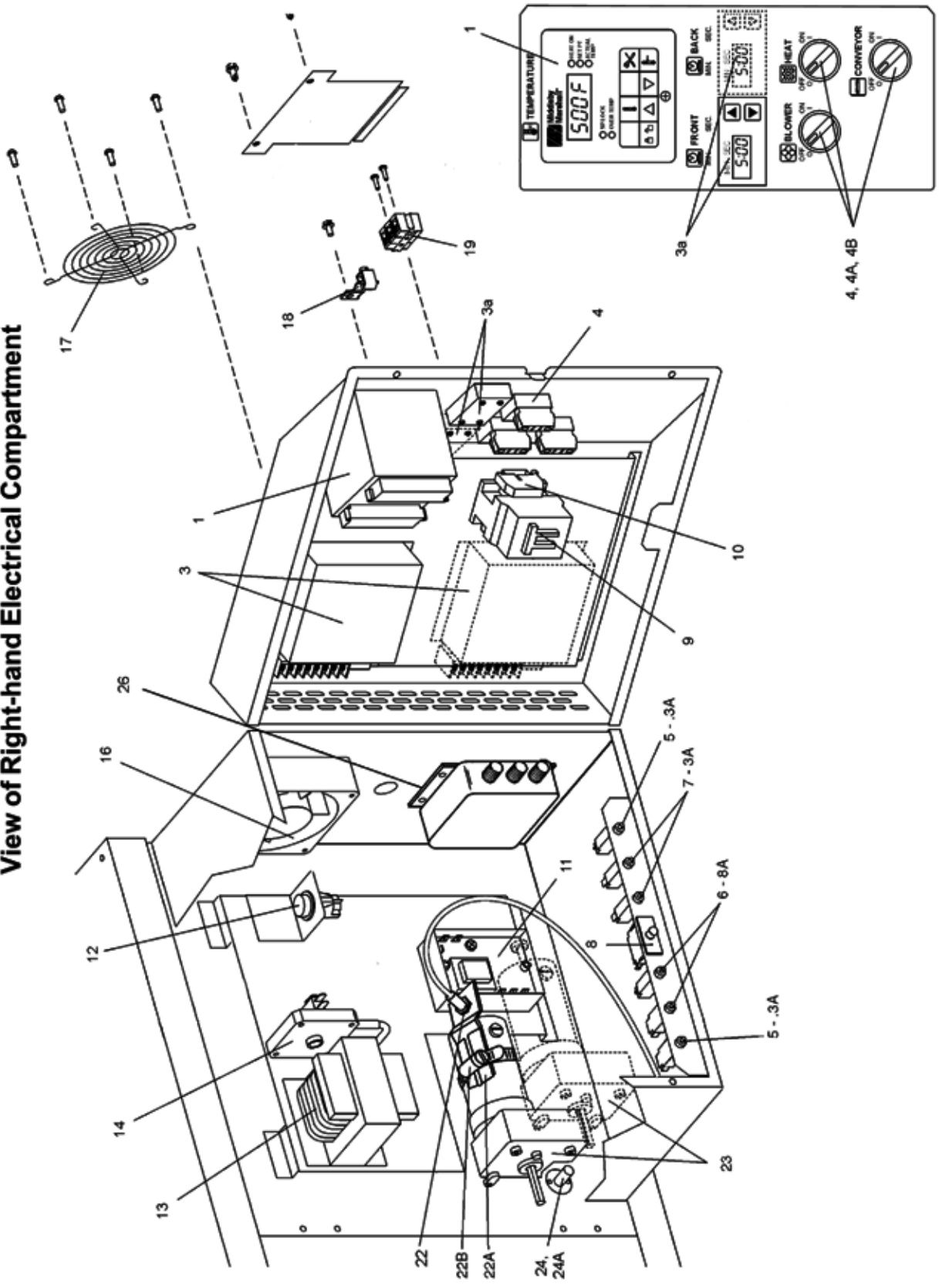


Not Shown: Item 23 DRIP PAN(s)

Parts for PANELS, END PLUGS and WINDOW

ITEM	QTY.	P/N	DESCRIPTION
1	1	30285	GLASS DOOR ASSEMBLY
2	1	30286	GLASS TOP FRAME
3	1	17130-0006	SEALANT, SILICON RUBBER, 11OZ.
4	1	22140-0017	TEMPERED GLASS, 23-1/8" x 4-1/4"
5	1	33300-0273	TUBE, GLASS FRAME, HINGE
6	1	30287	GLASS DOOR FRAME WELDMENT
7	2	34121-0003	SCREW, THUMB PIVOT
8	1	42400-0087	LATCH
12	1	48605	TOP PANEL
13	1	47633	BACKWALL
14	1	36451	COOLING FAN
15	1	31497	FINGER GUARD· COOLING FAN
16	1	58257	CHAIN COVER
19A	2	58294	END PLUG-5.00" HIGH - UPPER
19B	2	48622	END PLUG-5.64" HIGH - LOWER
21	8	50311	WING NUT, PLASTIC
22	8	48640	BRACKET, END PLUG MOUNTING
23	3	58283	DRIP PAN

View of Right-hand Electrical Compartment

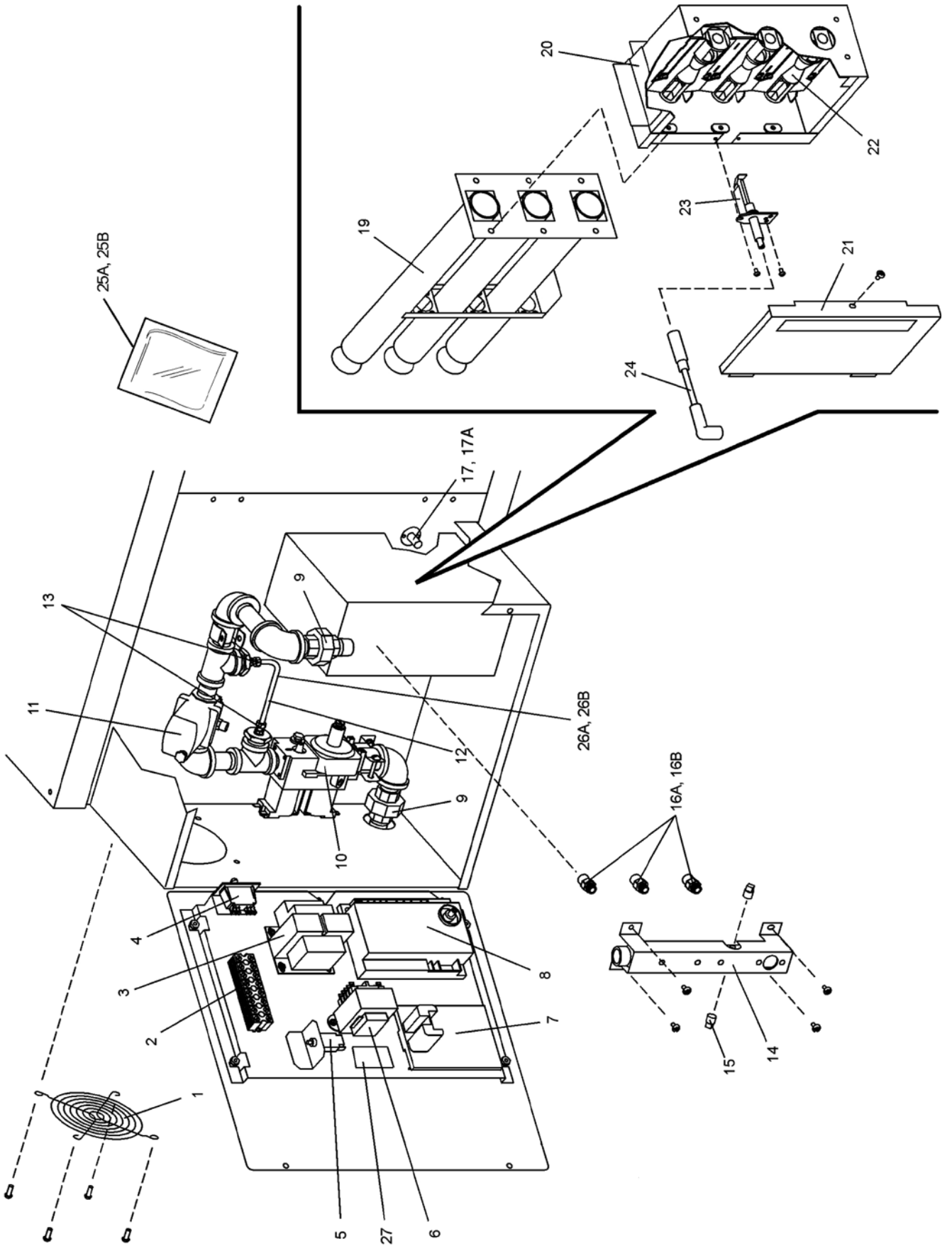


Parts for Right-hand Electrical Compartment

ITEM	QTY. SINGLE BELT	PIN	DESCRIPTION
1	1	58504	DIGITAL TEMPERATURE CONTROLLER
3	1	58323	KIT, CONVEYOR SPEED CONTROLLER WITH DIGITAL DISPLAY (INC. ITEM 3A)
3A	1	37503	DIGITAL DISPLAY ONLY
4	3	46521	KIT, SELECTOR SWITCH WITH KNOB AND CONTACT BLOCK
4A	3	44697	CONTACT BLOCK
4B	3	44696	SELECTOR SWITCH
5	1	48635	CIRCUIT BREAKER, 0.3A (DRIVE MOTORS)
6	2	46831	CIRCUIT BREAKER, 8A (BLOWER MOTORS)
7	2	45036	CIRCUIT BREAKER, 3A (CONTROL CIRCUIT)
8	1	28021-0047	SAFETY SWITCH
9	1	28041-0011	CONTACTOR
10	2	33363	END STOP, CONTACTOR
11	1	33983	HIGH LIMIT CONTROL MODULE, 240V
12	1	35145	RESET SWITCH, HIGH LIMIT
13	1	31504	TRANSFORMER, 230V PRI : 120V SEC, 200VA
14	1	54953	AIR SWITCH (REPLACES 37498)

ITEM	QTY. SINGLE BELT	PIN	DESCRIPTION
16	1	97525	COOLING FAN, 230V
17	1	27470-0004	FINGER GUARD, COOLING FAN
18	1	F716A8701	GROUND LUG
19	1	44390	TERMINAL BLOCK, 3-POLE
22	1	38185	SENSOR PICKUP
22A	1	22450-0248	BRACKET-PICKUP SENSOR
22B	1	220416	CLAMP-SECURES BRACKET
23	1	58390	MOTOR, CONVEYOR DRIVE WITH 2-POLE MAGNET
23A	1	39002	MAGNET 2-POLE
23B	1	310-0017	ADHESIVE
23C	1	300-2757	CONVEYOR DRIVE MOTOR-ONLY
23D	1	58484	KIT, 2 BRUSHES & 2 CAPS
23E	2	30153	BRUSH, SOLD INDIVIDUALLY, QTY 2 REQUIRED
24	1	33984	KIT, THERMOCOUPLE
24A	1	33812-1	THERMOCOUPLE 6" x 120"
26	1	33813	RFI FILTER

View of Left-hand Electrical and Gas Train Compartment

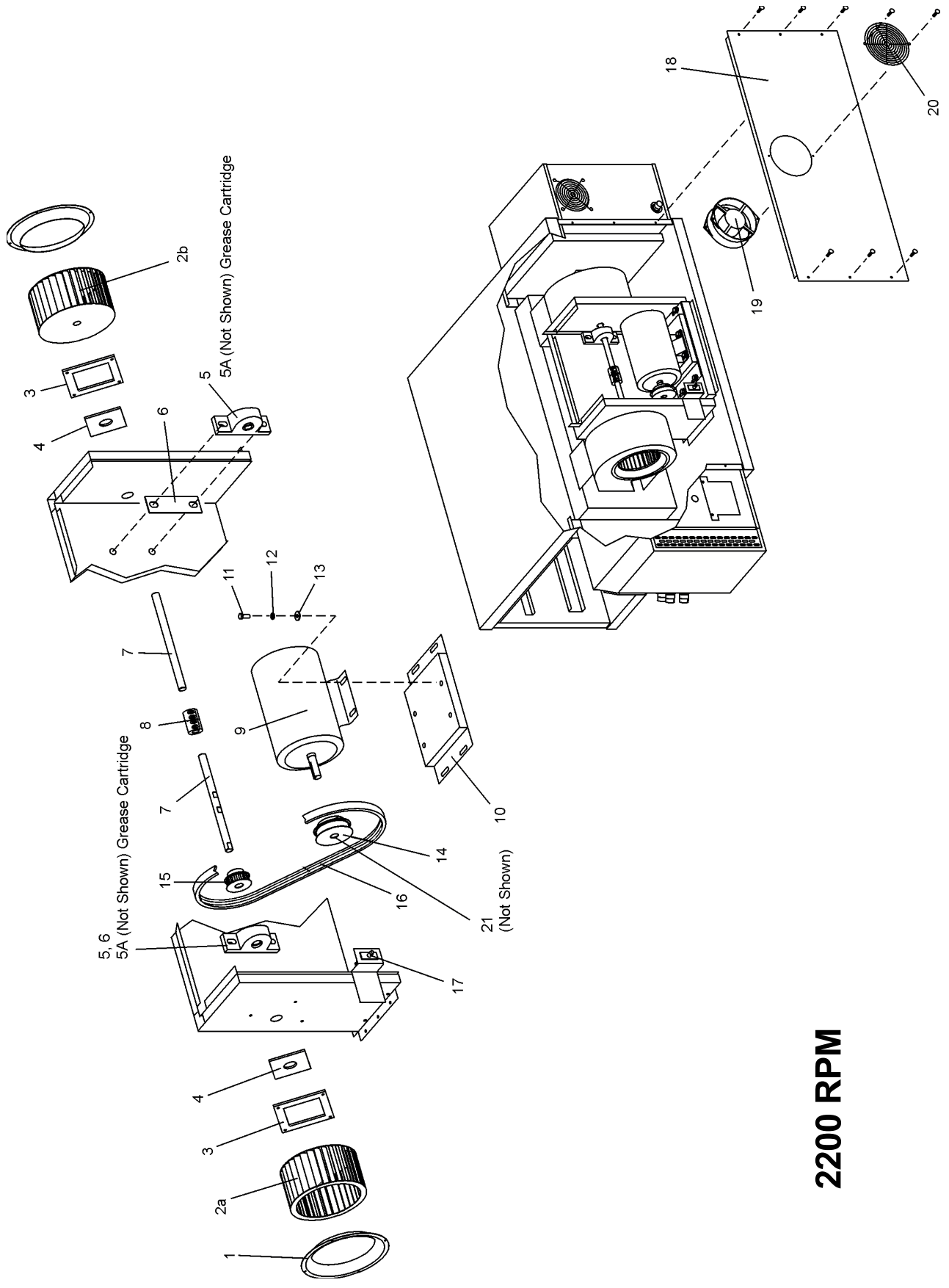


Parts for Left-hand Electrical and Gas Train Compartment

M	QTY.	P/N	DESCRIPTION
	1	27470-0004	FAN GUARD
			<i>NOTE: The oven does NOT have a cooling fan in this location. The opening provides passive cooling only.</i>
	1	44390	TERMINAL BLOCK, 3-POLE
	1	32108	TRANSFORMER, 240V PRI : 24V SEC, 65VA
	1	28021-0047	SAFETY SWITCH
	1	45644	CIRCUIT BREAKER, 1A
	1	41872	TRANSFORMER, 240V PRI : 24V SEC, 25VA
	1	31651	AMPLIFIER BOARD
	1	50239	IGNITION MODULE-24VAC
	2	23051-0003	UNION, 1/2" PIPE
	1	52291	COMBINATION GAS CONTROL VALVE (SAFETY REGULATOR)
	1	41647	MODULATING GAS VALVE, M420, 1/2"
	A/R	48740	TUBE, ALUMINUM, 1/4" (6.35mm) O.D. (BULK)
	2	44888	COMPRESSION FITTING, 1/4" TUBE
	1	49940	MANIFOLD
	2	30002	TAP PLUG
	3	44984	ORIFICE, MAIN, NATURAL GAS 0.0935" (2.3749mm, #42 DRILL)
	3	47320	ORIFICE, MAIN, PROPANE 0.0595" (1.5113mm, #54 DRILL)

ITEM	QTY.	P/N	DESCRIPTION
17	1	33984	KIT, THERMOCOUPLE
17A	1	33812-1	THERMOCOUPLE 6" x 120"
19	1	48489	ASSEMBLY, BURNER TUBES
20	1	49955	HOUSING, INSHOT BURNERS
21	1	47654	COVER PLATE, INSHOT BURNER HOUSING
22	3	44983	BURNER, INSHOT
23	1	48455	IGNITOR
24	1	50240	IGNITION CABLE, 25" (635mm)
25A	1	contact factory	KIT, LP (INCLUDES ITEMS 16B & 26B)
25B	1	contact factory	KIT, NAT GAS (INCLUDES ITEMS 16A & 26A)
NOT SHOWN:			
26A	1	58954	ORIFICE, BYPASS, NATURAL GAS #44 - BYPASS
26B	1	contact factory	ORIFICE, BYPASS, PROPANE - BYPASS
27	1	50794	IGNITION RELAY

View of Rear Compartment and Blowers



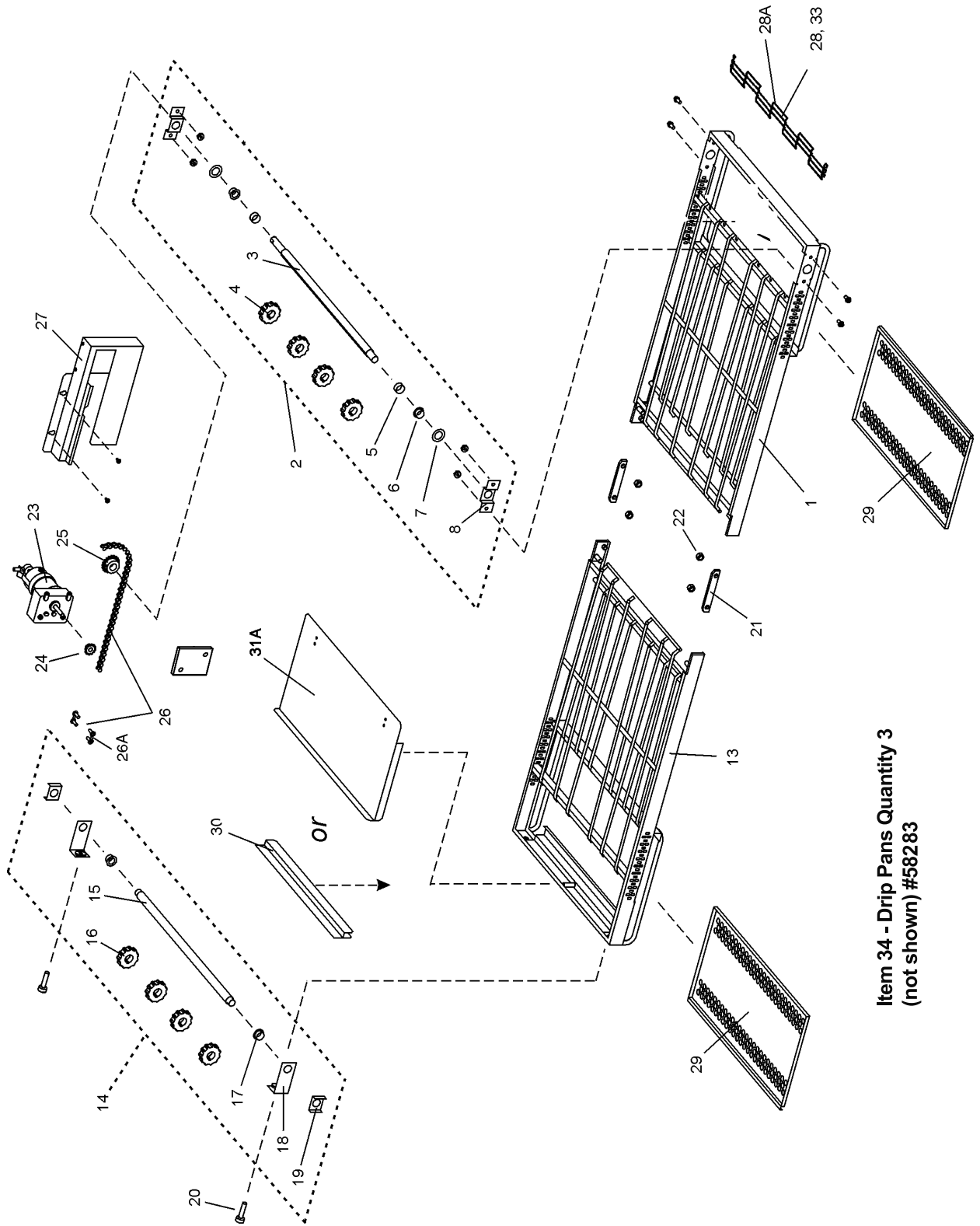
2200 RPM

Parts for Rear Compartment and Blowers

ITEM	QTY.	P/N	DESCRIPTION	ITEM	QTY.	P/N	DESCRIPTION
1	2	42951	INLET RING	11	4	A3896	SCREW, HEX CAP HEAD 5/16"-18 X 7/8"
2A	1	42752	BLOWER WHEEL, RIGHT (VIEWED FROM REAR OF OVEN-LEFT HAND)	12	4	B301A8847	FLAT WASHER, 5/16"
2B	1	42753	BLOWER WHEEL, LEFT (VIEWED FROM REAR OF OVEN-RIGHT HAND)	13	4	A3682	LOCK WASHER, 5/16"
3	2	42999	RETAINER, TEFLON SEAL	14	1	50224	PULLEY-MOTOR 1.80" DIA.
4	2	35121-0045	TEFLON SEAL	15	1	58976	PULLEY, BLOWER SHAFT 2.24" DIA.
5	2	22072-0025	BEARING, 5/8" BORE WITH STANDARD GREASE	16	1	50517	BELT, (50/60Hz) 2200 RPM
5A	--	17110-0015	GREASE, MM STANDARD CARTRIDGE	17	1	28021-0061	SAFETY SWITCH
6	2	50160	SHIM, BEARING	18	1	47633	BACKWALL
7	2	50151	BLOWER SHAFT	19	1	36451	COOLING FAN
8	1	44748	COUPLING, BLOWER SHAFT	20	1	31497	FINGER GUARD, COOLING FAN
9	1	44687	MOTOR, BLOWER, 208/230V, 1/2HP	21	1	50259	BUSHING (STANDARD RPM)-SPLIT TAPER
10	1	44688	PLATE, MOTOR MOUNTING				

2200 RPM

View of Single-Belt Conveyor

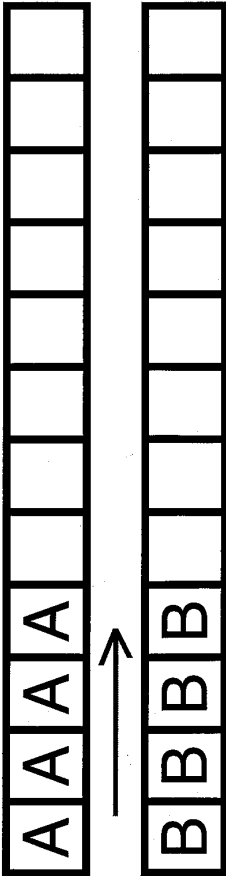


Item 34 - Drip Pans Quantity 3
(not shown) #58283

Parts for Single-Belt Conveyor - Standard Speed (3-30 Minutes)

ITEM QTY.	P/N - 60" CONVEYOR	DESCRIPTION
1	<----- 58254 ----->	FRAME, DRIVE SIDE
2	<----- 58253 ----->	ASSEMBLY, STANDARD DRIVE SHAFT (INC. ITEMS 3-8)
3	<----- 48781 ----->	DRIVE SHAFT
4	<----- 22229-0003 ----->	SPROCKET, CONV. BELT
5	<----- 43275 ----->	SPACER
6	<----- 22034-0003 ----->	BUSHING, BRONZE 5/8" I.D.
7	<----- 35000-1080 ----->	SPACER, NYLON
8	<----- 58252 ----->	BRACKET, DRIVE SUPPORT
13	<----- 58251 ----->	FRAME, IDLER SIDE
14	<----- 48780 ----->	ASSEMBLY, IDLER SHAFT (INC. ITEMS 15-19)
15	<----- 48779 ----->	IDLER SHAFT
16	<----- 22229-0003 ----->	SPROCKET, CONV. BELT
17	<----- 22034-0003 ----->	BUSHING, BRONZE 5/8" I.D.
18	<----- 37000-0413 ----->	BRACKET, IDLER ADJUSTMT.
19	<----- 54947 ----->	BRACKET, IDLER SUPPORT
20	<----- 35000-1008 ----->	SCREW, IDLER ADJUSTMENT
21	<----- 50792 ----->	PIVOT PLATE
22	<----- 21176-0002 ----->	LOCKNUT, HEX 3/8"-16SS

ITEM QTY.	P/N - 60" CONVEYOR	DESCRIPTION
23	SEE PAGES 8 - 9	ASSEMBLY, CONVEYOR MOTOR AND PICKUP (INC. ITEM 23a)
23A	SEE PAGES 8 - 9	PICKUP
24	<----- 34128 ----->	SPROCKET, CONVEYOR DRIVE MOTOR, 20T (STANDARD SPEED) .317 BORE
25	<----- 22159-0003 ----->	SPROCKET, SHAFT DRIVE SHAFT, 20T 5/8 BORE
26	50050	ASSEMBLY, DRIVE CHAIN (INC. ITEM 26a)
26A	<----- 3101212 ----->	MASTER LINK, DRIVE CHAIN
27	58257	ASSEMBLY, CHAIN COVER FOR OVENS WITH RIGHT-SIDE CONTROLS
28	50057	BELT, CONVEYOR, 18"/457mm, STANDARD
28A	<----- 8500236 ----->	12" SECTION OF BELT
29	49917	CRUMB PAN
30	58258	END STOP
31	50040	EXIT TRAY, 8"/203mm
33	58391	KIT, MASTER LINK
34	58283	DRIP PAN



- A = 58387 WLDMT,PLT OTR L3 RSD 304 RL
58409 PLATE,INR L6 COL 304 RL
58289 WLDMT.MANF L6 RSD 304 RL
- B = 57571 PLATE,OUTER L6 304
57572 PLATE,INNER COL L6 304
57576 WLDMT,MANIFOLD L6 304

C =

D =

E =

F =

G =

Notes

RT TO LT IS MIRROR IMAGE OF ABOVE
TOP OVEN: 450° F @ 8:30 MIN
BOT OVEN: 300° F @ 8:30 MIN

Rev	Date	Description	By
C	2/3/2006	58409 WAS 58284, 57571 WAS 58290, 57572 WAS 58284	AJ
C		57576 WAS 58289 ECN 006037	
B	1/30/2006	RELEASE TO PRODUCTION ECN 006037	AJ

Description

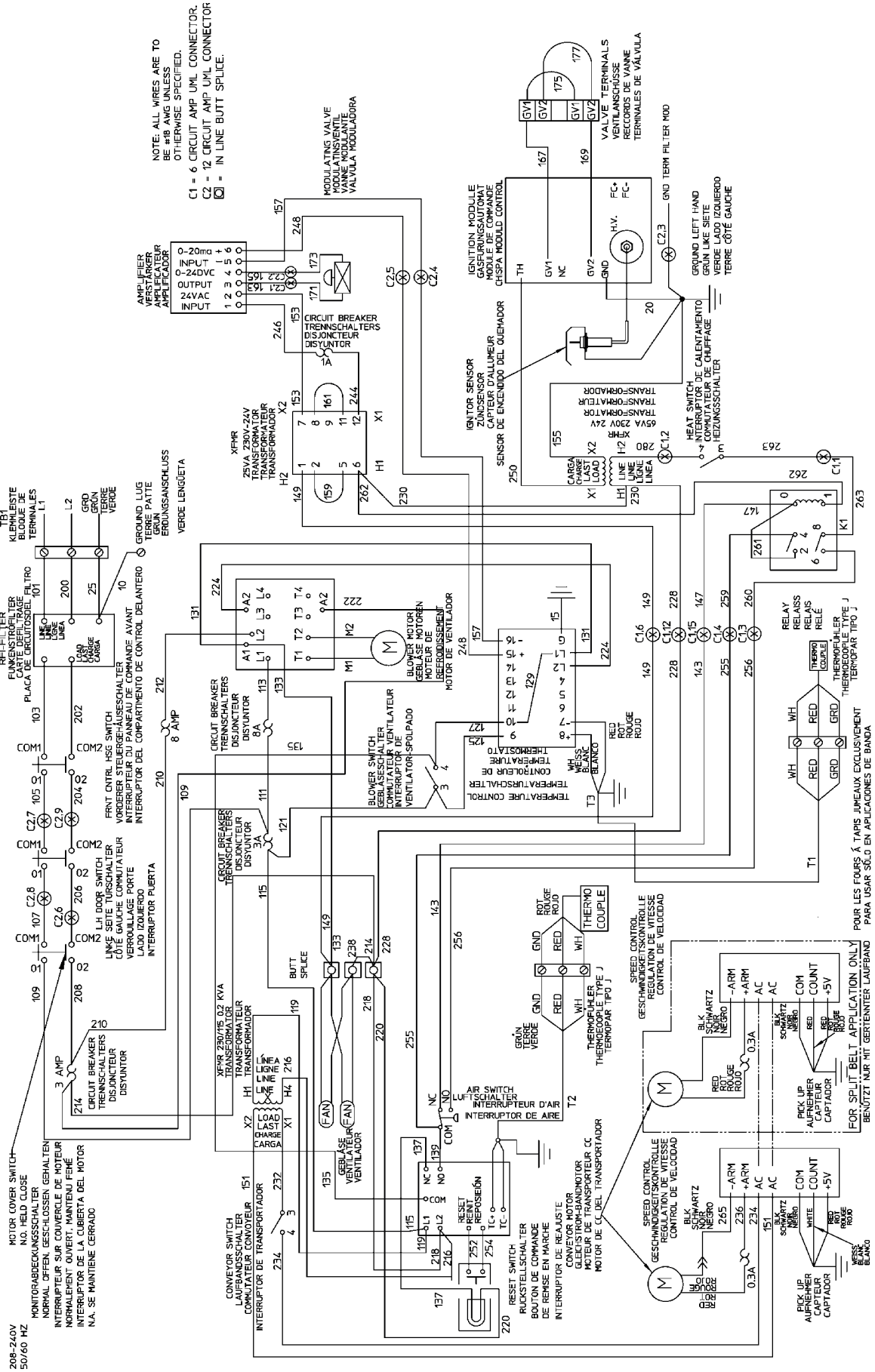
CNFIG,FNGR 536GS MM/WND REDLOB

P/N 58981

Rev C



Wiring Diagrams (electrical schematics)



208;240 volt 50/60 Hz, 1 Phase ENG/GM/FR/SP

55553B

