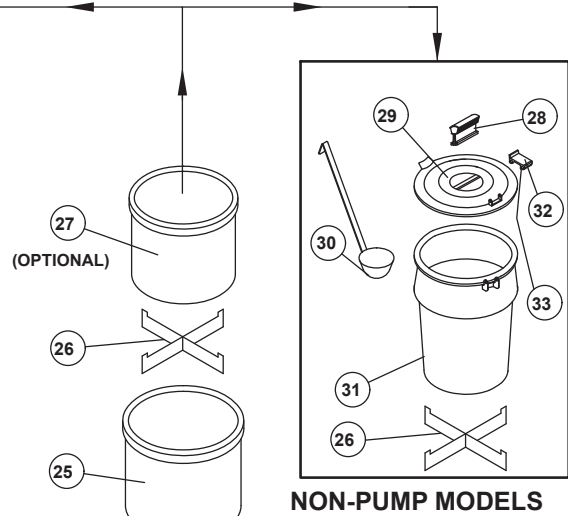
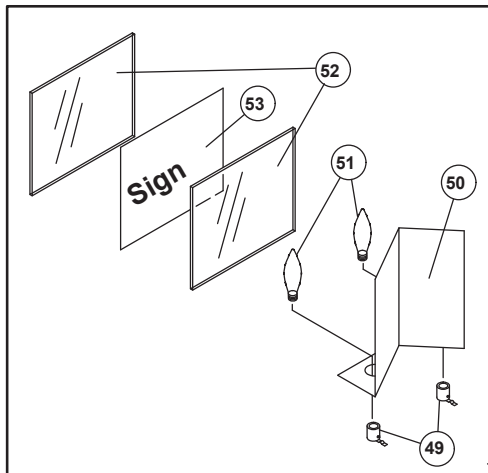


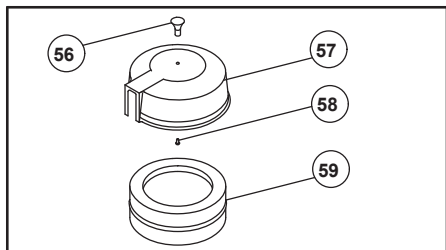
**PUMP MODELS**



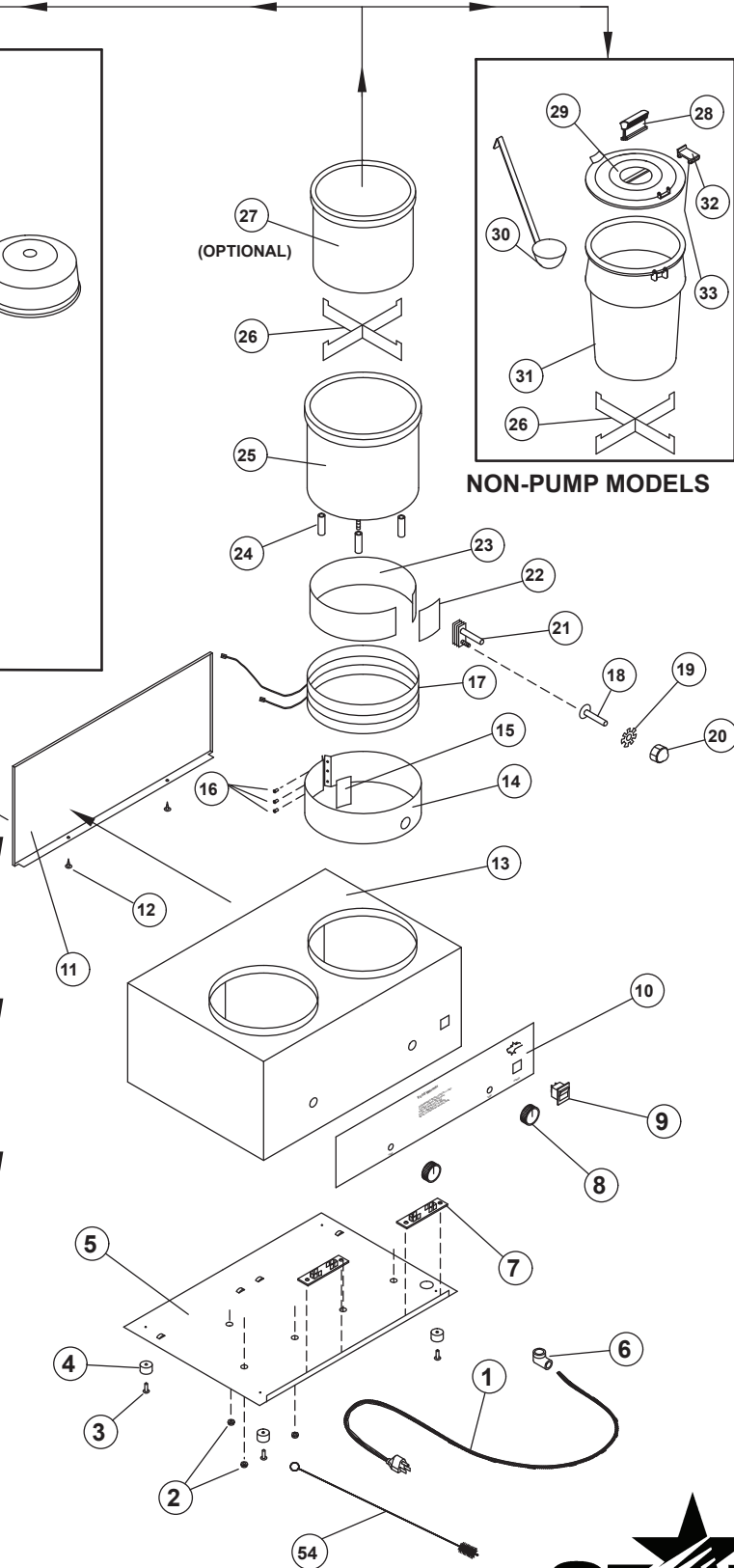
**NON-PUMP MODELS**



**LIGHTED MODELS**



**MODELS WITH RING & COVER**



**MODEL 3DWLA-3DWSA**  
**3 1/2QT., 4 1/8QT. 120V/240V**

**STAR MANUFACTURING INTERNATIONAL, INC.**  
**SK1270 REV. E 8-13-13**

# PARTS LIST

January 4, 2013, Rev. H

MODEL 3DWSA-3DWLA 120V/240VE

Key Number	Part Number	Number Per Unit	Description
1	P1-30220	1	CORD ASSY. 120V
	N2-30410	1	CORD ASSY. 240V
2	2C-2559	6	10-24 NUT
3	2C-Y5059	4	POP RIVET
4	2I-H7685	4	FOOT
5	P1-Y8791	1	BOTTOM
6	2K-7889	1	BUSHING 90° HEYCO
7	2E-Y8233	2	TERMINAL BOARD
8	2R-Y8261	2	KNOB-THERMOSTAT
9	2E-Z5884	1	SWITCH
10	2M-Y8818	1	REAR PANEL (SIGN)
11	P1-Y8823	1	FRONT PANEL S.S
11A	2M-Y8819	1	FRONT PANEL BLACK, NON-LIGHTED MODELS
12	2C-1631	2	SCREW #6 x 1/4
13	P1-30216	1	BODY ASSY. (WARMER)
	P1-30217	1	BODY ASSY. (ONE HEATED SPOUT)
	P1-30218	1	BODY ASSY. (TWO HEATED SPOUTS)
14	N2-Y8130	2	BAND
15	N2-Y8310	2	PLATE
16	2C-H5569	6	POP RIVET 1/8 x .6
17	2N-Y8227	2	ELEMENT 120V
	2N-Y8226	2	ELEMENT 240V
18	2C-Y8312	2	SCREW 8-32 x 1 FH
19	2C-H8670	4	WASHER-LOCK #8
20	2C-2556	4	NUT #8-32
21	2T-Y8262	2	THERMOSTAT
22	N2-Y8129	2	BRACKET
23	N2-Y8127	2	BAND-HEATER
24	2A-Y8556	6	SPACER
25	N2-30423	2	BOWL ASSY.
26	N2-30455	2	SPACER
27	2D-H6295	2	STAINLESS INSET (OPTIONAL) - SSB
28	2R-Y5701	2	HANDLE (INCLUDED ON SSB-4H)
29	N2-30436	2	COVER (INCLUDED ON SSB-4H)
30	2L-Z0577	2	LADLE 1 OZ.
NI	N2-30440	1	INSERT & COVER ASSY (INCLUDES KEY NO. 31, 32, 33)
31	N2-30437	2	INSET
32	2P-Y5703	2	HINGE-LEAF
33	2B-Y5792	4	PIN-HINGE
34	2R-Y9854	2	KNOB-BLK.
35	2A-Y9637	2	NUT
36	2L-Y7618	2	COVER
37	2V-Y7661	2	PLUNGER-SHIELD
38	2A-Z0718	2	GUIDE
39	2P-Z0830	2	SPRING
40	N2-Y4146	2	WASHER
41	2I-Y9636	2	ROD/PLUNGER
42	2I-Y4143	2	O-RING
43	2P-Y6196	4	BALL-VALVE
44	2A-Y7658	2	NUT
45	2I-Z0730	2	PUMP CHAMBER
46	2A-Y9685	2	PIN-"U"

**IMPORTANT: WHEN ORDERING, SPECIFY VOLTAGE OR TYPE GAS DESIRED  
INCLUDE MODEL AND SERIAL NUMBER**

PAGE 1  
OF 2

Some items are included for illustrative purposes only and in certain instances may not be available.



**Star Manufacturing International, Inc.**

# PARTS LIST

January 4, 2013, Rev. H

MODEL 3DWSA-3DWLA 120V/240VE

Key Number	Part Number	Number Per Unit	Description
47	2V-62008	2	DISPENSE TUBE ASSEMBLY STANDARD
48	N2-30449	2	SPOUT ASSY. 120V
	NLA	2	SPOUT ASSY. 240V If built before 10-10-1996
	N2-30450	2	SPOUT ASSY. 240V If built after 10-10-1996
49	2E-Y8515	4	LAMP SOCKET 120V
	2E-Z0826	4	LAMP SOCKET 240V
50	N2-30428	2	LAMP REFLECTOR 120V
	N2-30431	2	LAMP REFLECTOR 240V
51	2S-Y8552	4	LAMP 15W 120V
	2S-Y8321	4	LAMP 15W 220V
52	2Q-Y8617	4	LEXAN PANEL
53	2M-Z0707	1	SIGN PACKET 6 TOTAL
	NLA	1	SIGN "HOT NACHOS"
	2M-Y8496	1	SIGN "BBQ"
	2M-Y8498	1	SIGN "CHILI"
	2M-Y8499	1	SIGN "CHILI DOG"
	2M-Y8500	1	SIGN "FUDGE"
	2M-Y8745	1	SIGN "SOUP"
54	2P-Y6211	1	BRUSH
55	2A-Y6124	2	SPACER 3/4 OZ. (HOST MARRIOT ONLY)
56	2R-Z0872	2	KNOB
57	2L-Z0541	2	COVER
58	2C-1548	2	SCREW
59	2L-Z0540	2	RING
	<b>NOT ILLUSTRATED</b>		
	2D-Y8877	1	BOWL INSERT SSB-4
	2L-Y8876	1	COVER INSERT SSB-4
	N2-62000	1	BASIC ASSY PUMP PARTS

**IMPORTANT: WHEN ORDERING, SPECIFY VOLTAGE OR TYPE GAS DESIRED  
INCLUDE MODEL AND SERIAL NUMBER**

PAGE 2  
OF 2

Some items are included for illustrative purposes only and in certain instances may not be available.



**Star Manufacturing International, Inc.**