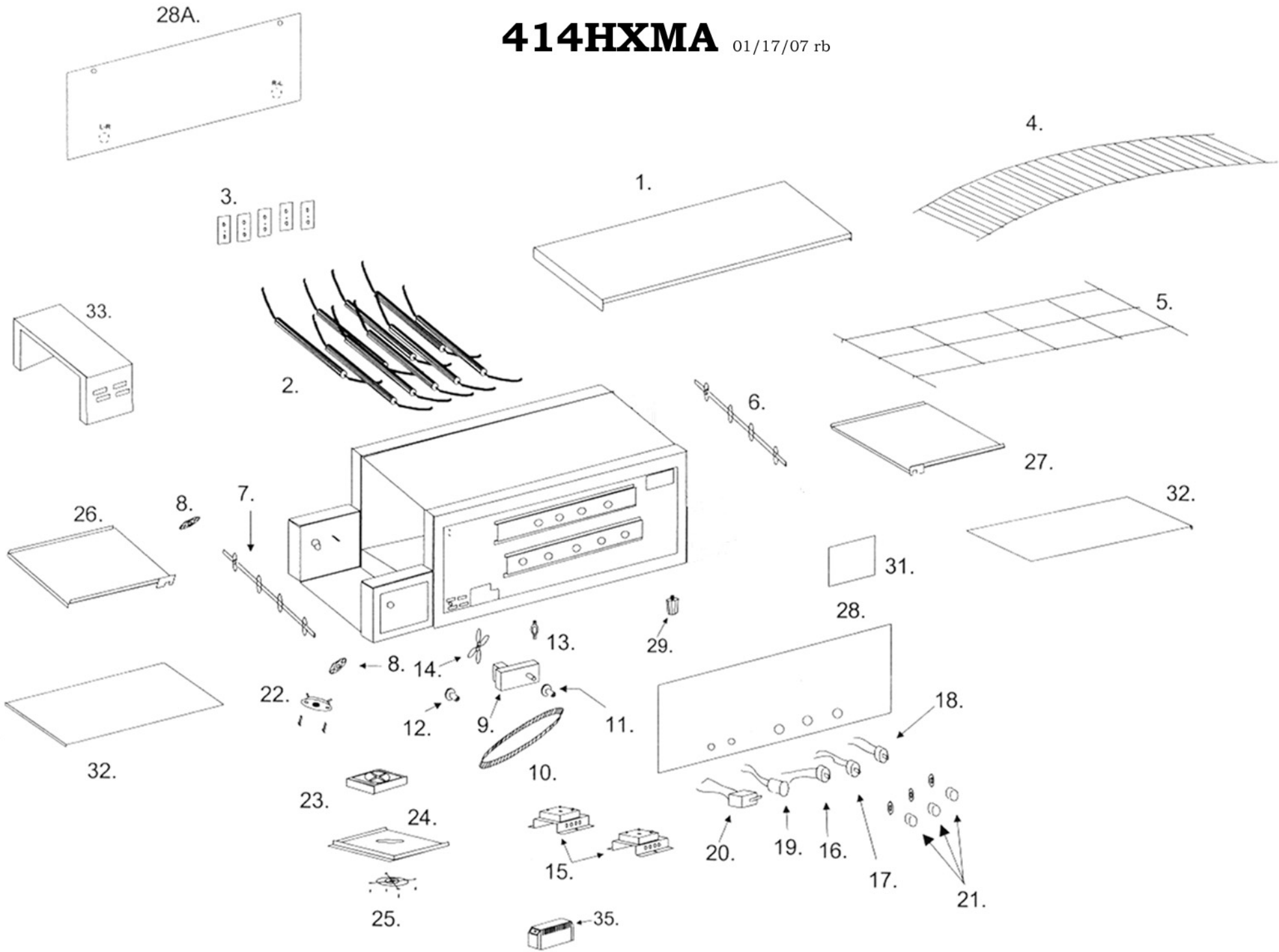


414HXMA 01/17/07 rb



MODEL 414HXMA

Key Number	Part Number	Number Per Unit	Description
1	GE-402163	1	Cover, Top
2	VARIOUS	6	See Heater Chart on Page 2
3	GE-402629	2	Retainer, Heater tube
4	ZZ-160010	1	Conveyor Belt
	2B-200624		Link, Conveyor Belt
	2B-200620		Link - Master, Conveyor Belt
5	GE-100713	1	Rack, Belt Support
6	GE-101257	1	Shaft, Idler
7	GD-101252	1	Shaft, Drive
8	GB-112262	2	Bearing Assembly - 3/8" Teflon
9	2U-200504	1	Motor, Drive (L-R)
	2U-200509	1	Motor, Drive (R-L)
10	GD-150023	1	Chain, Drive (27", 108 Links)
11	2P-200650	1	Sprocket, Drive (25B24 x 5/16")
12	2P-115362	1	Sprocket, Driven (25B11 x 3/8")
13	2E-200574	2	Switch, Fan Motor
14	2R-Z8879	1	Blade, Fan - Black (2-5/8")
15	SP-115339	2	Control, Phase (Complete Assembly)
	2J-200541		Control, Phase (w/o Bracket)
16	GB-118062	1	Switch, Speed Control (Invertec)
17	GD-115350	1	Switch, Top Heat Control
18	GD-115351	1	Switch, Bottom Heat Control
19	2J-Z2329	1	Light, Pilot (8/21/06 & Newer)
	2J-200427	1	Light, Pilot (8/20/06 & Older)
20	2E-200552	1	Switch, Master On/Off
21	SP-115360	3	Knob, Control (Complete Assembly)
	2R-200708		Knob, Control - Cap Only
	2R-200768		Knob, Control - Body Only
	2R-200713		Knob, Control - Skirt Only
22	2E-200566	1	Switch, High Limit Reset
23	2U-200561	1	Motor, Fan
24	GE-402635	1	Cover, Control Box
25	2R-200562	1	Guard, Fan Motor
26	GE-402640	1	Tray, Load-Up
27	GE-100944	1	Tray, Unload
28	GJ-401381	1	Panel, Control
28A	GE-402156	1	Panel, Cord Side (L-R)
	GE-402155		Panel, Cord Side (R-L)
29	2R-200716	4	Leg - Metal (2-1/2")
31	GD-401206	2	Panel, Extension Cover
32	GE-100955	2	Tray, Crumb
33	GE-100982	1	Tunnel Extender
35	GE-Z7855	1	Control, Invertec (Programmed)
NI	2E-200573	1	Contact, 40 Amp
NI	2E-200387	1	Cord, Fan Motor
NI	2M-200872	1	Label, Control Panel
NI	SP-115402	1	Terminal Block, Main Power
NI	2A-200672	1	Collar, 3/8" Shaft
NI	GE-140062	1	Cord, No Plug
NI	2P-200765	2	Bushing, Front Spring Load Teflon
NI	2P-200766	2	Spring, Bearing (1-3/4 x 5/8)

**IMPORTANT: WHEN ORDERING, SPECIFY VOLTAGE OR TYPE GAS DESIRED
INCLUDE MODEL AND SERIAL NUMBER**

PAGE 1
OF 2

Some items are included for illustrative purposes only and in certain instances may not be available.



Star Manufacturing International, Inc.

MODEL 414HXMA

Key Number	Part Number	Number Per Unit	Description
2	GE-198084	6	Heater Tube, Quartz - Top (208V) (550W, 18 ohms @ 104V)
	2N-209195	6	Heater, Metal - Bottom (208V) (550W, 76.66 ohms)
	ZZ-197884	6	Heater Tube, Quartz - Top (220V) (530W, 25.65 ohms @ 120V)
	2N-209204	6	Heater, Metal - Bottom (220V) (550W, 88 ohms)
	GE-198085	6	Heater Tube, Quartz - Top (240V) (550W, 24.6 ohms @ 120V)
	2N-209196	6	Heater, Metal - Bottom (240V) (550W, 104.72 ohms)

IMPORTANT: WHEN ORDERING, SPECIFY VOLTAGE OR TYPE GAS DESIRED
INCLUDE MODEL AND SERIAL NUMBER

PAGE 2
OF 2

Some items are included for illustrative purposes only and in certain instances may not be available.



Star Manufacturing International, Inc.