

Parts List

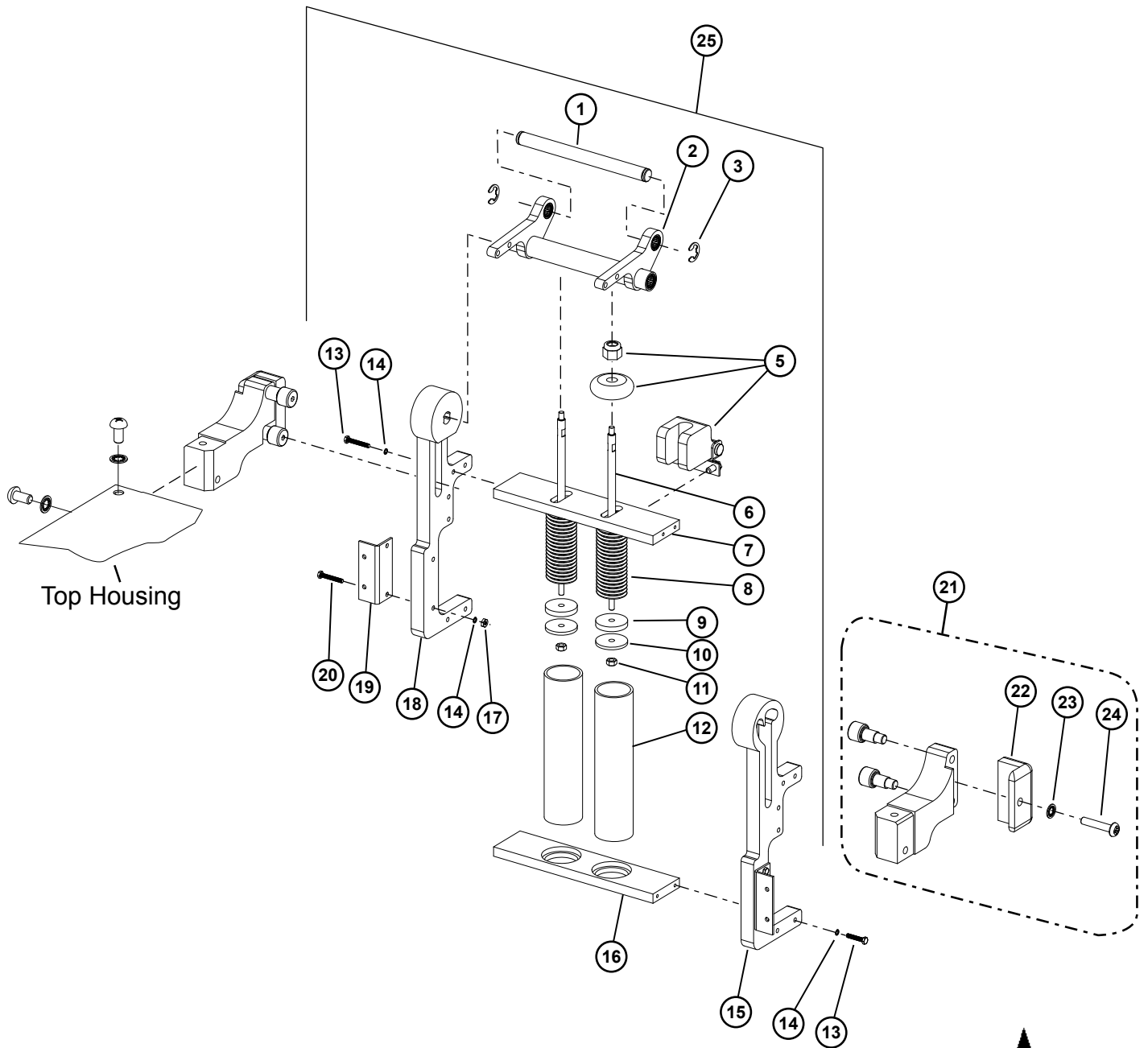
January 07, 2015, Rev. B

Model: GR10E-UK, CG10IE, GR10E & GR10IE 10" SANDWICH GRILL				
Fig No	Part Number	Quantity	Description	Application
1	2B-Z15044	2	ARM, 10" 45 DEG PROLIFT	ALL
2	2C-08-07-0262	14	WASHER, SS 1/4 INT - LOCK	ALL
3	2C-1523	4	SCREW 1/4-20X3/4 SS RHP	ALL
4	2C-Z2992	2	BOLT 1/4-20X1 PHP STL NP	ALL
5	2V-Z14935	1	HANDLE-10"SINGLE-PROLIFT	ALL
6	2A-Z11676	2	CHAIN LINK, 50SS	ALL
7	2V-Z11388	2	LINK ASSY BASE, TOP	ALL
8	2C-6260	6	WASHER #10 INT STL NP	ALL
9	2C-1512	7	SCREW 10-24X3/8 RHP STL	ALL
10	2F-Z11945	1	BRACKET LT, ROLLER MOUNT	ALL
11	2F-Z11946	1	BRACKET RT, ROLLER MOUNT	ALL
12	2C-Z13975	4	CAM FOLLOWER ASSY	ALL
13	2A-Z12620	2	SPACER BLOCK	ALL
14	2C-1516	2	SCREW 10-24X1 STL RH NP	ALL
15	D9-Z14934	1	TOP HOUSING, LEFT, 10"	ALL
17	2C-1522	8	SCREW 1/4-20X.5 STL R.H.	ALL
18	2C-Z5883	9	10-24 X 1/2 FZA SCREW	ALL
19	2E-Z3768	1	LOCKNUT, CONDUIT, 1/2 IN.	ALL
20	D9-Z11751	1	PLATE, TOP CONDUIT KEEPER	ALL
21	2C-Y3999	2	RIVET 3/16X.44 POP AL SM	ALL
22	2E-Z11699	1	CONDUIT, 1.2' 90 DEG	ALL
23	2C-Z2893	16	NUT 10-24 HEX STL ZP	ALL
24	D9-Z2772	1	TOP ELEMENT/INS. PLATE/10	ALL
25	D9-GR0558	1	ASSY - TOP ELEMENT	GR10E-UK, CG10IE-230/240V
	D9-GR0575		EL.AY, TOP, 800W, 120V	120V, 120C,
26	2C-1515	1	SCREW 10-24X 75 ST RH NP	ALL
27	2C-1827	3	WASHER #10 EXT STL NP	ALL
28	2C-2853	1	SCREW #8 5/8 A	ALL
29	2C-Z3350	2	HALF CLAMP .188 D STL ZP	ALL
30	D9-Z14856	1	BRACKET, PROBE MOUNT	ALL
31	2C-08-07-0285	8	SCREW 10-24X3/4X3/8 TYPE	ALL
32	2F-Z1928	1	CASTING-10" TOP ALUM.	GR10E-UK, GR10E, GR10IE
	2F-Z1934		MACH-CAST GR, TOP IRON 10	CG10IE
33	2F-Z1929	1	CASTING-10" BOTTOM ALUM.	GR10E-UK, GR10E, GR10IE
	2F-Z1935		MACH-CAST GR.BOT IRON 10	CG10IE
34	D9-Z12027	1	PROBE BRACKET - BOTTOM	ALL
35	D9-GR0559	1	ASSY ELEMENT BOTTOM	GR10E-UK, CG10IE-230/240V
	D9-GR0576		EL.AY,BTM, 1000W, 120V	120V, 120C,
36	D9-Z2773	1	BTM ELEMENT RET. PLATE	ALL
37	D9-Z2774	1	BTM. INSULATION RET. PLT.	ALL
38	2E-Z2770	1	CORD, POWER, 14-3, 6-15P	ALL
	2E-Z2935		CORD SJTD 14/3 NEMA 5-15P	CG10IE120V
	2E-Z4119		POWER CORD, 12/3, 5/20P	120C UNITS
	2E-Z9192		CORDSET(DETACHABLE) - UK	GR10E-UK
39	2A-Z11501	4	FOOT 1" SOLID RUBBER	ALL
40	D9-GR0550	1	BASE ASSY/GREASE CAB-10"	120/240V
	D9-GR0552		BASE ASM/GRS CAB-10-120VC	120C
	D9-GR0553		BASE ASM/GRS CAB-10"-230V	GR10E-UK, CG10IE-230V
41	2E-Y9253	1	INLET IEC 320 16 AMP	GR10E-UK, CG10IE-230V
42	D9-GR0517	1	GREASE DRAWER ASSY.	GR10E-UK, CG10IE-240V

Parts List

January 07, 2015, Rev. B

Model: GR10E-UK, CG10IE, GR10E & GR10IE 10" SANDWICH GRILL				
Fig No	Part Number	Quantity	Description	Application
43	2J-Z11593	1	CONTROL BOARD, SINGLE SG	ALL
44	2K-Z1971	4	SPACER .257X.75X.25 NYLON	ALL
45	2E-Z3808	1	SWITCH(EATON)-30A@120V,	ALL
46	Z1-70-07-0343	1	SWITCH GUARD	ALL
47	2M-12-07-0038	1	LABEL ON & OFF	ALL
48	2I-05-07-0013	1	BOOT SWITCH	ALL
49	2V-Z3072	2	HANDLE-SIDE	ALL
50	D9-GR0053	1	REAR LINER ASSY.-10"/BOT	ALL
51	2C-Z2594	8	NUT 6-32 HEX W STL NP	GR10E-UK
		12		ALL
52	2E-Z2894	1	TERMINAL BLOCK (304)	ALL
53	2E-05-07-0350	1	TRANSFORMER 230V/10V 6VA	GR10E-UK, 230/240V
	2E-05-07-0351		TRANSFORMER 115/10V 6VA	120V, 120C,
NI	2E-Z3278	1	RTD PROBE - 48" LONG WIRE, TOP	ALL
NI	2E-Z1470	1	RTD PROBE - 2K, OHMS, 24" LDS, BTM	ALL
NI	2E-Z3335	2	RELAY DBL POLE-SNGL THROW	ALL
NI	2K-Y3240	1	BUSHING HEYCO SR 17-2	CG10IE-120/240V
NI	2K-Y6764	1	BUSHING - STRAIN RELIEF	CG10IE-120C
NI	2M-Z15357	1	OVERLAY, 10" W/ELE CNTROL	ALL
NI	D9-Z2908	2	INSULATION - 10"	ALL



MODEL: SG HINGE MECHANISM

PS-GR0536, PS-GR0537, PS-GR0538
 PS-GR0560, PS-GR0561



STAR MANUFACTURING INTERNATIONAL, INC.
 SK2507 Rev. D 1/15/14

PARTS LIST

January 07, 2015, Rev. B

HINGE MECHANISM TWO SIDED GRILLS				
Fig No	Part No	Description	Qty	Application
1	2A-Z15740	SPRING GUIDE MTG ROD, 14"	1	ALL SINGLE 14" UNITS
	2A-Z11404	SPRING GUIDE MOUTING ROD		SPLIT TOP
	2A-Z16413	MOUNTING ROD		10" UNITS
2	2A-Z15739	ASSEMBLY CROSSBAR, 14"	1	ALL SINGLE 14" UNITS
	2V-Z12452	ARM GUIDE ASSY., ST		SPLIT TOP
	2A-Z16415	ASSEMBLY CROSSBAR, 10"		10" UNITS
3	2C-Z11807	E-RING 5/8	AR	ALL
5	D9-GR0515	BASIC ASSY, STOP	1	ALL
6	2V-Z19095	ROD, SPRING GUIDE	1	SPLIT TOP
			2	ALL SINGLE
7	2V-Z11400	SPRING SUPPORT, TOP	1	ALL SINGLE 14" UNITS
	2A-Z11406	SPRING SUPPORT, TOP, SPT		SPLIT TOP
	2V-Z14936	SPRING SUPPORT, TOP-10"		ALL SINGLE 10" UNITS
8	2P-Z11408	SPRING, 14" AL	2	SMOOTH & GROOVED ALUMINUM
	2P-Z11408	SPRING, 14" AL	1	SMOOTH IRON
	2P-Z11409	SPRING, COMPRESSION, SPT		
	2P-Z11409	SPRING, COMPRESSION, SPT	1	SPLIT ALUMINUM
	2P-Z13941	SPRING COMPRESSION, 14" GR IRON	2	GROOVED IRON
	2P-Z15100	SPRING, COMPRESSION, 10" IRON		10" IRON
	2P-Z15137	SPRING, COMPRESSION, 10" AL		10" ALUMINUM
9	2A-Z11397	SPRING PISTON STOP	1	SPLIT TOP
			2	ALL SINGLE
10	2C-Z2670	NUT 1/4-20 W/LOCKWASHER	1	SPLIT TOP
		NUT 1/4-20 W/LOCKWASHER	2	ALL SINGLE
11	2V-Z11399	SPRING TUBE	1	SPLIT TOP
			2	ALL SINGLE
12	2C-9704	SCREW 10-24X1 STL HEX NP	8	SPLIT TOP
13	2C-20204-07	WASHER S/S #10 LOCK INT	12	ALL
14	2F-Z11383	LEFT SUPPORT	1	ALL
15	2V-Z11401	SPRING SUPPORT, BOTTOM	1	ALL SINGLE 14" UNITS
	2A-Z11407			SPLIT TOP
	2V-Z14937			ALL SINGLE 10" UNITS
16	2C-200230	NUT 10-24 HEX SS	4	ALL
17	2F-Z11384	RIGHT SUPPORT	1	ALL
18	D9-Z11387	SUPPORT MOUNTING BRACKET	2	ALL SINGLE
	D9-Z11883			SPLIT TOP
19	2C-Z11821	SCREW 10-24X1-1/4 HHD	4	ALL
20	PS-GR0574	SER. KIT BRKT AYS, STE (2 BRK, 4 CAMS)		ALL SPLIT TOP
	PS-GR0571	SER. KIT BRKT AYS, STD (2 BRK, 4 CAMS)		NON SPLIT TOP
22	2A-Z12620	SPACER BLOCK	2	ALL
23	2C-6260	#10 INTERNAL TOOTH LOCK WASHER	2	ALL
24	2C-1516	#10-24 UNC X 1.00 LG RHP SCREW	2	ALL
NI	61-Q2686	LOCTIT THREADLOCKER 242	AR	
ITEM 25 DOES NOT INCLUDE ITEMS 20 THRU 24				
25	PS-GR0536	KIT, HINGE SPING 14 SPLT	2	SPLIT TOP
	PS-GR0537	KIT, HINGE SPRING, 14" ALUMINUM	1	14" ALUMINUM
	PS-GR0538	KIT, HINGE SPRING, 14" IRON	1	14" IRON
	PS-GR0560	KIT, HINGE & SPRING, 10 ALUM	1	10" ALUMINUM
	PS-GR0561	KIT, HINGE & SPRING, 10 IRON	1	10" IRON
SG HINGE SERVICE KITS				
	PS-GR0570	SER. KIT CROSSBAR, 14" STD		
	PS-GR0571	SER. KIT BRACKETS, SG MODELS		
	PS-GR0592	SERVICE KIT, ROLLER MOUNT BRACKETS (LEFT & RIGHT) STE MODELS		