

Parts List

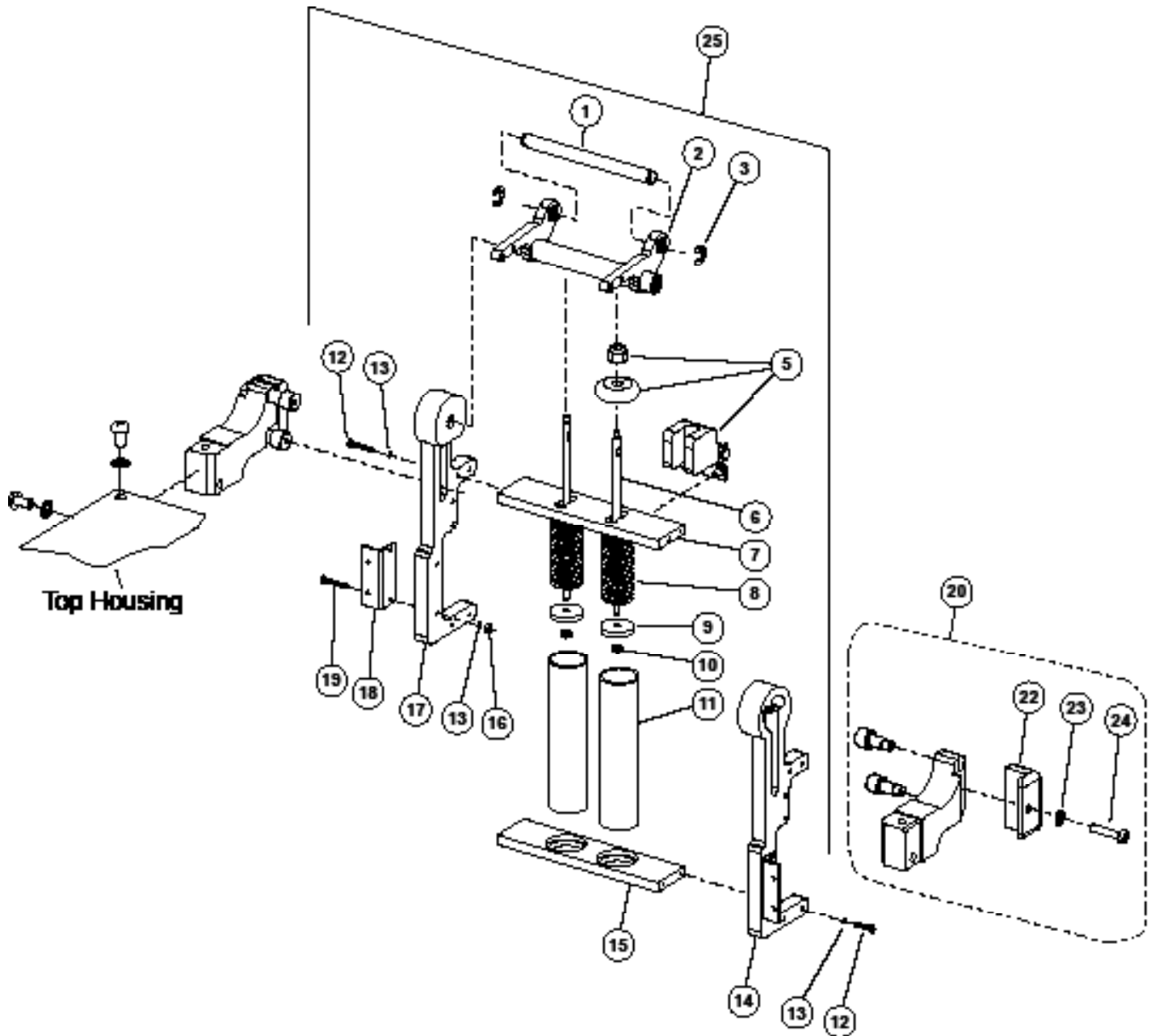
January 07, 2015, Rev B

Model: GR10TB, GR10ITB, CG10ITB 10" SANDWICH GRILL				
Fig No	Part Number	Quantity	Description	Application
1	2B-Z15044	2	ARM, 10" 45 DEG PROLIFT	
2	2C-08-07-0262	14	WASHER, SS 1/4 INT - LOCK	
3	2C-1523	4	SCREW 1/4-20X3/4 SS RHP	
4	2C-Z2992	2	BOLT 1/4-20X1 PHP STL NP	
5	2V-Z14935	1	HANDLE-10"SINGLE-PROLIFT	
6	2A-Z11676	2	CHAIN LINK, 50SS	
7	2V-Z11388	2	LINK ASSY BASE, TOP	
14	2C-1516	2	SCREW 10-24X1 STL RH NP	
15	D9-Z14934	1	TOP HOUSING, LEFT, 10"	
17	2C-1522	8	SCREW 1/4-20X.5 STL R.H.	
18	2C-Z5883	9	10-24 X 1/2 FZA SCREW	
19	2E-Z3768	1	LOCKNUT, CONDUIT, 1/2 IN.	
20	D9-Z11751	1	PLATE, TOP CONDUIT KEEPER	
21	2C-Y3999	2	RIVET 3/16X.44 POP AL SM	
22	2E-Z11699	1	CONDUIT, 1.2' 90 DEG	
23	2C-Z2893	16	NUT 10-24 HEX STL ZP	
24	D9-Z2772	1	TOP ELEMENT/INS. PLATE/10	
25	PS-Z1978	1	ELEMENT, 800W@120V 18ohms, 6.67amps	120V / 120VC
	PS-Z2019		ELEMENT, 800W, 240V TOP	230/240V
26	2C-1515	1	SCREW 10-24X 75 ST RH NP	
27	2C-1827	2	WASHER #10 EXT STL NP	
28	2C-2853	1	SCREW #8X5/8 A THP STL	
29	2C-Z3350	2	HALF CLAMP .188 D STL ZP	
30	D9-Z14856	1	BRACKET, PROBE MOUNT	
31	2C-08-07-0285	8	SCREW 10-24X3/4X3/8 TYPE	
32	2F-Z1928	1	CASTING-10" TOP ALUM.	GR10TB
	2F-Z1932		CASTING-SM. TOP, IRON-10"	GR10ITB
	2F-Z1934		MACH-CAST GR, TOP IRON 10	CG10ITB
33	2F-Z1929	1	CASTING-10" BOTTOM ALUM.	GR10TB
	2F-Z1933		CASTING,SM. BOT.,IRON-10"	GR10ITB
	2F-Z1935		MACH-CAST GR, BOT IRON 10	CG10ITB
34	D9-Z12027	1	PROBE BRACKET - BOTTOM	
35	2N-Z1979	1	ELEMENT, HEATING, 1000W@120V, 14.45ohms	120V
	D9-GR0559		ASSY ELEMENT BOTTOM, 1000W	230/240V
36	D9-Z2773	1	BTM ELEMENT RET. PLATE	
37	D9-Z2774	1	BTM. INSULATION RET. PLT.	
38	2E-Y9251	1	CORD SET CONT EUR 16AMP	230V
	2E-Z2770		CORD, POWER, 14-3, 6-15P	240V
	2E-Z2935		CORD SJTO 14/3 NEMA 5-15P	120V
	2E-Z4119		POWER CORD, 12/3, 5-20P	120VC
39	2A-Z11501	4	FOOT 1" SOLID RUBBER	
40	D9-GR0550	1	BASE ASSY/GREASE CAB-10"	120V
	D9-GR0552		BASE ASM/GRS CAB-10"-120VC	120VC
	D9-GR0553		BASE ASM/GRS CAB-10"-230V	230V

Parts List

January 07, 2015, Rev B

Model: GR10TB, GR10ITB, CG10ITB 10" SANDWICH GRILL				
Fig No	Part Number	Quantity	Description	Application
41	2E-Y9253	1	INLET IEC 320 16 AMP	CE
	2K-Y3240		BUSHING HEYCO ST 17-2	120V
	2K-Y6764		BUSHING - STRAIN RELIEF	120VC
42	D9-GR0517	1	GREASE DRAWER ASSY.	
43	2C-Z2594	4	NUT 6-32 HEX STL NP W/LOCK	
44	2K-Z1971	4	SPACER .257X.75X.25 NYLON	
45	2J-Z1836	1	TIMER CONTROL	
46	2E-Z6863	1	SWITCH - 120/240V, DPDT	
47	2T-6774	1	THERMOSTAT 118V-236V	
48	2I-Z3379	1	T-STAT GROMMET	
49	2I-Z3380	2	THERMOSTAT SEAL WASHER	
50	2C-1488	2	SCREW 6-32X3/8 RHP STL NP	
51	2R-Z4621	1	KNOB, 1-3/4 - .250"D"HOLE	
52	2J-Y6689	1	PILOT LIGHT 120V	120V, 120VC
	2J-Z2329		PILOT LIGHT	230V / 240V
53	2I-05-07-0013	1	BOOT - SWITCH	
54	2M-Z7560	1	LABEL-ON/OFF SAND. GRILL	
55	2V-Z3072	2	HANDLE-SIDE	
56	D9-GR0053	1	REAR LINER ASSY.-10"/BOT	
57	2C-Z2594	8	NUT 6-32 HEX W STL NP	
58	2E-Z2894	1	TERMINAL BLOCK (304)	
59	2E-05-07-0350	1	TRANSFORMER 230V/10V 6VA	230V / 240V
	2E-05-07-0351		TRANSFORMER 115/10V 6VA	120V, 120VC
NI	2M-Z6881	1	OVERLAY, W/TIMER - 10"	
NI	D9-Z2908	2	INSULATION - 10"	



MODEL: SG HINGE MECHANISM

PS-GR0536, PS-GR0537, PS-GR0538

PS-GR0560, PS-GR0561



STAR MANUFACTURING INTERNATIONAL, INC.

SK2507

Rev. C

1/08/14

PARTS LIST

January 07, 2015, Rev B

HINGE MECHANISM TWO SIDED GRILLS				
Fig No	Part No	Description	Qty	Application
1	2A-Z15740	SPRING GUIDE MTG ROD, 14"	1	ALL SINGLE 14" UNITS
	2A-Z11404	SPRING GUIDE MOUNTING ROD		SPLIT TOP
	2A-Z16413	MOUNTING ROD		10" UNITS
2	2A-Z15739	ASSEMBLY CROSSBAR, 14"	1	ALL SINGLE 14" UNITS
	2V-Z12452	ARM GUIDE ASSY., ST		SPLIT TOP
	2A-Z16415	ASSEMBLY CROSSBAR, 10"		10" UNITS
3	2C-Z11807	E-RING 5/8	AR	ALL
5	D9-GR0515	BASIC ASSY, STOP	1	ALL
6	2V-Z19095	ROD, SPRING GUIDE	1	SPLIT TOP
			2	ALL SINGLE
7	2V-Z11400	SPRING SUPPORT, TOP	1	ALL SINGLE 14" UNITS
	2A-Z11406	SPRING SUPPORT, TOP, SPT		SPLIT TOP
	2V-Z14936	SPRING SUPPORT, TOP-10"		ALL SINGLE 10" UNITS
8	2P-Z11408	SPRING, 14" AL	2	SMOOTH & GROOVED ALUMINUM
	2P-Z11408	SPRING, 14" AL	1	SMOOTH IRON
	2P-Z11409	SPRING, COMPRESSION, SPT		
	2P-Z11409	SPRING, COMPRESSION, SPT	1	SPLIT ALUMINUM
	2P-Z13941	SPRING COMPRESSION, 14" GR IRON	2	GROOVED IRON
	2P-Z15100	SPRING, COMPRESSION, 10" IRON		10" IRON
	2P-Z15137	SPRING, COMPRESSION, 10" AL		10" ALUMINUM
9	2A-Z11397	SPRING PISTON STOP	1	SPLIT TOP
			2	ALL SINGLE
10	2C-Z2670	NUT 1/4-20 W/LOCKWASHER	1	SPLIT TOP
		NUT 1/4-20 W/LOCKWASHER	2	ALL SINGLE
11	2V-Z11399	SPRING TUBE	1	SPLIT TOP
			2	ALL SINGLE
12	2C-9704	SCREW 10-24X1 STL HEX NP	8	SPLIT TOP
13	2C-20204-07	WASHER S/S #10 LOCK INT	12	ALL
14	2F-Z11383	LEFT SUPPORT	1	ALL
15	2V-Z11401	SPRING SUPPORT, BOTTOM	1	ALL SINGLE 14" UNITS
	2A-Z11407			SPLIT TOP
	2V-Z14937			ALL SINGLE 10" UNITS
16	2C-200230	NUT 10-24 HEX SS	4	ALL
17	2F-Z11384	RIGHT SUPPORT	1	ALL
18	D9-Z11387	SUPPORT MOUNTING BRACKET	2	ALL SINGLE
	D9-Z11883		SPLIT TOP	
19	2C-Z11821	SCREW 10-24X1-1/4 HHD	4	ALL
20	PS-GR0574	SER. KIT BRKT AYS, STE (2 BRK, 4 CAMS)		ALL SPLIT TOP
	PS-GR0571	SER. KIT BRKT AYS, STD (2 BRK, 4 CAMS)		NON SPLIT TOP
22	2A-Z12620	SPACER BLOCK	2	ALL
23	2C-6260	#10 INTERNAL TOOTH LOCK WASHER	2	ALL
24	2C-1516	#10-24 UNC X 1.00 LG RHP SCREW	2	ALL
NI	61-Q2686	LOCTIT THREADLOCKER 242	AR	
ITEM 25 DOES NOT INCLUDE ITEMS 20 THRU 24				
25	PS-GR0536	KIT, HINGE SPING 14 SPLT	2	SPLIT TOP
	PS-GR0537	KIT, HINGE SPRING, 14" ALUMINUM	1	14" ALUMINUM
	PS-GR0538	KIT, HINGE SPRING, 14" IRON	1	14" IRON
	PS-GR0560	KIT, HINGE & SPRING, 10 ALUM	1	10" ALUMINUM
	PS-GR0561	KIT, HINGE & SPRING, 10 IRON	1	10" IRON
SG HINGE SERVICE KITS				
PS-GR0570	SER. KIT CROSSBAR, 14" STD			
PS-GR0571	SER. KIT BRACKETS, SG MODELS			
PS-GR0592	SERVICE KIT, ROLLER MOUNT BRACKETS (LEFT & RIGHT) STE MODELS			

GR10TB, GR10ITB, CG10ITB 10" SANDWICH GRILL