

This drawing contains information confidential to Star Manufacturing International, Inc. No reproduction or disclosure of its contents is permitted.

SOME ITEMS ARE INCLUDED FOR ILLUSTRATIVE PURPOSES ONLY AND IN CERTAIN INSTANCES MAY NOT BE AVAILABLE

MODEL: GR28CCTS- TOP ASSEMBLY

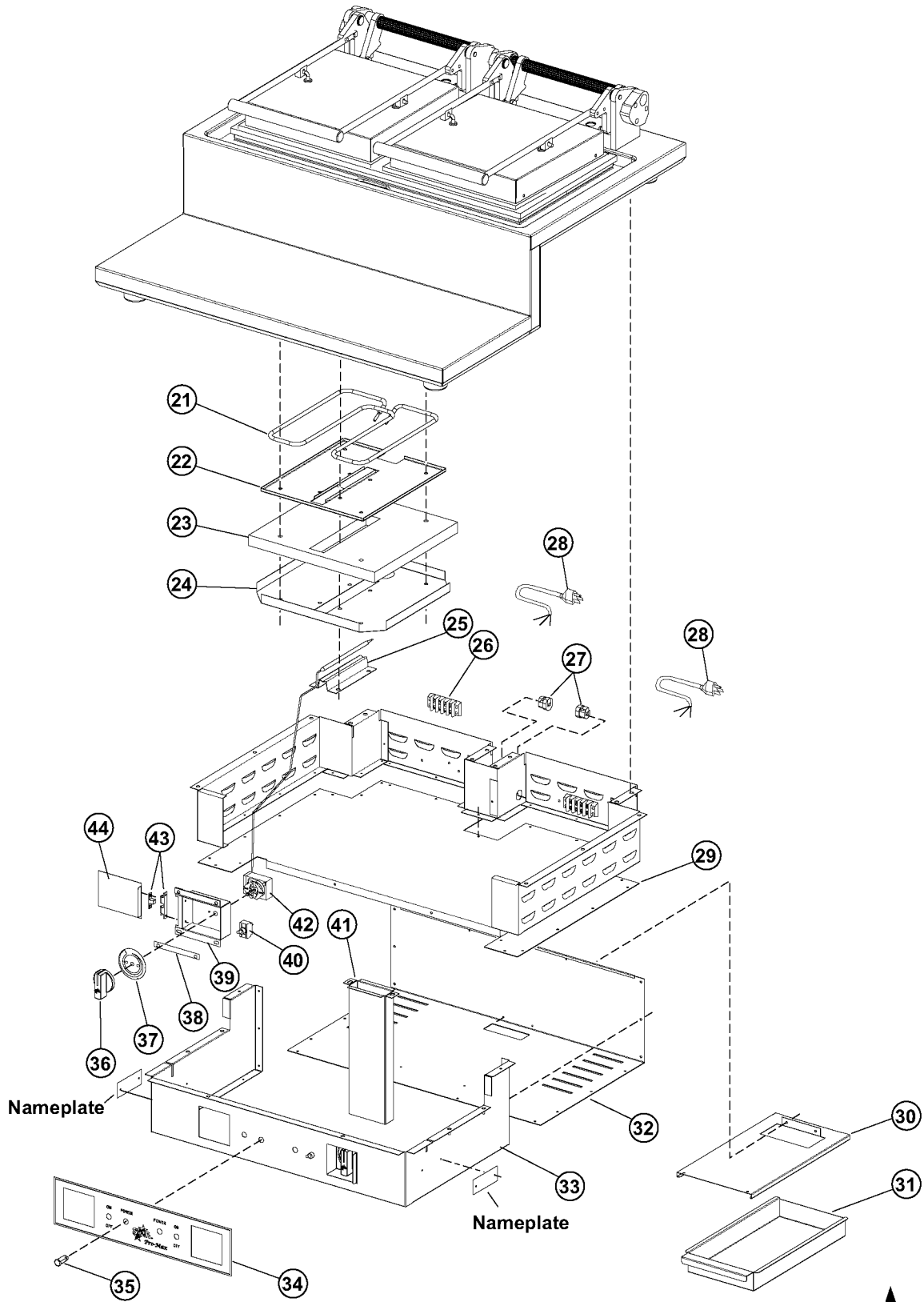


STAR MANUFACTURING INTERNATIONAL, INC.

SK2177

REV. -

3/1/06



This drawing contains information confidential to Star Manufacturing International, Inc. No reproduction or disclosure of its contents is permitted.

SOME ITEMS ARE INCLUDED FOR ILLUSTRATIVE PURPOSES ONLY AND IN CERTAIN INSTANCES MAY NOT BE AVAILABLE



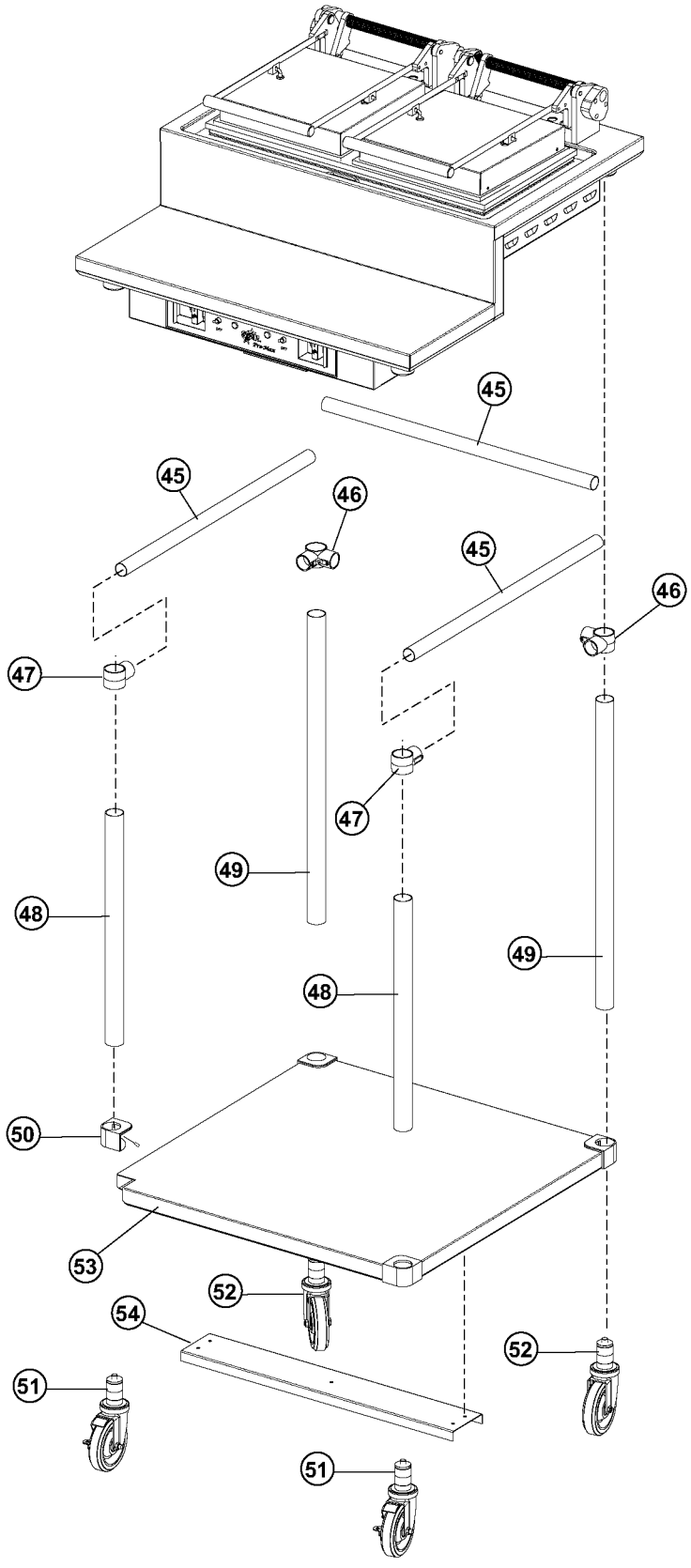
MODEL: GR28CCTS- BOTTOM ASSEMBLY

STAR MANUFACTURING INTERNATIONAL, INC.

SK2176

REV. -

3/1/06



This drawing contains information confidential to Star Manufacturing International, Inc. No reproduction or disclosure of its contents is permitted.

SOME ITEMS ARE INCLUDED FOR ILLUSTRATIVE PURPOSES ONLY AND IN CERTAIN INSTANCES MAY NOT BE AVAILABLE



MODEL: GR28CCTS- Cart Assembly

STAR MANUFACTURING INTERNATIONAL, INC.

SK2175

REV. -

3/1/06

PARTS LIST

April 17, 2006, Rev. A

MODEL GR28CCTS-120V TWO SIDED SPECIALTY WARMER

Key Number	Part Number	Number Per Unit	Description	Model
1	2A-Z9448	2	PIVOT ARM ASSY	
2	2C-Z9403	4	PIVOT PIN	
3	D9-Z4849	2	HOUSING-TOP 14"	
4	D9-Z9420	2	TOP ELEMENT COVER	
5	D9-Z9446	2	INSULATION TOP PLATE	
6	D9-Z9419	2	TOP ELEMENT PLATE	
7	2N-Z1980	2	ELEMENT, TOP, 800W 120V	
8	2F-Z9450	2	TOP PLATE ASSY (w/STUDS)	
9	2C-08-07-0261	8	SCREW 1/4-20 X 3/4 HEX	
10	2C-08-07-0262	8	WASHER 1/4 INT STL NP	
11	2C-08-07-0040	8	NUT 1/4-20 ACHD STL NP	
12	2A-Z3827	2	PLATE STAMPING - CONDUIT	
13	2E-Z2898	2	CONDUIT ASSY	
14	2C-Z3780	4	RETAINER, CONDUIT	
15	2C-Z3917	4	POP-RIVET .188	
16	2E-Z3768	2	LOCKNUT, CONDUIT 1/2 IN.	
17	2A-Z9437	4	TEFLON BUMBER	
18	2R-Z9401	1	COUNTER BALANCE LEFT	
19	2R-Z9402	1	COUNTER BALANCE RIGHT	
20	2F-Z9449	1	BOTTOM PLATE ASSY (w/STUDS)	
21	2N-Z1981	2	ELEMENT, BOTTOM, 1000W 120V	
22	D9-Z9421	2	BOTTOM ELEMENT CLAMP	
23	D9-Z9447	2	INSULATION BOTTOM PLATE	
24	D9-Z9422	2	BOTTOM INSULATION COVER	
25	D9-Z9424	2	BULB CLAMP	
26	2E-Z2894	2	TERMINAL BLOCK	
27	2K-Y2968	2	BUSHING CORD	
28	2E-Z2935	2	CORD SJTO 14/3 NEMA 5-15P	
29	D9-Z9434	1	BOTTOM PANEL	
30	D9-Z9440	1	DRAWER SLIDE	
31	D9-Z9439	1	REFUSE DRAWER	
32	D9-Z9426	1	CONTROL HOUSING BOTTOM	
33	D9-Z9425	1	CONTROL HOUSING ASSY	
34	2M-Z9435	1	LABEL, CONTROL PANEL	
35	2J-Y6689	2	PILOT LIGHT 120V	
36	2R-1299	2	KNOB, THERMOSTAT	
37	2M-Z7219	2	DIAL LABEL 200° - 375° F	
38	D9-Z9428	4	SLIDE SPACERS	
39	D9-Z9427	2	THERMOSTAT HOUSING	
40	2E-Z3808	2	SWITCH 30AMP 120V	
41	D9-Z9441	1	CHUTE REFUSE	
42	2T-Z7268	2	THERMOSTAT 200° - 375°F	
43	2R-Z6740	2	DOOR CATCH	
44	D9-Z9429	2	THERMOSTAT DOOR	
45	2V-Z9407	3	LEG BRACE	
46	2F-Z9409	2	REAR BRACE CONNECTOR	
47	2F-Z9408	2	FRONT BRACE CONNECTOR	
48	2V-Z9406	2	FRONT LEG	
49	2V-Z9405	2	REAR LEG	
50	2F-Z9410	4	CORNER INSERT, SHELF	
51	2P-Y7369	2	FRONT CASTER W/ BRAKE	
52	2P-Y7368	2	REAR CASTER	
53	D9-Z9404	1	SHELF	
54	D9-Z9411	1	SUPPORT SHELF	

**IMPORTANT: WHEN ORDERING, SPECIFY VOLTAGE OR TYPE DESIRED
INCLUDE MODEL AND SERIAL NUMBER**

PAGE 1
OF 1

Some items are included for illustrative purposes only and in certain instances may not be available.



Star Manufacturing International, Inc.