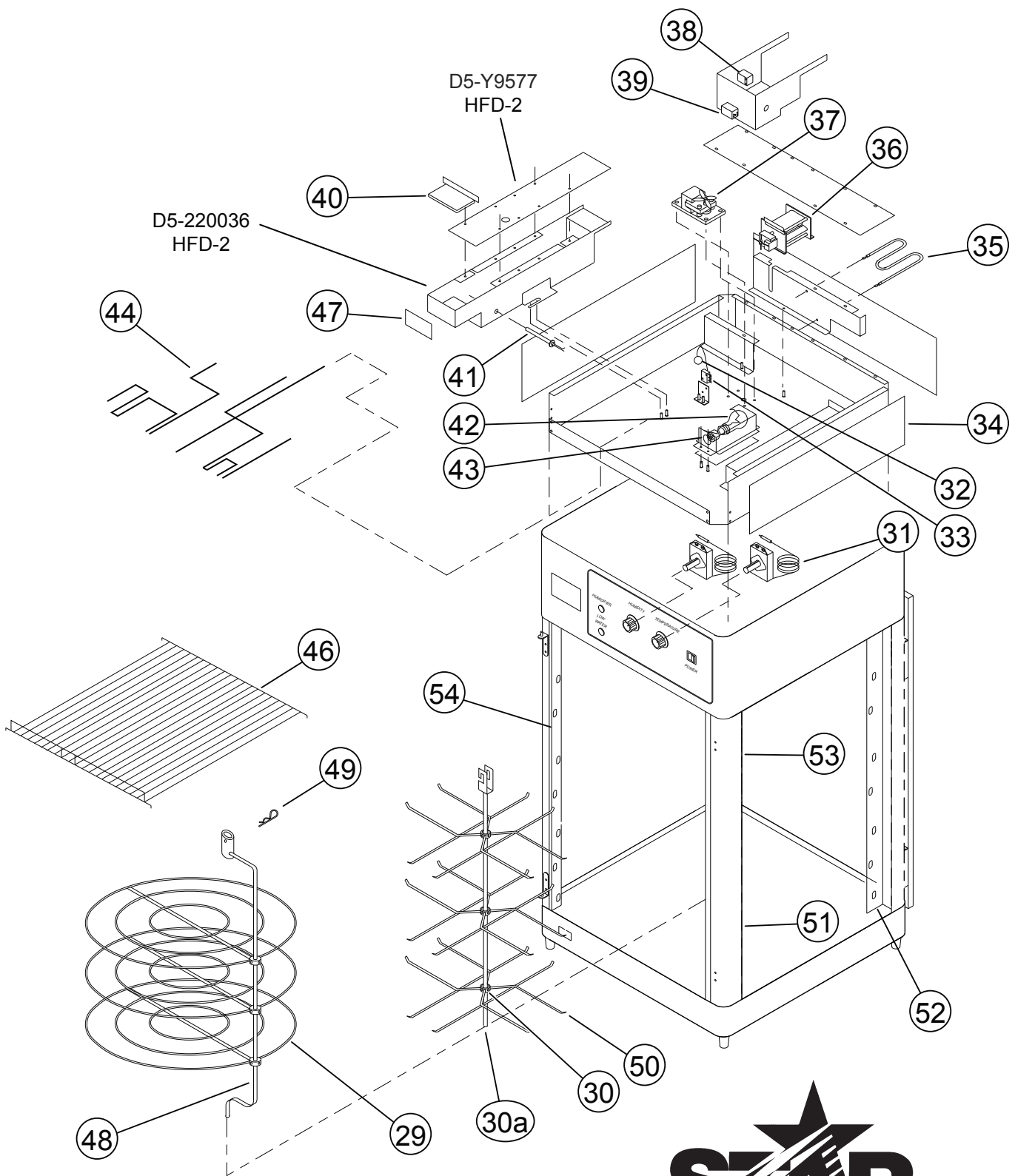


MODEL HFD-2,-3 120V

STAR MANUFACTURING INTERNATIONAL, INC.

SK1374 REV. A 1/14/97



2M-Y9758, Humidified Cabinet HFD2, HFD3



MODEL HFD-2,-3 120V REV. A

STAR MANUFACTURING INTERNATIONAL, INC.

SK1375 12-9-96

PARTS LIST

EFFECTIVE 09/09/13

Model: HFD-2 HUMIDIFIED CABINET				
Fig No	Part No	Qty	Description	Application
1	C3-G8021	1	CORD ASSEMBLY (120V)	
	C3-39221		CORD ASSEMBLY (240V)	
2	2K-Y2968	1	BUSHING - STRAIN RELIEF	
3	2A-6904	4	FOOT	
	2P-Y3404		PLUG-FOOT (not shown)	
	2C-1557		SCREW-FOOT (not shown)	
4	D5-Y9623	6/4	GLASS CHANNEL (16-7/8")	HFD-2-P HFD-2-CR/HFD-2PTP HFD-2PTCR
5	2Q-Y9567	2/3	GLASS - SIDE	HFD-2-P HFD-2-CR/HFD-2PTP HFD-2PTCR
6	D5-Y9624	6/4	GLASS CHANNEL (23-3/8")	HFD-2-P HFD-2-CR/HFD-2PTP HFD-2PTCR
7	2K-Y1139	1	BUSHING	
9		1	PROBE - THERMOMETER/TRANSFORMER	(see KEY # 38)
10	D5-220084	2/4	DOOR HINGE ASSY	HFD-2-P HFD-2-CR/HFD-2PTP HFD-2PTCR
	2C-1654	4/8	SCREW-DOOR HINGE (not shown)	HFD-2-P HFD-2-CR/HFD-2PTP HFD-2PTCR
11	D5-Z0499	1/2	BRACKET - DOOR HINGE	HFD-2-P HFD-2-CR/HFD-2PTP HFD-2PTCR
12	D5-Z0500	1/2	BRACKET - DOOR HINGE	HFD-2-P HFD-2-CR/HFD-2PTP HFD-2PTCR
13	2M-Y9568	1/2	MAGNETIC GASKET	HFD-2-P HFD-2-CR/HFD-2PTP HFD-2PTCR
14	D5-Y9590	1	TOP COVER	
15	2M-Z0273	1	LABEL-OPERATOR PANEL	
16	2S-Y9114	1	INDICATOR - GREEN	(120V)
	2S-Z0626	1		(240V)
17	2J-Y6689	1	INDICATOR - RED	(120V)
	2J-Y6690	1		(240V)
18	2R-Y9116	2	KNOB - CONTROL	
19	PS-PD2046	1	SWITCH	
20	2E-Y9700	1/2	SWITCH - DOOR INTERRUPT (120/240V)	HFD-2-P HFD-2-CR/HFD-2PTP HFD-2PTCR
20a	D5-Z0295	1/2	DOOR TAB	HFD-2-P HFD-2-CR/HFD-2PTP HFD-2PTCR
21-28	D5-220035	1/2	DOOR ASSEMBLY	HFD-2-P HFD-2-CR/HFD-2PTP HFD-2PTCR
21	D5-Y9624	2	(PER DOOR) GLASS CHANNEL	
22	2I-Y9573	1	(PER DOOR) DOOR LEG RIGHT VERTICAL	
23	2I-Y9125	4	(PER DOOR) DOOR INSERT	
24	2R-Y9124	1	(PER DOOR) HANDLE	
	2C-Y9221	2	(PER DOOR) SCREW-HANDLE	(not shown)
25	D5-Y9623	2	(PER DOOR) GLASS CHANNEL	
26	2Q-Y9569	1	(PER DOOR) DOOR GLASS	
27	2I-Y9572	1	(PER DOOR) DOOR LEG LEFT VERTICAL	
28	2I-Y9574	2	(PER DOOR) DOOR LEG HORIZONTAL	
29	2B-Z4280	3	PIZZA SHELF	HFD-2-CR HFD-2PTCR
	2C-Z0546	6	SCREW-PIZZA SHELF (not shown)	
	2C-Z4175	1	ALLEN WRENCH (9/64) (not shown)	
30	D5-220042	1	PRETZEL RACK ASSEMBLY w/HOLDERS	HFD-2-P HFD-2PTP
30a	D5-220055	1	SHAFT-PREZZEL RACK (21-27/32")	
31	2T-Y9113	2	THERMOSTAT	(120/240V)

2M-Y9758, Humidified Cabinet HFD2, HFD3



Star Manufacturing International, Inc.

PARTS LIST

EFFECTIVE 09/09/13

Model: HFD-2 HUMIDIFIED CABINET				
Fig No	Part No	Qty	Description	Application
32	D5-Y9866	1	FLOAT	
	2I-Y9130	2	GROMMET/BUSHING-FLOAT (not shown)	
	D5-Y9579	1	FLOAT WIRE (not shown)	
33	2E-Y9151	1	MICROSWITCH	(120/240V)
34	D5-Y9595	3	INSULATION	
35	2N-Y9145	1	AIR HEATER	(120V)
	2N-Z0628			(240V)
36	2U-Y9144	1	FAN - BLOWER	(120V)
	2U-Z0627			(240V)
37	2U-Y6953	1	MOTOR - ROTISSERIE	(120V)
	2U-Y6954			(240V)
38	2J-Y9112	1	THERMOMETER/PROBE/TRANSFORMER (120V)	(Degrees in Farenheit)
	2J-Z0631		THERMOMETER/PROBE/TRANSFORMER (240V)	(Degrees in Celcius)
39	2E-Y9148	1	RELAY	120V
	2E-Z0625			240V
40	D5-Y9578	1	LID RESERVOIR	
	D5-220036	1	RESERVOIR ASSEMBLY COMPLETE	
	D5-220037	1	RESERVOIR ONLY (tank)	
41	2N-Y9181	1	WATER HEATER (120V)	
	2N-Z0629	1	WATER HEATER (240V)	
42	2S-Y9118	1	BULB - 100W (120V)	
	2S-Z0630	1	BULB - 100W (240V)	
43	2E-Y9184	1	SOCKET	
44	2E-Y9629	1	WIRE HARNESS	
45	2M-Z0051	1	DOOR DECAL	
46	2B-Z0289	3	SHELF	HFD-2 HFD-2PT
47	2M-Z0291	1	LABEL WATER FILL	
48	2B-220090	1	PIZZA SHAFT	
49	2C-Z0812	1	HAIRPIN	
50	2B-Z7205	3	PRETZEL HOLDER ASSEMBLY	HFD-2-P HFD-2PTP
	2C-Z0546	6	SCREW-PRETZEL HOLDER (not shown)	
	2C-Z4175	1	ALLEN WRENCH (9/64) (not shown)	
51	D5-Z0284	1/2	RACK ANGLE RIGHT	HFD-2 HFD-2PT
52	D5-Z0307	1	RACK ANGLE LEFT	HFD-2
53	D5-Z0308	1	RACK ANGLE RIGHT	HFD-2
54	D5-Z0283	1/2	RACK ANGLE LEFT	HFD-2 HFD-2PT
55	D5-Y9596	1	TOP WRAP - OPERATOR	
56	D5-Y9591	1	TOP WRAP - CUSTOMER	
57	D5-Y9584	1	BOTTOM WRAP - OPERATOR	
58	C3-Y7955	1	BOTTOM WRAP - CUSTOMER	
59	D5-220051	1	BOTTOM INNER PAN	
60	D5-220038	1	BOTTOM PANEL	
NI	2M-Y9859	1	TOP STRIPE	(not shown)
NI	2M-Y9860	1	BOTTOM STRIPE	(not shown)

2M-Y9758, Humidified Cabinet HFD2, HFD3