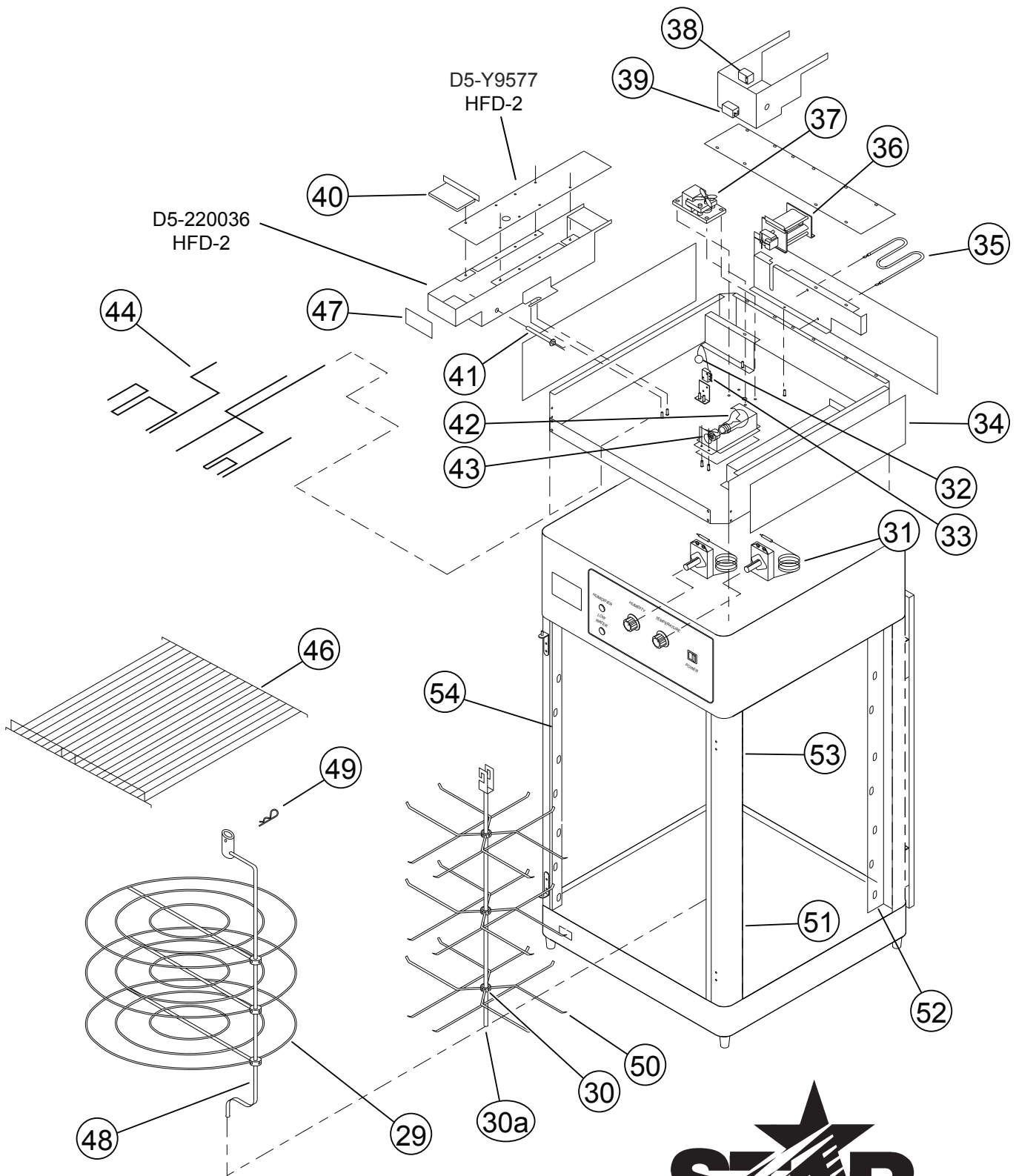


MODEL HFD-2,-3 120V

STAR MANUFACTURING INTERNATIONAL, INC.

SK1374 REV. A 1/14/97



2M-Y9758, Humidified Cabinet HFD2, HFD3



MODEL HFD-2,-3 120V REV. A

STAR MANUFACTURING INTERNATIONAL, INC.

SK1375 12-9-96

PARTS LIST

EFFECTIVE 09/09/13

Model: HFD-3 HUMIDIFIED CABINET				
Fig No	Part No	Qty	Description	Application
1	C3-G8021	1	CORD ASSEMBLY	
2	2K-Y2968	1	BUSHING - STRAIN RELIEF	
3	2A-6904	4	FOOT	
4	2I-Y7838	6,4	GLASS CHANNEL	HFD-3-P, HFD-3-CR/HFD-3PTP, HFD-3PTCR
5	2Q-Y9110	2,3	GLASS - SIDE	HFD-3-P, HFD-3-CR/HFD-3PTP, HFD-3PTCR
6	2I-Y7840	6,4	GLASS CHANNEL	HFD-3-P, HFD-3-CR/HFD-3PTP, HFD-3PTCR
7	2K-Y1139	1	BUSHING - HEYCO	
8	2I-Y7839	2	GLASS CHANNEL-TOP & BOTTOM	HFD-3-P, HFD-3-CR
9	2J-Y9112	1	THERMOMETER/PROBE/TRANSFORMER	
10	D5-220084	2/4	DOOR HINGE ASSY.	HFD-3-P, HFD-3-CR/HFD-3PTP, HFD-3PTCR
11	D5-Z0449	1,2	BRACKET - DOOR HINGE	HFD-3-P, HFD-3-CR/HFD-3PTP, HFD-3PTCR
12	D5-Z0500	1,2	BRACKET - DOOR HINGE	HFD-3-P, HFD-3-CR/HFD-3PTP, HFD-3PTCR
13	2M-Y9122	1,2	MAGNETIC GASKET	HFD-3-P, HFD-3-CR/HFD-3PTP, HFD-3PTCR
14	D5-Y9152	1	TOP COVER	
15	2M-Z0274	1	DECAL - OPERATOR	
16	2S-Y9114	1	INDICATOR - GREEN	
17	2J-Y6689	1	INDICATOR - RED	
18	2R-Y9116	2	KNOB - CONTROL	
19	PS-PD2046	1	SWITCH	
20	2E-Y9700	1,2	SWITCH - DOOR INTERRUPT	HFD-3-P, HFD-3-CR/HFD-3PTP, HFD-3PTCR
20a	D5-Z2095	1	DOOR TAB	
21	D5-Y9621	2	(PER DOOR) GLASS CHANNEL	
22	2I-Y9119	1	(PER DOOR) DOOR LEG RIGHT VERTICAL	
23	2I-Y9125	4	(PER DOOR) DOOR INSERT	
24	2R-Y9124	1	(PER DOOR) HANDLE	
25	D5-Y9622	2	(PER DOOR) GLASS CHANNEL	
26	2Q-Y9121	1	(PER DOOR) DOOR GLASS	
27	2I-Y9199	1	(PER DOOR) DOOR LEG LEFT VERTICAL	
28	2I-Y9120	2	(PER DOOR) DOOR LEG HORIZONTAL	
29	2B-Z4280	4	PIZZA SHELF	HFD-3-CR, HFD-3PTCR
30	D5-220056	1	PRETZEL RACK ASSEMBLY	HFD-3-P, HFD-3PTP
31	2T-Y9113	2	THERMOSTAT	
32	D5-Y9866	1	FLOAT	
33	2E-Y9151	1	MICROSWITCH	
34	D5-Y9861	3	INSULATION	
35	2N-Y9145	1	AIR HEATER	
36	2U-Y9144	1	FAN	
37	2U-Y6953	1	MOTOR - ROTISSERIE	
38	2J-Y9112	1	THERMOMETER/PROBE/TRANSFORMER	
39	2E-Y9148	1	RELAY	
40	D5-Y9132	1	LID RESERVOIR	



Star Manufacturing International, Inc.

PARTS LIST

EFFECTIVE 09/09/13

Model: HFD-3 HUMIDIFIED CABINET				
Fig No	Part No	Qty	Description	Application
41	2N-Y9181	1	WATER HEATER	
42	2S-Y9118	1	BULB - 100W	
43	2E-Y9184	1	SOCKET	
44	2E-Y9502	1	WIRE HARNESS	
45	2M-Y9858	1	DECAL-GLASS	
46	2B-Z0290	4	SHELF (HFD-3,-3PT)	
47	2M-Z0291	1	LABEL WATER FILL	
48	D5-220091	1	PIZZA SHAFT	
49	2C-Z0812	1	HAIRPIN	
50	2B-Z7206	4	HOLDER ASSEMBLY	
51	D5-Z0286	1,2	RACK ANGLE RIGHT	HFD-3, HFD-3PT
52	D5-Z0309	1	RACK ANGLE LEFT	HFD-3
53	D5-Z0310	1	RACK ANGLE RIGHT	HFD-3
54	D5-Z0285	1,2	RACK ANGLE LEFT	HFD3, HFD-3PT