

THIS DRAWING CONTAINS INFORMATION CONFIDENTIAL TO STAR MFG. INT'L. INC.
 NO REPRODUCTION OR DISCLOSURE OF ITS CONTENTS IS PERMITTED.

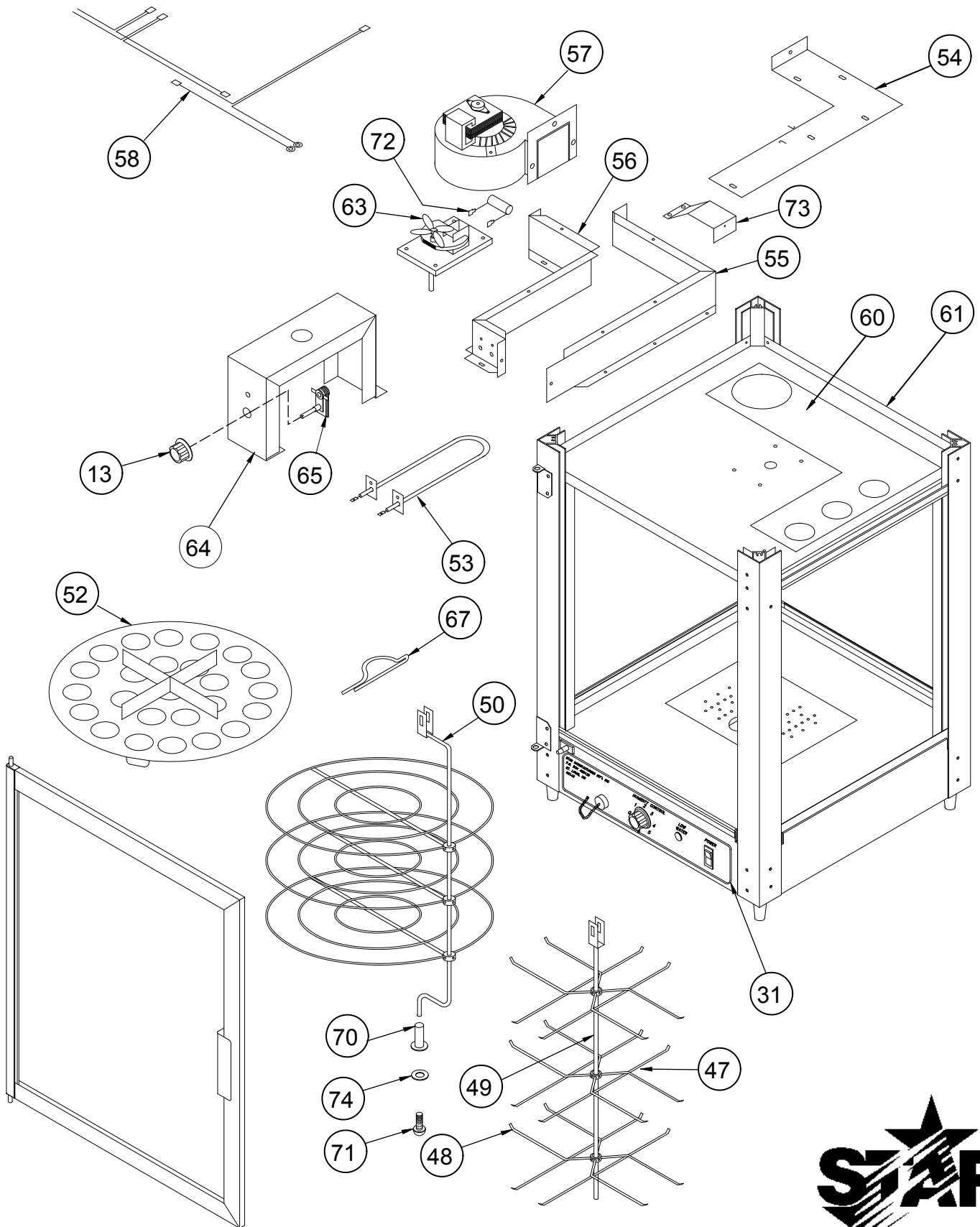
MODEL: HFD-1CRPL 120V

STAR MANUFACTURING INTERNATIONAL INC.

SK1825

Rev -

11/14/2000



THIS DRAWING CONTAINS INFORMATION CONFIDENTIAL TO STAR MFG. INT'L. INC.
 NO REPRODUCTION OR DISCLOSURE OF ITS CONTENTS IS PERMITTED.

MODEL: HFD-1CRPL 120V

STAR MANUFACTURING INTERNATIONAL INC.

SK1826

Rev -

11/14/2000



PARTS LIST

August 14, 2013, Rev F

MODELS HFD-1CRPL120 Humidity Cabinet

Key Number	Part Number	Number Per Unit	Description
1	C3-G8021	1	CORD ASSEMBLY 120V
2	2K-Y2968	1	BUSHING - STRAIN RELIEF
3	2A-Z1485	4	FOOT 1" ADJUSTABLE
4	D5-Z0345	4	GLASS CHANNEL VERTICAL
5	D5-Z0346	4	GLASS CHANNEL HORIZONTAL
6	2Q-Z0581	2	GLASS-SIDE
7	2K-1139	3	BUSHING-HEYCO
8	D5-Z3951	1	BOTTOM
9	2E-Y9148	1	RELAY 120V
10	2E-Z4053	1	WIRE HARNESS-BOTTOM
11	2N-Z3435	1	ELEMENT ASSEMBLY 120V
12	2T-Z4250	1	THERMOSTAT-WATER
13	2R-Y8261	2	KNOB
14	D5-220075	1	RESERVOIR ASSEMBLY
15	D5-220093	1	FLOAT SWITCH ASSEMBLY
16	D5-Z19198	1	TRAY
17	D5-220102	1	PAN ASSEMBLY
18	D5-Z3936	1	CORNER POST-RIGHT DOOR
19	D5-220103	2	DOOR FRAME ASSEMBLY
20	2I-Z0877	4	GLASS CHANNEL-HORIZONTAL DOOR
21	2I-Z0876	2	GLASS CHANNEL-VERTICAL DOOR
22	2Q-Z0759	2	GLASS-DOOR
23	2I-Z0758	2	HINGE-DOOR
24	2A-Y8068	4	PIN-DOWEL
25	A3-35219	1	CAP AND CHAIN
26	2I-9772	1	GASKET
27	2E-Y9700	2	SWITCH-INTERRUPT
28	2J-Y6689	1	PILOT LIGHT, 120V
29	PS-220117	1	SWITCH-SERVICE KIT (manufactured before 4/1/2010)
	2E-Z0091	1	SWITCH (manufactured after 4/1/2010)
30	2I-Z3934	2	DOOR-GASKET
31	2M-Z0880	1	LABEL-BOTTOM
32	D5-Z4171	2	HINGE-BRACKET (TOP)
33	D5-Z4172	2	HINGE-BRACKET (BOTTOM)
34	D5-Z0320	1	PANEL-CONTROL
35	D5-Z0319	2	ANGLE-BOTTOM
36	D5-Z3935	1	CORNER POST-LEFT DOOR
37	D5-Z3938	1	CORNER-POST-RIGHT
38	D5-Z3937	1	CORNER-POST-LEFT
39	2T-Z0613	1	THERMOMETER
40	D5-Z4006	2	FILLER RIGHT
41	D5-Z4005	2	FILLER LEFT
42	D5-Z3950	1	PANEL REAR
43	D5-Z3945	2	LIGHT HOLDER
44	2I-Z3939	2	DIFFUSER
45	D5-Z3952	1	TOP COVER
46	2M-Z0879	1	TOP LABEL
47	D5-220077	1	PRETZEL RACK ASSEMBLY (OPTIONAL)
48	2B-Z6899	3	HOLDER ASSEMBLY (OPTIONAL)
49	D5-220079	1	PRETZEL SHELF (OPTIONAL)
50	D5-220111	1	SHELF-PIZZA RACK ASSEMBLY
51	D5-Z4165	1	BRACKET-BALLAST
52	D5-220105	4	PIZZA-HOLDER ASSEMBLY

**IMPORTANT: WHEN ORDERING, SPECIFY VOLTAGE OR TYPE GAS DESIRED
INCLUDE MODEL AND SERIAL NUMBER**

PAGE 1
OF 2

Some items are included for illustrative purposes only and in certain instances may not be available.



Star Manufacturing International, Inc.

PARTS LIST

August 14, 2013, Rev F

MODELS HFD-1CRPL120 Humidity Cabinet

Key Number	Part Number	Number Per Unit	Description
53	2N-Z0337	1	ELEMENT-AIR 120V
54	D5-Z4311	1	COVER-DUCT
55	D5-Z4308	1	BACK-DUCT
56	D5-Z0591	1	FRONT-DUCT
57	2U-Z5583	1	BLOWER ASSEMBLY
58	2E-Z4052	1	HARNESS-TOP
59	2S-Z3944	4	LAMP HOLDER
60	2I-Z3942	1	GASKET
61	D5-220101	1	TOP-LINER
62	2S-Z3943	2	FLUORESCENT LAMP F8T5, 12" LONG, 120V, 8W
63	D5-Z17319	1	MOTOR-ROTISSERIE 120V, Fan Not Included
NI	2U-Z9811	1	FAN, MOTOR
64	D5-Z4170	1	BRACKET-THERMOSTAT
65	2T-Z0449	1	THERMOSTAT-AIR
66	D5-Z4168	1	DEFLECTOR
67	2A-Y6694	1	HAIR PIN, 0.08X1 9/16
68	2I-Z1013	1	GASKET-PAN
69	2E-Z3948	1	BALLAST
70	2C-Z2829	1	NUT WELD (PIZZA-SHELF HOLDER)
71	2C-Z4251	1	SCREW #8-32X3/8, RHP ST.ST.
72	D5-220106	1	QUENCHARC ASSEMBLY
73	D5-Z4307	1	AIR-DEFLECTOR
74	2C-Z4320	1	WASHER #8 ST.ST.
75	D5-Z4322	1	INSULATION HOLDER
76	D5-Z4323	1	INSULATION
77	B9-04-WB-0140	4	SPACER

**IMPORTANT: WHEN ORDERING, SPECIFY VOLTAGE OR TYPE GAS DESIRED
INCLUDE MODEL AND SERIAL NUMBER**

PAGE 2
OF 2

Some items are included for illustrative purposes only and in certain instances may not be available.



Star Manufacturing International, Inc.