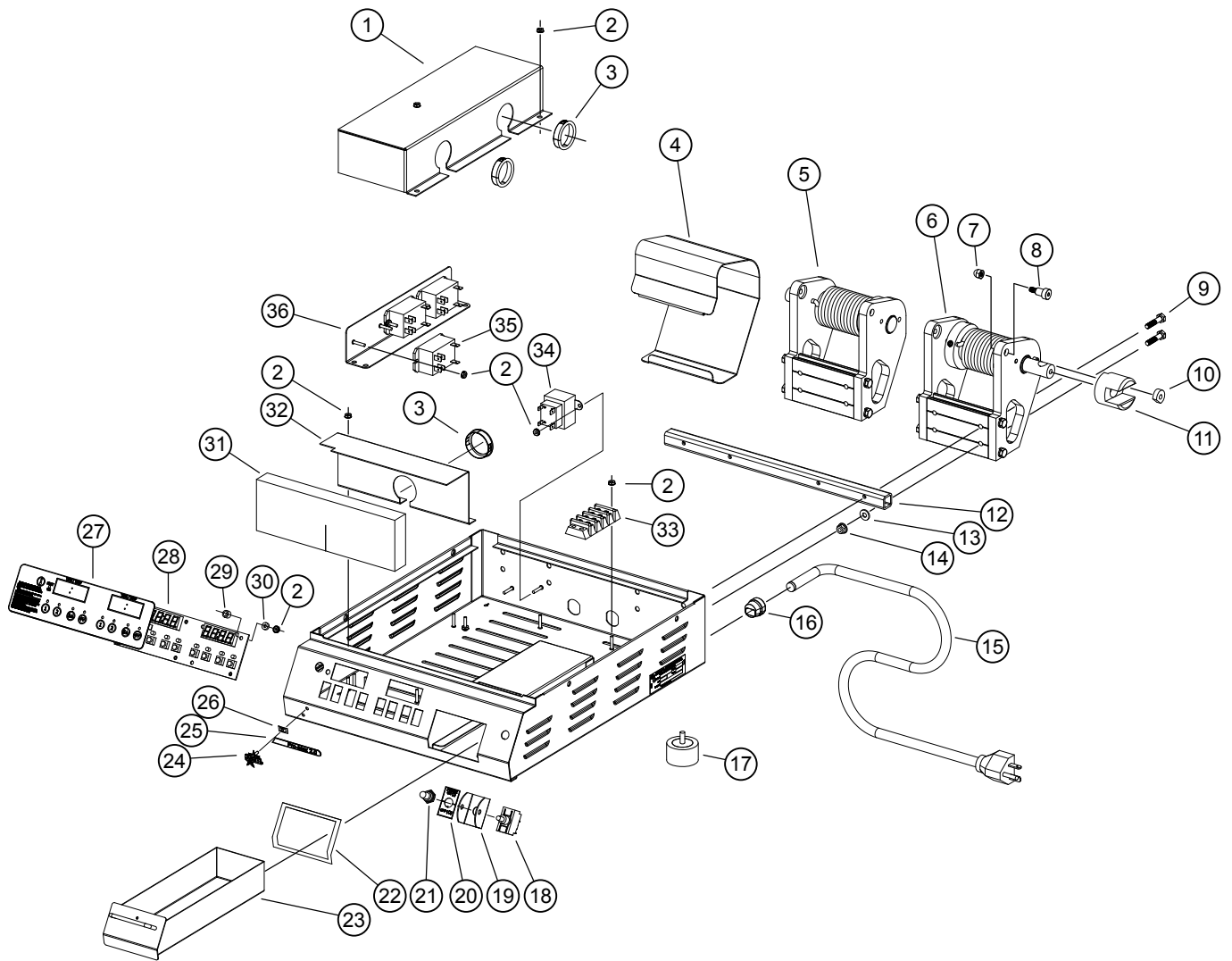


PST14D; Star-Max 2.0, Split Lid Sandwich Grill



Model: PST14D, PGT14D,
Split Lid Base Assy



SK2839 Rev. A 1/22/15

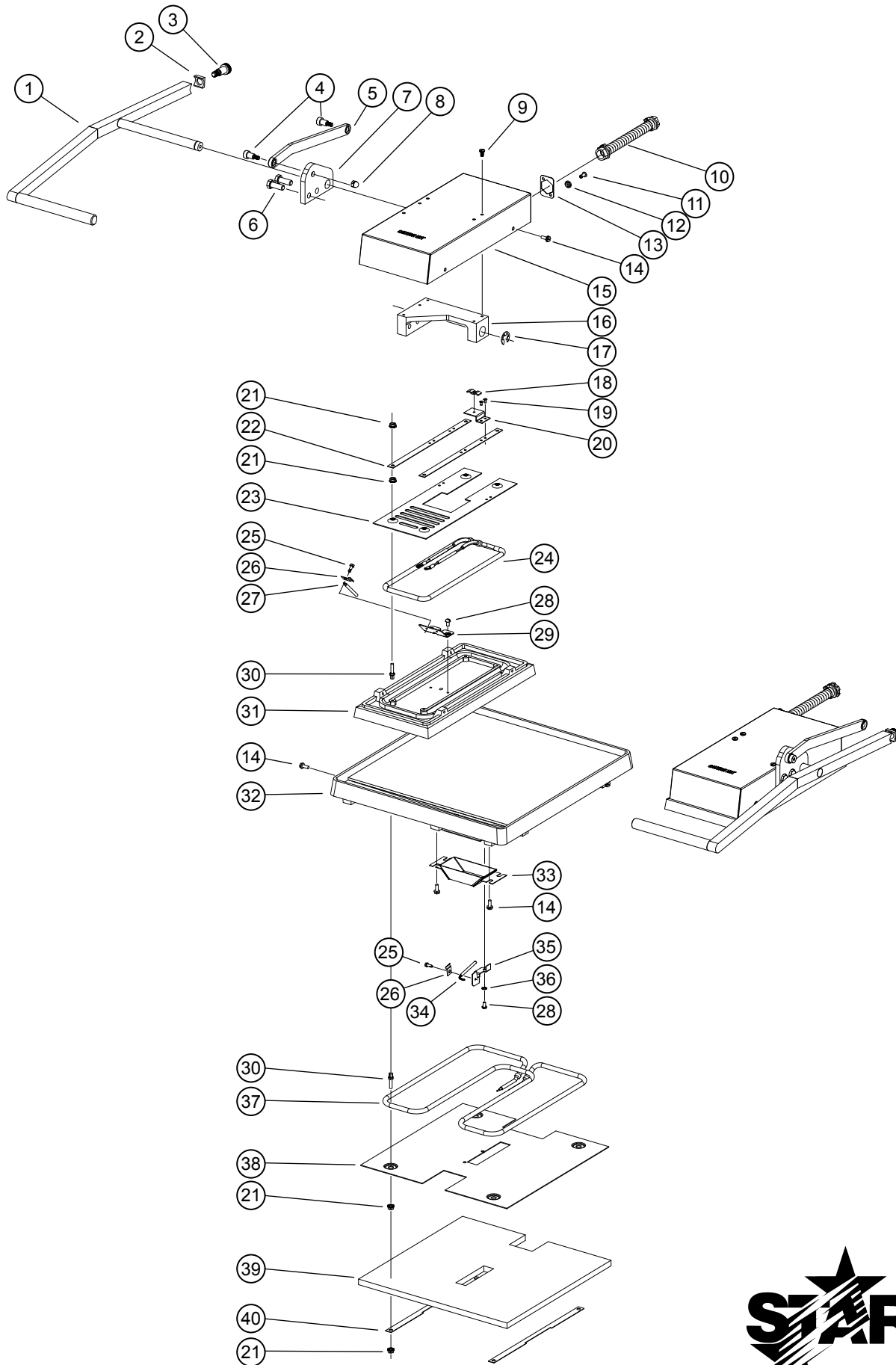
PARTS LIST

May 12, 2015, Rev.-

Model: PST14D, PGT14D, Base Assembly				
Fig No.	Part Number	Qty	Description	Application
1	D9-Z19510	1	BAFFLE, RELAY	
2	2C-Z2594	11	NUT 6-32 HEX W STL NP	
3	2K-Z19330	3	BUSHING HEYCO #2883	
4	D9-Z18735	2	SPRING COVER, ONE PIECE	
5	D9-GR0679	1	AY.,RT HNGE,Z18290 SPRNG	
6	D9-GR0678	1	AY.,LFT HNGE,Z18291 SPRNG	
7	2C-Z18752	4	LOCKNUT, ACORN,1/4-20,SS	
8	2C-Z18751	4	SCR,SHLDR,SS,3/8 DIA.X.50	
9	2C-41180	16	BOLT HEX 1/4-20X1 1/4	
10	2V-Z19125	2	STOP WASHER	
11	2V-Z19345	2	COLLAR AND STOP SPLIT TOP	
12	2V-Z19126	1	REAR STIFFENER, 14SPT	
13	2C-1811	4	WASHER 1/4 BURR STL NP	PST14D
		8		PGT14D
14	2C-20301-20	4	NUT LOCK STOVER 1/4-20	PST14D
		8		PGT14D
15	2E-Z4119	1	POWER CORD, 12/3, 5-20P	120V
	2E-Z19339		POWER CORD, 5-30P	120C
	2E-Y9251		CORD SET CONT EUR 16AMP	230V
	D9-GR0194		POWER CORD ASSY	240V
	2E-Z19339		POWER CORD, 12/3, 5-30P	PGT14DTH-120
16	2K-Y6764	1	BUSHING - STRAIN RELIEF	
17	2R-Z18201	4	FOOT 1.69X1 SIL 1/4 20	
18	2E-Z3808	1	SWITCH(EATON)-30A@120V,	
19	Z1-70-07-0343	1	SWITCH GUARD	
20	2M-Z18461	1	LABEL, POWER, ON AND OFF	
21	2I-05-07-0013	1	BOOT SWITCH	
22	2M-Z18443	1	OVERLAY,BEZEL,GREASE CUP	
23	D9-GR0688	1	WELD AY.,GRS CUP,ELECTRNC	
24	2M-Z15305	1	STAR LOGO, SMALL	
25	2M-Z18452	1	LABEL, PRO-MAX	
26	2C-8477	2	CLIP .125 PO STL PHOS	
27	2M-Z19482	1	OVERLAY, SPLIT TOP, TDL	
28	2J-Z19483	1	CONTROL, DUAL	
	D9-GR0742		CONTROL PROGRAMMING	PGT14DTH-120
29	2K-Z1971	6	SPACER .257X.75X.25 NYLON	
30	2K-08-07-0004	6	SPACER ROUND NYLON	
31	D9-Z19332	1	INSULATION,TMR & ELE CTRL	
32	D9-Z19484	1	BAFFLE,14" EL SPLIT TOP	
33	2E-Z2894	1	TERMINAL BLOCK (304)	
34	2E-05-07-0351	1	TRANSFORMER 115/10V 6VA	120V, 120C
	2E-05-07-0350		TRANSFORMER 230V/10V 6VA	230V, 240V
35	2E-Z3335	3	RELAY DBL POLE-SNGL THROW	
36	D9-GR0677	1	RELAY WELD STUD ASY	
NI	2E-Y9253	1	INLET IEC 320 16 AMP	230V

PST14D; Star-Max 2.0; Split Lid Sandwich Grill

PST14D; Star-Max 2.0, Split Lid Sandwich Grill



Model: PST14D, PGT14D, Split Lid Platen Assy



SK2840 Rev. A 1/22/15

PARTS LIST

May 12, 2015, Rev.-

Model: PST14D, PGT14D, Platen Assembly				
Fig No.	Part Number	Qty	Description	Application
1	2V-Z19122	1	ARM, R/H, SPLIT TOP	
	2V-Z19133		L/H ARM ASSY, 14SPT	
2	2V-Z19124	1	REAR ARM WASHER, SPLT TOP	
3	2C-Z19489	1	SHOULDER BOLT, SOCKET	
4	2C-Z18751	4	SCR,SHLDR,SS,3/8 DIA.X.50	
5	D9-GR0650	1	LINK AY., LEFT	
6	2C-37498	4	BOLT HEX 3/8-16 X 1 SS	
7	2V-Z19346	1	PLATE,LIFTING,LEFT SIDE	
8	2C-Z18752	4	LOCKNUT, ACORN,1/4-20,SS	
9	2C-Z19490	1	SCREW, 10-32 X 3/8 PH	
10	2E-Z2898	1	CONDUIT ASSY. - PTFE	
11	2C-Z3917	2	RIVET, POP, .188 (AD66BS)	
12	2C-Z3780	2	RETAINER, CONDUIT	
13	2A-Z3827	1	PLATE,STAMPING - CONDUIT	
14	2C-Z5883	14	10-24 X 1/2 FZA SCREW	
15	D9-Z19485	1	HOUSING, TOP,L/H SPLT TOP	
	D9-Z19491		HOUSING, TOP,R/H SPLT TOP	
16	2V-Z19131	1	BEARING BLOCK RIGHT ASSY	
	2V-Z19132		BEARING BLOCK LEFT ASSY	
17	2C-Z19488	1	E-CLIP, INTERNAL	
18	B9-04-WB-0046	1	CLAMP WIRE SUPPORT	
19	2C-Y1451	2	RIVET 1/8 x .337 MORISON	
20	D9-Z13012	1	WIRE MOUNT	
21	2C-Z2893	24	NUT 10-24 HEX STL ZP	
22	D9-Z13013	4	BRACKET, INSULATION HOLD DOWN	
23	D9-Z13011	2	PLATE-TOP ELEMENT RET.	
24	PS-Z9325	2	ELEMENT HEATING TOP 500W	120V, 120C
	PS-Z9326		ELEMENT HEATING TOP 500W	230V, 240V
	2N-Z16614		ELEMENT, 600W, 120V, TOP	PGT14DTH-120
25	2C-8833	4	SCREW 8-18X1/2 HEX STL NP TEK	
26	2C-Z3350	3	HALF CLAMP .188 D STL ZP	
27	2E-Z3278	2	RTD PROBE - 60" LONG WIRE	
28	2C-1512	2	SCREW 10-24X3/8 RHP STL	
29	D9-Z3903	2	BRACKET, PROBE MOUNT	
30	2C-08-07-0285	12	SCREW 10-24X3/4X3/8 TYPE	
31	2F-Z3237	2	CASTING - TOP	PST14D
	2F-Z5615		CASTING - TOP-GROOVED	PGT14D
32	2F-Z18137	1	CASTING,BTTM,SMOOTH,AL,14	PST14D
	2F-Z18138		CASTING,BTTM,GROOVE,AL,14	PGT14D

PST14D; Star-Max 2.0, Split Lid Sandwich Grill

PARTS LIST

May 12, 2015, Rev.-

Model: PST14D, PGT14D, Platen Assemblby				
Fig No.	Part Number	Qty	Description	Application
33	D9-GR0648	1	ASSY, GREASE CHUTE	
34	2E-Z1470	1	SNSR-RTD,2K OHM,24"LDS	
35	D9-Z12027	1	PROBE BRACKET - BOTTOM	
36	2C-1827	2	WASHER #10 EXT STL NP	
37	2N-Z9324	1	HTNG ELMNT,BTM-1300W@120V	120V, 120C
	2N-Z9327		ELEMENT 1300WATT 240V-14B	230V, 240V
	2N-Z16613		ELEMENT,1650W,120V,BTM	PGT14DTH-120
38	D9-Z13338	1	ELEM & INSUL PLT BTM 14"	
39	D9-Z18392	1	INSULATION,14,PST & PGT	
40	D9-Z12885	2	INSULATION HOLD DOWN,	
NI	2V-Z20067	1	SCRAPPER, GROOVED, HARDWOOD	PGT14DTH-120