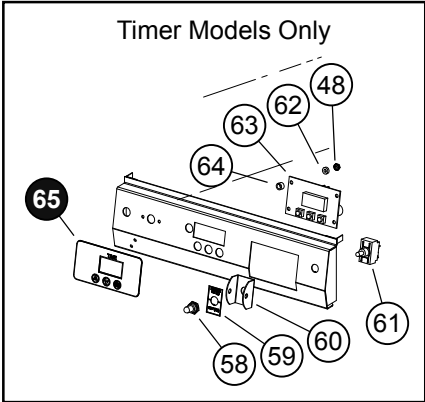
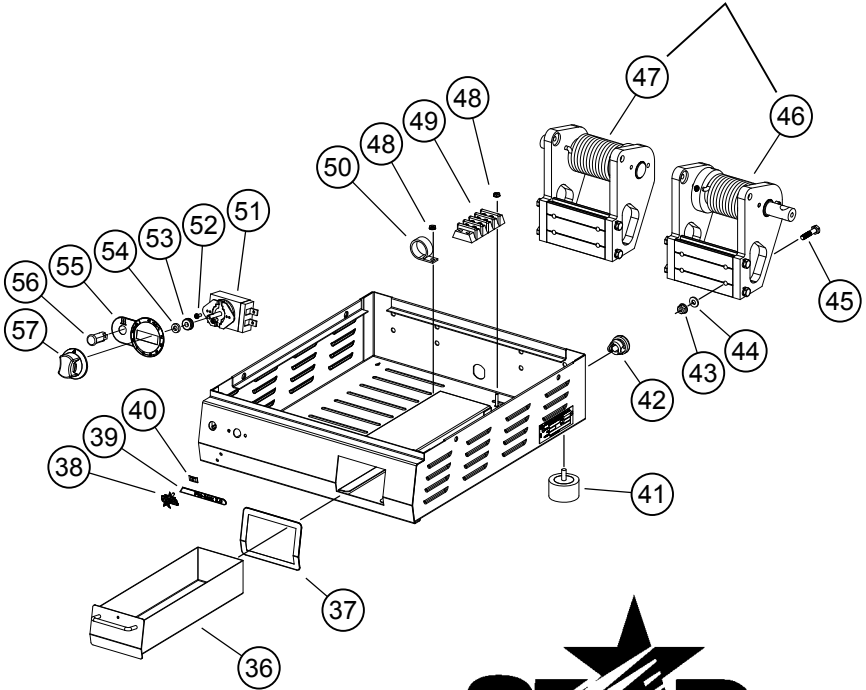
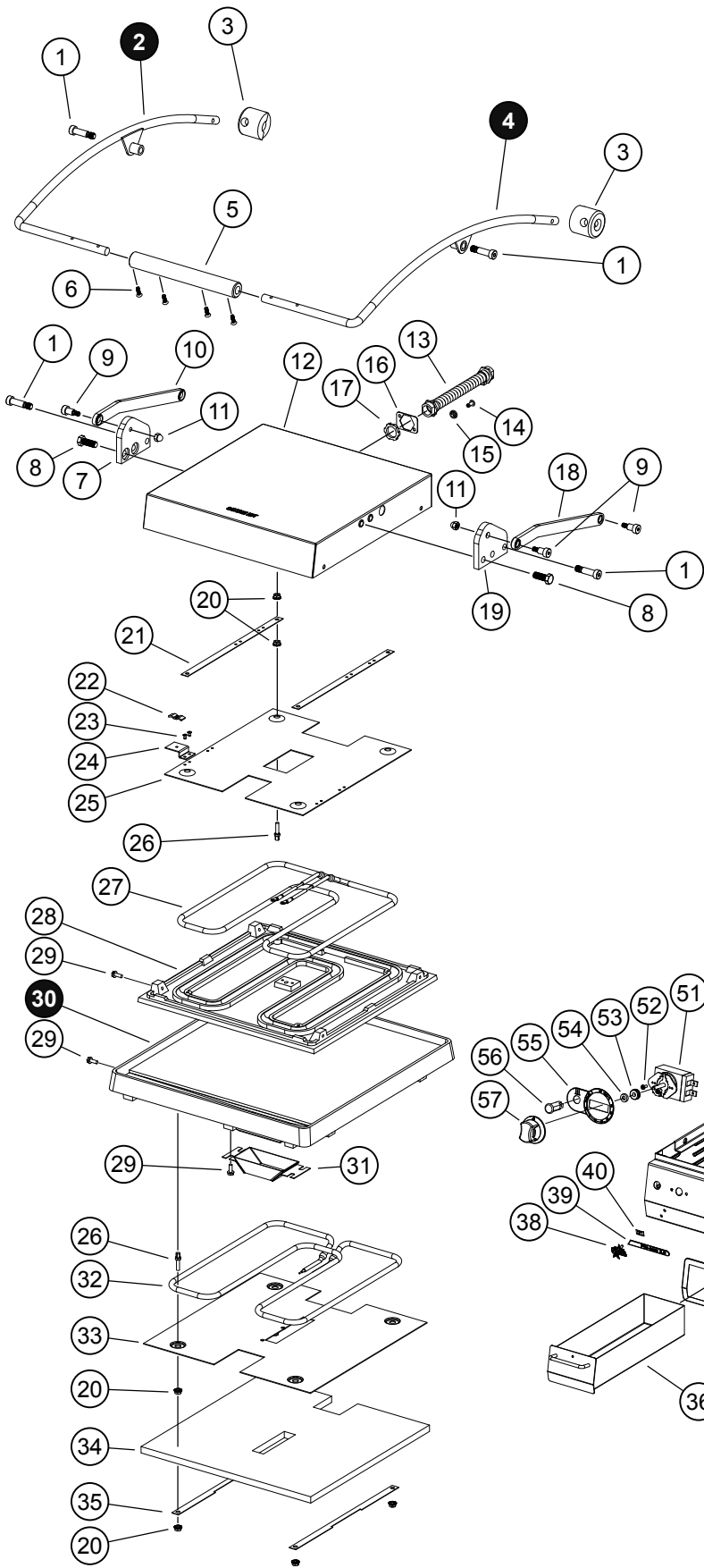


PS-GR0759
Arm Replacement Kit
2 4 65

30 Bottom Plattens
 units manufactured before 9/2015 had machined plattens, when replacing them with casted plattens, hing assy & spring covers need replacing as well.



See Detail A or AB



PARTS LIST

October 19, 2015, Rev. B

| Model: PST14, PGT14, Thermostatically Controlled Sandwich Grill | | | | |
|---|---------------|-----|-------------------------------|---------------------|
| Fig No. | Part Number | Qty | Description | Application |
| 1 | 2C-Z18300 | 2 | SCR,SHLDR,SS,3/8 DIA.X1.0 | |
| 2 | 2B-Z18628 | 1 | ARM ASSEMBLY, LEFT, 14" | |
| 3 | 2A-Z18301 | 2 | COLLAR AND STOP | |
| 4 | 2B-Z18627 | 1 | ARM ASSEMBLY, RIGHT, 14" | |
| 5 | 2V-Z18303 | 1 | HANDLE, 14 | |
| 6 | 2C-Z18749 | 4 | SCREW,SS,10-32X625 PH FHD | |
| 7 | 2V-Z18311 | 1 | PLATE,LIFTING,RIGHT SIDE | |
| 8 | 2C-37498 | 4 | BOLT HEX 3/8-16 X 1 SS | |
| 9 | 2C-Z18751 | 4 | SCR,SHLDR,SS,3/8 DIA.X.50 | |
| 10 | D9-GR0651 | 1 | LINK AY., RIGHT | |
| 11 | 2C-Z18752 | 4 | LOCKNUT, ACORN,1/4-20,SS | |
| 12 | D9-GR0662 | 1 | WELD AY.,TOP HOUSING, 14" | |
| 13 | 2E-Z2898 | 1 | CONDUIT ASSY. - PTFE | |
| 14 | 2C-Z3917 | 2 | RIVET, POP, .188 (AD66BS) | |
| 15 | 2C-Z3780 | 2 | RETAINER, CONDUIT | |
| 16 | 2A-Z3827 | 1 | PLATE,STAMPING - CONDUIT | |
| 17 | 2E-Z3768 | 1 | LOCKNUT, CONDUIT, 1/2 IN. | |
| 18 | D9-GR0650 | 1 | LINK AY., LEFT | |
| 19 | 2V-Z18468 | 1 | PLATE, LIFTING, LEFT SIDE | |
| 20 | 2C-Z2893 | 16 | NUT 10-24 HEX STL ZP | |
| 21 | D9-Z13099 | 2 | BRACKET, INSLUATION | |
| 22 | B9-04-WB-0046 | 1 | CLAMP WIRE SUPPORT | |
| 23 | 2C-Y1451 | 2 | RIVET 1/8 x .337 MORISON | |
| 24 | D9-Z13012 | 1 | WIRE MOUNT | |
| 25 | D9-Z2075 | 1 | TOP ELEMENT/INS. PLATE/14 | |
| 26 | 2C-08-07-0285 | 4 | SCREW 10-24X3/4X3/8 TYPE | |
| 26 | 2C-08-07-0285 | 4 | SCREW 10-24X3/4X3/8 TYPE | |
| 27 | PS-Z1980 | 1 | ELEMENT KIT, 800W/120 | 120V |
| | PS-Z2021 | | ELEMENT KIT, 800W/240V | 230V, 240V |
| | 2N-Z2391 | | ELEMENT KIT 14" TOP 1800W | IRON: 230V, 240V |
| 28 | PS-GR0350 | 1 | KIT 14" TOP CAST, SMOOTH-ALUM | PST14 |
| | PS-GR0352 | | KIT CASTING, SM.TOP,IRON-14 | PST14I |
| | PS-GR0351 | | KIT CASTING,GR.TOP,ALUM,-14 | PGT14 |
| | PS-GR0353 | | KIT CASTING,GR.TOP,IRON-14 | PST14IGT, PST14ITGT |
| 29 | 2C-Z5883 | 10 | 10-24 X 1/2 FZA SCREW | |

PST14, PGT14 Pro-Max 2.0 Sandwich Grills

PARTS LIST

October 19, 2015, Rev. B

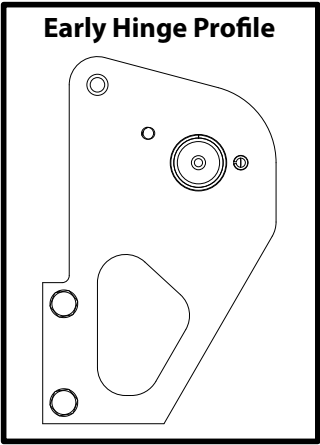
| Model: PST14, PGT14, Thermostatically Controlled Sandwich Grill | | | | |
|---|-----------------|-----|-------------------------------------|------------------|
| Fig No. | Part Number | Qty | Description | Application |
| 30 | 2F-Z18137 | 1 | CASTING,BTTM,SMOOTH,AL,14 | PST14 |
| | 2F-Z19350 - NLA | | BOT.CAST.SMOOTH 14 IRON, -MACHINED | PST14I |
| | 2F-Z18667 | | CASTING,BTTM,SMOOTH,IR,14"-CASTING | |
| | 2F-Z18138 | | CASTING,BTTM,GROOVE, AL,14 | PGT14 |
| | 2F-Z19382 - NLA | | BOT.CAST.GROOVED 14 IRON, -MACHINED | PGT14I |
| | 2F-Z18668 | | CASTING,BTTM,GROOVE,IR,14 -CASTING | |
| 31 | D9-GR0648 | 1 | ASSY, GREASE CHUTE | |
| 32 | 2N-Z1981 | 1 | ELEMENT,1000WATT 120V-14B | 120V |
| | 2N-Z2022 | | ELEMENT,1000WATT 240V-14B | 230V, 240V |
| | 2N-Z2392 | | ELEMENT,1800WATT 240V-14B | IRON: 230V, 240V |
| 33 | D9-Z13338 | 1 | ELEM & INSUL PLT BTM 14" | |
| 34 | D9-Z2888 | 1 | INSULATION - 14" | |
| 35 | D9-Z12885 | 2 | INSULATION HOLD DOWN, | |
| 36 | D9-GR0652 | 1 | WELD AY.,GREASE CUP,14 | |
| 37 | 2M-Z18443 | 1 | OVERLAY,BEZEL,GREASE CUP | |
| 38 | 2M-Z15305 | 1 | STAR LOGO, SMALL | |
| 39 | 2M-Z18452 | 1 | LABEL, PRO-MAX | |
| 40 | 2C-8477 | 2 | CLIP .125 PO STL PHOS | |
| 41 | 2R-Z18201 | 4 | FOOT 1.69X1 SIL 1/4 20 | |
| | 2A-Z12946 | | FOOT, BASE NON-SKID | IRON |
| 42 | 2K-Y2968 | 1 | BUSHING - HEYCO 7W-2 | 120V |
| | 2K-Y6764 | | BUSHING - STRAIN RELIEF | 120C |
| 43 | 2C-20301-20 | 8 | NUT LOCK STOVER 1/4-20 | |
| 44 | 2C-1811 | 8 | WASHER 1/4 BURR STL NP | |
| 45 | 2C-41180 | 8 | BOLT HEX 1/4-20X1 1/4 | |
| 46 | D9-GR0667 | 1 | AY.,RT HNGE,Z18288 SPRNG | |
| | D9-GR0727 | | AY.,RT HNGE,Z20196 SPRING | IRON |
| 47 | D9-GR0666 | 1 | AY.,LFT HNGE,Z18289 SPRNG | |
| | D9-GR0726 | | AY.,LFT HNGE,Z20197 SPRNG | IRON |
| 48 | 2C-Z2594 | 2 | NUT 6-32 HEX STL NP W/LCK | |
| 49 | 2E-Z2894 | 1 | TERMINAL BLOCK (304) | |
| 50 | 2C-Z19091 | 3 | 1.00 DIA. WIRE CLIP,NYLON | |
| 51 | 2T-6447 | 1 | THERMOSTAT 118V-236V | |
| 52 | 2C-1488 | 2 | SCREW 6-32X3/8 RHP STL NP | |
| 53 | 2I-Z3379 | 1 | T-STAT GROMMET | |
| 54 | 2I-Z3380 | 1 | THERMOSTAT SEAL WASHER | |
| 55 | 2M-Z18453 | 1 | LABEL, DIAL AND LIGHT | |

PST14, PGT14 Pro-Max 2.0 Sandwich Grills

PARTS LIST

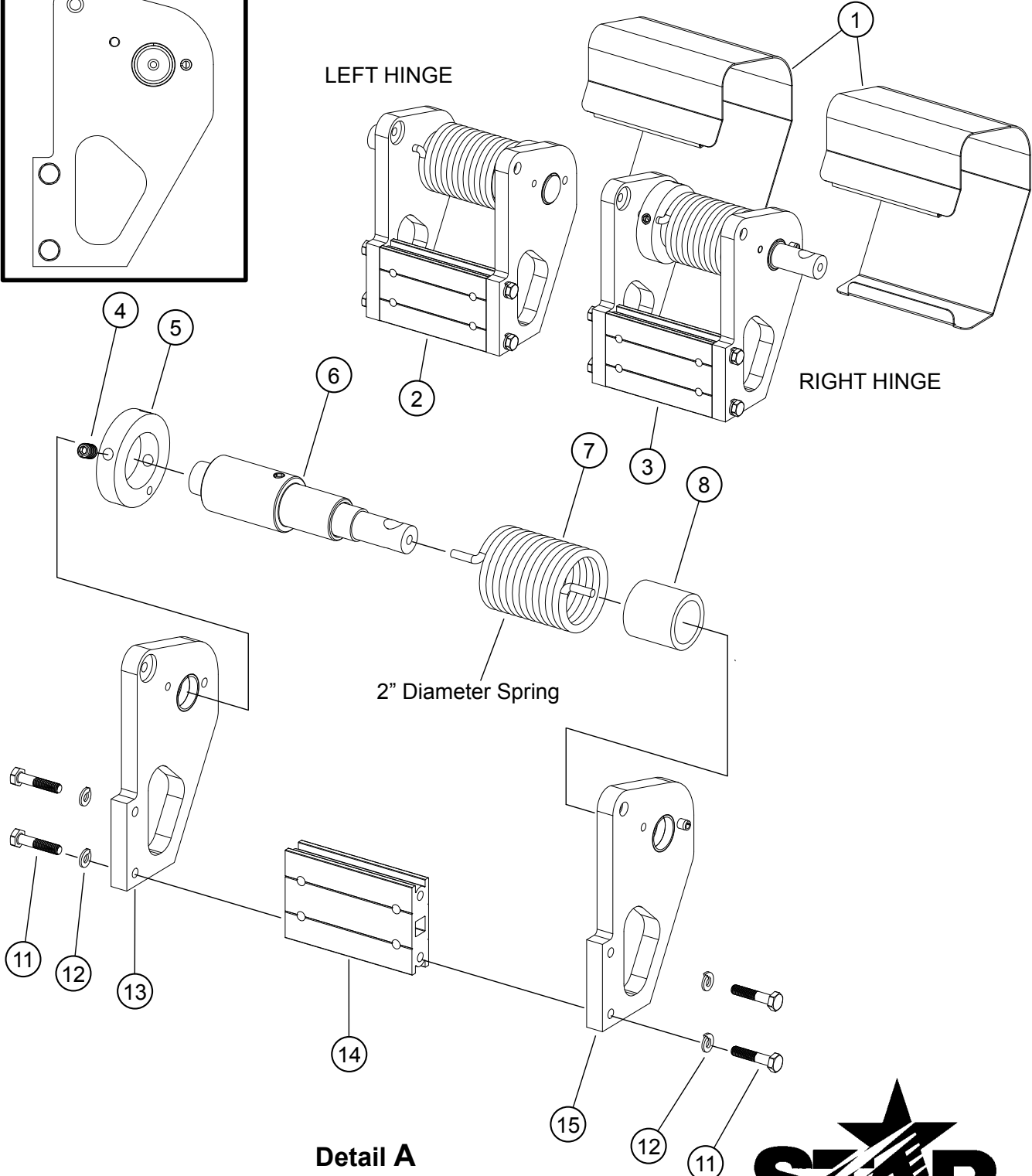
October 19, 2015, Rev. B

| Model: PST14, PGT14, Thermostatically Controlled Sandwich Grill | | | | |
|---|---------------|---|---------------------------|-----------------------|
| 56 | 2J-Y6689 | 1 | PILOT LIGHT 120V | 120V |
| | 2J-Z2329 | | PILOT LIGHT 250V RED NEON | 230V, 240V |
| 57 | D9-GR0709 | 1 | KNOB ASSEMBLY | |
| 58 | 2I-05-07-0013 | 1 | BOOT SWITCH | Timer Models |
| 59 | 2M-Z18461 | 1 | LABEL, POWER, ON AND OFF | Timer Models |
| 60 | Z1-70-07-0343 | 1 | SWITCH GUARD | Timer Models |
| 61 | 2E-Z3808 | 1 | SWITCH -30A@120V | Timer Models |
| 62 | 2K-08-07-0004 | 4 | SPACER ROUND NYLON | Timer Models |
| 63 | 2J-Z1836 | 1 | TIMER CONTROL | Timer Models |
| 64 | 2K-Z1971 | 4 | SPACER .257X.75X.25 NYLON | Timer Models |
| 65 | 2M-Z19089 | 1 | OVERLAY, TIMER, 14" PST | Timer Models |
| NI | 2E-Y9251 | 1 | CORD SET CONT EUR 16AMP | 230V |
| NI | 2E-Z16940 | 1 | CORDSET,14/3,SJTO,90,5-15 | PST14TQ-120V |
| NI | 2E-Z2935 | 1 | CORD SJTO 14/3 NEMA 5-15P | 120V |
| NI | 2E-Z4119 | 1 | POWER CORD, 12/3, 5-20P | 120C |
| NI | 2E-Z9253 | 1 | INLET IEC 320 16 AMP | 230V |
| NI | D9-Z20418 | 2 | SPRING COVER, MACH CAST | |
| NI | 2E-05-07-0351 | 1 | TRANSFORMER 115/10V 6VA | 120V Timer Models |
| | 2E-05-07-0350 | | TRANSFORMER 230V/10A 6VA | 230/240V Timer Models |



LEFT HINGE

RIGHT HINGE



Detail A



PST14, PGTI4 Pro-Max 2.0 Sandwich Grills

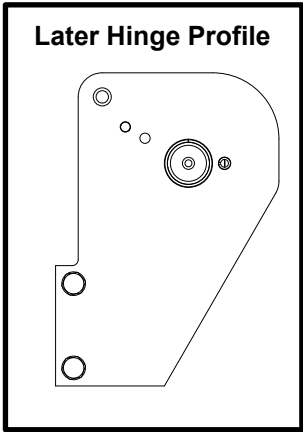
Model: Pro-Max 2.0 Sandwich Grill Hinge Assembly
 Aluminum Platen

SK2907, Rev. A 10/19/15

PARTS LIST

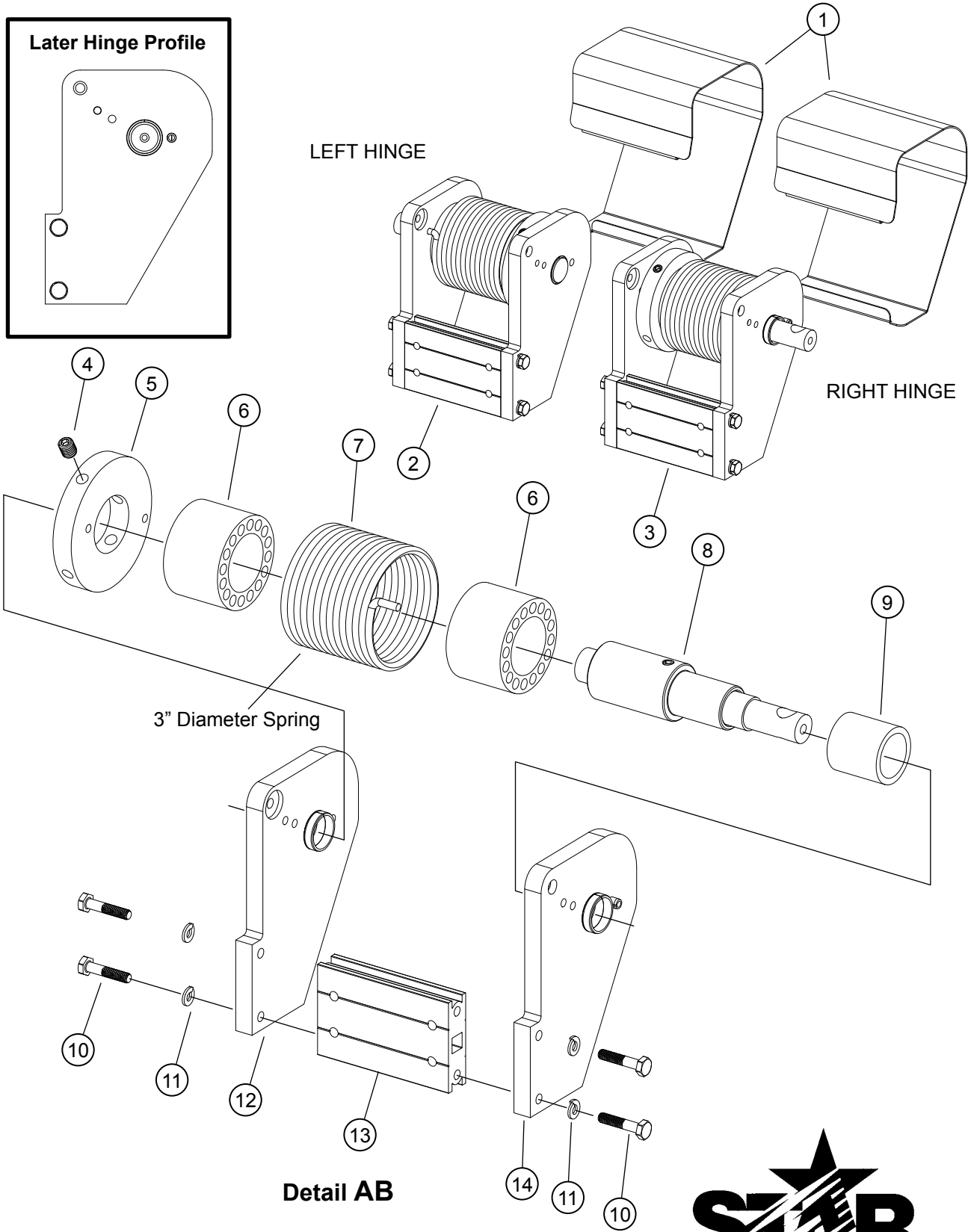
June 03, 2015, Rev. A

| DETAIL A: HINGE ASSEMBLY w/ 2" Dia. Spring | | | | |
|--|-------------|----------|------------------------------|------------------|
| Fig No | Part Number | Quantity | Description | Application |
| 1 | D9-Z18735 | 2 | SPRING COVER, ONE PIECE | |
| 2 | D9-GR0678 | 1 | AY.,LFT HNGE,Z18291 SPRNG | LEFT SIDE |
| 3 | D9-GR0679 | 1 | AY.,LFT HNGE,Z18290 SPRNG | RIGHT SIDE |
| 4 | 2C-20105-20 | 1 | SCRW SET 3/8-16X1/2 CUP | |
| 5 | 2A-Z18327 | 1 | COLLAR, SHAFT | |
| 6 | PS-Z18326 | 1 | SHAFT,COMMON | |
| 7 | 2P-Z18290 | 1 | SPRNG,TORSION,SG14IRON,LH | LEFT SIDE |
| | 2P-Z18291 | | SPRNG,TORSION,SG14IRON,RH | RIGHT SIDE |
| 8 | 2K-Z18470 | 1 | BUSHING, SPRING | |
| 9 | 2C-41180 | 4 | BOLT HEX 1/4-20X1 1/4 | |
| 10 | 2C-20204-02 | 4 | WASHER SS 1/4 SPLIT LOCK | |
| 11 | PS-Z18469 | 1 | PLATE ASSY, RIGHT SIDE | RIGHT SIDE HINGE |
| | PS-Z18469-1 | | PLATE ASSY, LEFT SIDE | LEFT SIDE HINGE |
| 12 | 2I-Z18318 | 1 | PLATE,REAR | |
| 13 | PS-Z18319 | 1 | PLATE ASSY, RIGHT SIDE | RIGHT SIDE HINGE |
| | PS-Z18319-1 | | PLATE ASSY, LEFT SIDE | LEFT SIDE HINGE |
| NI | 1L-Z12397 | AR | TRIBOLUBE HIGH TEMP 1oz TUBE | |



LEFT HINGE

RIGHT HINGE



Detail AB



PST14, PGTI4 Pro-Max 2.0 Sandwich Grills

Model: Pro-Max 2.0 Sandwich Grill Hinge Assembly
Iron Platten

SK2907, Rev. A 10/19/15

PARTS LIST

June 03, 2015, Rev. A

| DETAIL A: HINGE ASSEMBLY w/ 3" Dia. Spring | | | | |
|--|-------------|----------|------------------------------|---|
| Fig No. | Part Number | Quantity | Description | Application |
| 1 | D9-Z20200 | 2 | SPRING COVER, LARGE SPRING | |
| | D9-Z20418 | | SPRING COVER, MACH CAST | ONLY USED WITH OLD MACHINE CASTINGS 2F-Z19350 & 2F-19382 |
| 2 | D9-GR0726 | 1 | AY.,LT HNGE,Z20197 SPRING | RIGHT SIDE |
| 3 | D9-GR0727 | 1 | AY.,RT HNGE,Z20196 SPRING | |
| 4 | 2C-20105-20 | 1 | SCRW SET 3/8-16X1/2 CUP | |
| 5 | 2A-Z20195 | 1 | COLLAR, SHAFT | |
| 6 | 2K-Z20439 | 1 | SPRING BUSHING, MACHINED | |
| | 2K-Z20194 | 2 | SPRING BUSHING, PLASTIC | |
| 7 | 2P-Z20196 | 1 | SPRNG,TORSION,SG14IRON,LH | LEFT SIDE HINGE |
| | 2P-Z20197 | | SPRNG,TORSION,SG14IRON,RH | RIGHT SIDE HINGE |
| 8 | PS-Z18326 | 1 | SHAFT ASSY, COMMON | |
| 9 | 2K-Z18470 | 1 | BUSHING, SPRING | |
| 10 | 2C-41180 | 4 | BOLT HEX 1/4-20X1 1/4 | |
| 11 | 2C-20204-02 | 4 | WASHER SS 1/4 SPLIT LOCK | |
| 12 | PS-Z20199 | 1 | PLATE ASSY, RIGHT SIDE | RIGHT SIDE HINGE |
| | PS-Z20199-1 | | | LEFT SIDE HINGE |
| 13 | 2I-Z18318 | 1 | PLATE,REAR | |
| 14 | PS-Z20198 | 1 | PLATE ASSY, LEFT SIDE | RIGHT SIDE HINGE |
| | PS-Z20198-1 | | | LEFT SIDE HINGE |
| NI | 1L-Z12397 | AR | TRIBOLUBE HIGH TEMP 1oz TUBE | |