

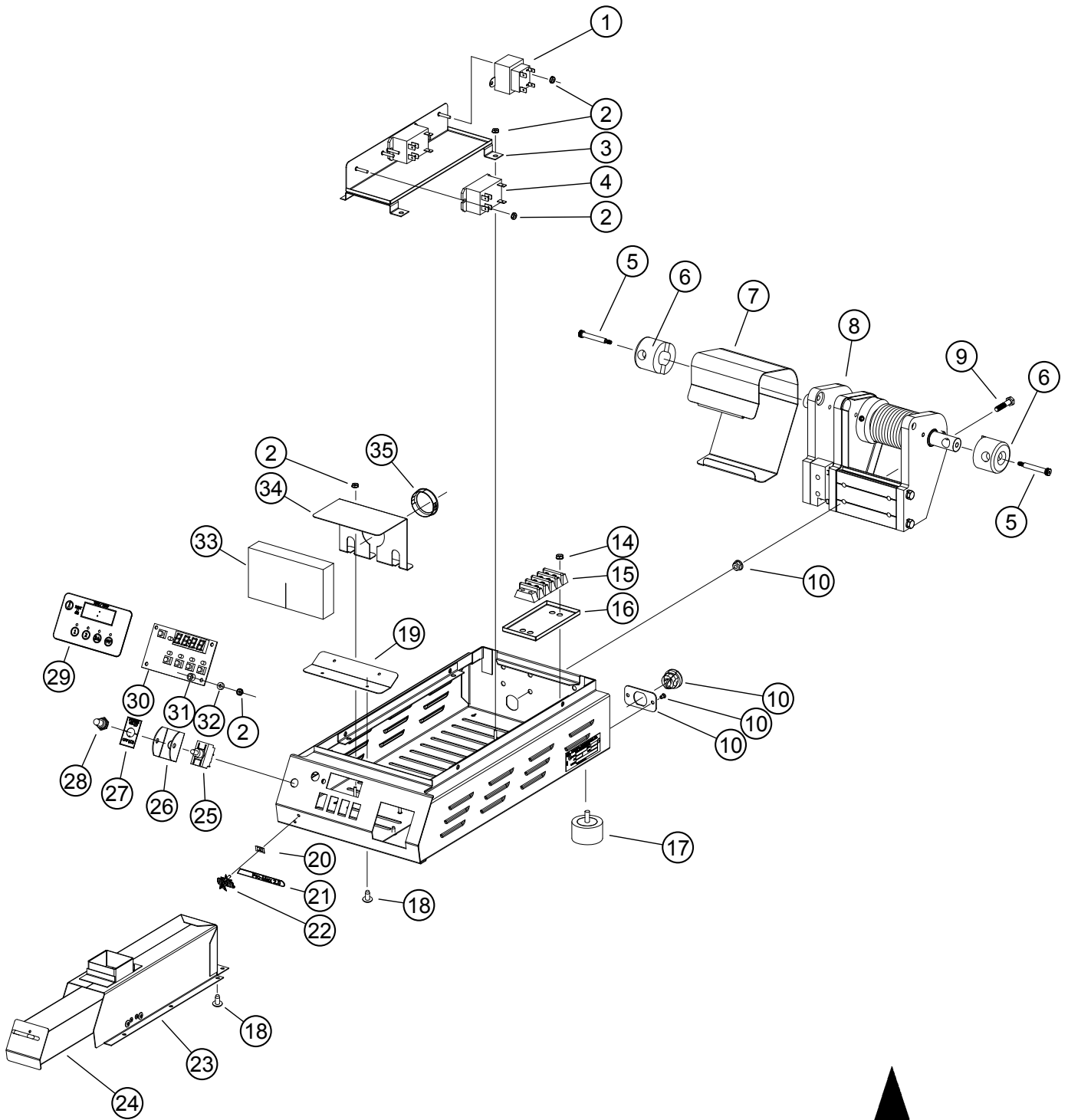
Model: PST7E Platten Assemblies



PARTS LIST

April 22, 2015

Model: PST7E Platen Assemblies				
Fig. No	Part Number	Qty	Description	Application
1	2C-Z18300	2	SCR,SHLDR,SS,3/8 DIA.X1.0	
2	2B-Z19515	1	ARM,RIGHT,7 IN.	
3	2C-Z18751	4	SCR,SHLDR,SS,3/8 DIA.X.50	
4	D9-GR0650	1	LINK AY., LEFT	
5	2C-Z18752	4	LOCKNUT, ACORN,1/4-20,SS	
6	2C-37498	4	BOLT HEX 3/8-16 X 1 SS	
7	2V-Z18468	1	PLATE, LIFTING, LEFT SIDE	
8	D9-GR0685	1	WELD AY.,TOP HOUSING,7	PST7E-CH
	D9-GR0728			
9	2C-Z3780	2	RETAINER, CONDUIT	
10	2C-Z3917	2	RIVET, POP, .188 (AD66BS)	
11	2E-Z2898	1	CONDUIT ASSY. - PTFE	
12	2A-Z3827	1	PLATE,STAMPING - CONDUIT	
13	2E-Z3768	1	LOCKNUT, CONDUIT, 1/2 IN.	
14	2V-Z18311	1	PLATE,LIFTING,RIGHT SIDE	
15	D9-GR0651	1	LINK AY., RIGHT	
16	2B-Z19514	1	ARM,LEFT.7 IN.	
17	2C-Z18749	4	SCREW,SS,10-32X625 PH FHD	
18	2V-Z19512	1	HANDLE,7 IN.	
19	2C-2853	1	SCREW #8X5/8 A THP STL NP	
20	B9-04-WB-0046	1	CLAMP WIRE SUPPORT	
21	2C-Y1451	2	RIVET 1/8 x .337 MORISON	
22	D9-Z13012	1	WIRE MOUNT	
23	D9-Z2133	1	INSULATION FIBERGLAS TOP	
24	2C-Z2893	16	NUT 10-24 HEX STL ZP	
25	D9-Z13013	2	BRACKET, INSULATION HOLD	
26	D9-Z13011	1	PLATE-TOP ELEMENT RET.	
27	PS-Z9325	1	ELEMENT HEATING TOP 500W	120V
	PS-Z9326		ELEMENT HEATING TOP 500W	230V, 240V, UK
28	2C-08-07-0285	8	SCREW 10-24X3/4X3/8 TYPE	
29	2C-1512	3	SCREW 10-24X3/8 RHP STL	
30	2C-1827	3	WASHER #10 EXT STL NP	
31	2C-8833	2	SCREW 8-18X1/2 HEX STL NP	
32	2C-Z3350	1	HALF CLAMP .188 D STL ZP	
33	2E-Z3278	1	RTD PROBE - 60" LONG WIRE	
34	D9-Z3903	1	BRACKET, PROBE MOUNT	
35	PS-GR0356	1	KIT, 2F-Z3237 TOP CASTING, SMOOTH	PST7E
	PS-GR0355		KIT, 2F-Z5615 TOP CASTING, GROOVED	PST7EGT, PGT7
	2F-Z7967		CASTING, IRON, TOP, GR.-SPT	PGT7I
	2F-Z8349		CASTING, IRON-TOP SMTH SPT	PST7I
36	2C-Z5883	8	10-24 X 1/2 FZA SCREW	
37	2F-Z17103	1	CASTING,BTTM,SMOOTH,AL,7	PST7
	2F-Z17104		CASTING,BOTTOM GRV ALUM	PGT7
	2F-Z19221		CASTING, BTM,GROOVE,IRON 7	PGT7I
	2F-Z19220		CASTING,BTM,SMOOTH,IRON,7	PST7I
38	D9-Z19534	1	BRACKET,PROBE,BOTTOM,7	
39	2E-Z1470	1	SNSR-RTD,2K OHM,24"LDS	
40	2N-Z17082	1	ELEMENT,925W,120V,7 BTTM	120V
	2N-Z19546		ELEMENT,925W,240V, 7 BTTM	230V, 240V, UK
41	D9-Z12012	1	PLATE, BOTTOM ELEMENT	
42	D9-Z19424	1	INSULATION,7,BOTTOM	
43	D9-Z12885	2	INSULATION HOLD DOWN,	



Model: PST7E Base Assembly

SK2845

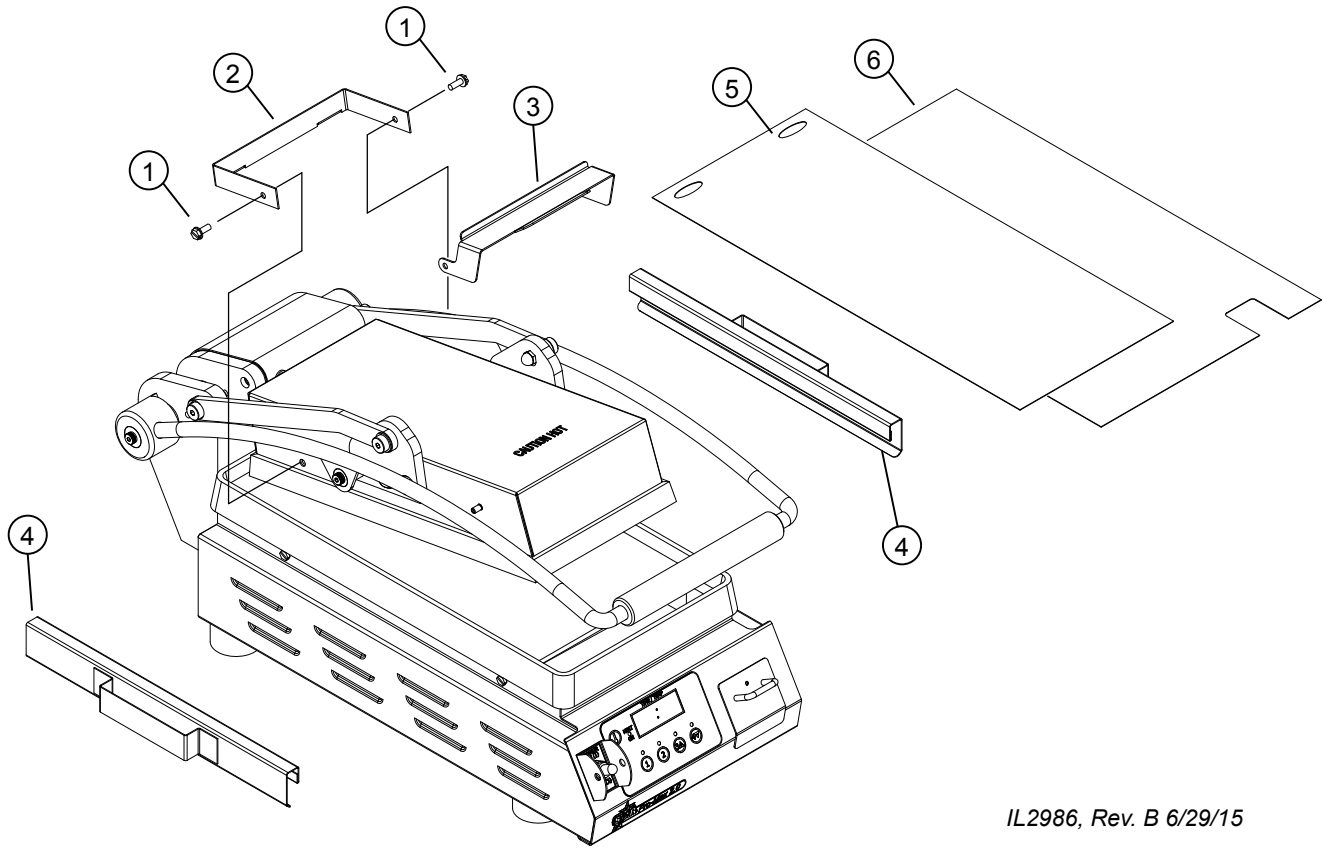
Rev. - 1/26/15

PARTS LIST

April 22, 2015

Model: PST7E, PGT7E Base				
Fig. No	Part Number	Qty	Description	Application
1	2E-05-07-0351	1	TRANSFORMER 115/10V 6VA	120V
	2E-05-07-0350		TRANSFORMER 230V/10V 6VA	230V, 240V, UK
2	2C-Z2594	19	NUT 6-32 HEX W STL NP	
3	D9-GR0680	1	WELD AY.,RELAY & TFMR MT.	
4	2E-Z3335	2	RELAY DBL POLE-SNGL THROW	
5	2C-Z18302	2	SCR,SHLDR,1/4 DIA.X1.5	
6	2A-Z18301	2	COLLAR AND STOP	
7	D9-Z19543	1	SPRING COVER, 7"	
8	D9-GR0704	1	ASSY.,HINGE,7,Z18289 SPRG	
9	2C-41180	12	BOLT HEX 1/4-20X1 1/4	
10	2C-20301-20	6	NUT LOCK STOVER 1/4-20	
11	2K-Y2968	1	BUSHING - HEYCO 7W-2	120V, 240V
12	2C-Y6138	6	RIVET 1/8X.250 POP SS SM	
13	D9-Z19225	1	CORD PLATE	120V, 240V
14	2C-Z3447	1	NUT 8-32 HEX W/EXTERNAL	
15	2E-Z2894	1	TERMINAL BLOCK (304)	
16	D9-Z19226	1	PAN,TERMINAL BLOCK	
17	2R-Z18201	4	FOOT 1.69X1 SIL 1/4 20	
18	2C-6349	10	SCREW #8X3/8 B THP STL NP	
19	D9-Z19505	1	ANGLE,CTRL,7	
20	2C-8477	2	CLIP .125 PO STL PHOS	
21	2M-Z18452	1	LABEL, PRO-MAX	
22	2M-Z15305	1	STAR LOGO, SMALL	
23	D9-GR0696	1	WLD & RIVET AY.,7 GRS HSG	
24	D9-GR0690	1	GREASE CUP AY.,7	
25	2E-Z3808	1	SWITCH(EATON)-30A@120V,	
26	Z1-70-07-0343	1	SWITCH GUARD	
27	2M-Z18461	1	LABEL, POWER, ON AND OFF	
28	2I-05-07-0013	1	BOOT SWITCH	
29	2M-Z19409	1	OVERLAY,Z11593 EL CONTROL	
30	2J-Z11593	1	CONTROL BOARD, STANDARD	
	2J-Z17371	1	CONTROL BOARD, SPECIALTY	PGT7ETH/ PST7E-CH
31	2K-Z1971	4	SPACER .257X.75X.25 NYLON	
32	2K-08-07-0004	4	SPACER ROUND NYLON	
33	D9-Z19533	1	INSULATION,ELEC. CTRL.,7"	
34	D9-Z19242	1	HEAT SHIELD,CTRL,7	
35	2K-Z19330	1	BUSHING HEYCO #2883	
NI	2E-Z2935	1	CORD SJTO 14/3 NEMA 5-15P	120V
NI	2E-Y9251	1	CORD SET CONT EUR 16AMP	230V
NI	2E-Z9192	1	CORDSET(DETACHABLE) - UK	UK
NI	2E-Y9253	1	INLET IEC 320 16 AMP	230V, UK
NI	2M-Z19532	1	OVERLAY,BEZEL,GRS. CUP,7	

PST7E-CH Unique Parts



IL2986, Rev. B 6/29/15

D9-GR0720; 7" SG NON-STICK SHEET KIT

Fig No	Part No	Qty	Description
1	2C-Z5883	not included	SCREW, 10-24 X 1/2 SELF-DRILLING
2	D9-Z20145	not included	REAR BRACKET
3	D9-Z20580	not included	PTFE BRACKET, FRONT CLIP
4	D9-GR0722	not included	LOWER BRACKET ASSY
5	2H-Z20036	6	UPPER NON-STICK SHEET
6	2H-Z20035	6	LOWER NON-STICK SHEET