

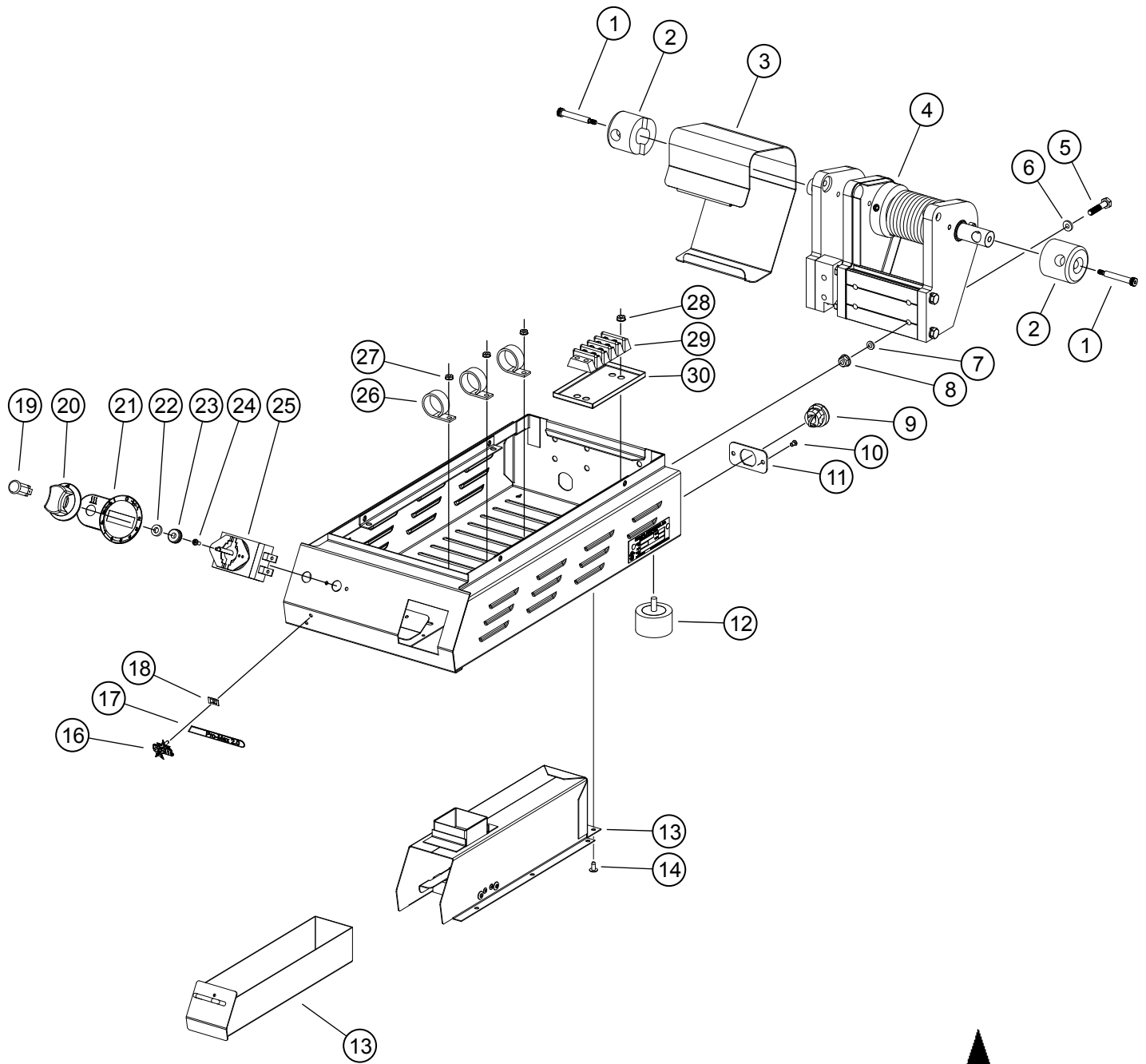
Model: PST7 Platten Assemblies



PARTS LIST

April 2, 2015,

Model: PST7 Platen Assemblies				
Fig. No	Part Number	Qty	Description	Application
1	2C-Z18300	2	SCR,SHLDR,SS,3/8 DIA.X1.0	
2	2B-Z19515	1	ARM,RIGHT,7 IN.	
3	2C-Z18751	4	SCR,SHLDR,SS,3/8 DIA.X.50	
4	D9-GR0650	1	LINK AY., LEFT	
5	2C-Z18752	4	LOCKNUT, ACORN,1/4-20,SS	
6	2C-37498	4	BOLT HEX 3/8-16 X 1 SS	
7	2V-Z18468	1	PLATE, LIFTING, LEFT SIDE	
8	D9-GR0685	1	WELD AY.,TOP HOUSING,7	
9	2C-Z3780	2	RETAINER, CONDUIT	
10	2C-Z3917	2	RIVET, POP, .188 (AD66BS)	
11	2E-Z2898	1	CONDUIT ASSY. - PTFE	
12	2A-Z3827	1	PLATE,STAMPING - CONDUIT	
13	2E-Z3768	1	LOCKNUT, CONDUIT, 1/2 IN.	
14	2V-Z18311	1	PLATE,LIFTING,RIGHT SIDE	
15	D9-GR0651	1	LINK AY., RIGHT	
16	2B-Z19514	1	ARM,LEFT.7 IN.	
17	2C-Z18749	4	SCREW,SS,10-32X625 PH FHD	
18	2V-Z19512	1	HANDLE,7 IN.	
19	2C-2853	1	SCREW #8X5/8 A THP STL NP	
20	B9-04-WB-0046	1	CLAMP WIRE SUPPORT	
21	2C-Y1451	2	RIVET 1/8 x .337 MORISON	
22	D9-Z13012	1	WIRE MOUNT	
23	D9-Z2133	1	INSULATION FIBERGLAS TOP	
24	2C-Z2893	16	NUT 10-24 HEX STL ZP	
25	D9-Z13013	2	BRACKET, INSULATION HOLD	
26	D9-Z13011	1	PLATE-TOP ELEMENT RET.	
27	PS-Z9325	1	ELEMENT HEATING TOP 500W	120V
	PS-Z9326		ELEMENT HEATING TOP 500W	230V, 240V, UK
28	2C-08-07-0285	8	SCREW 10-24X3/4X3/8 TYPE	
29	PS-GR0356	1	KIT, 2F-Z3237 TOP CASTING, SMOOTH	PST7E
	PS-GR0355		KIT, 2F-Z5615 TOP CASTING, GROOVED	PST7EGT, PGT7
	2F-Z7967		CASTING, IRON, TOP, GR.-SPT	PGT7I
30	2C-Z5883	8	10-24 X 1/2 FZA SCREW	
31	2F-Z17103	1	CASTING,BTTM,SMOOTH,AL,7	PST7
	2F-Z17104		CASTING,BOTTOM GRV ALUM	PGT7
	2F-Z19221		CASTING, BTM,GROOVE,IRON 7	PGT7I
32	2N-Z17082	1	ELEMENT,925W,120V,7 BTTM	120V
	2N-Z19546		ELEMENT,925W,240V, 7 BTTM	230V, 240V, UK
33	D9-Z12012	1	PLATE, BOTTOM ELEMENT	
34	D9-Z19424	1	INSULATION,7,BOTTOM	
35	D9-Z12885	2	INSULATION HOLD DOWN,	



Model: PST7 Base Assembly



SK2890, Rev. - 4/1/15

PARTS LIST

April 2, 2015,

Model: PST7 Base				
Fig No	Part Number	Qty	Description	Application
1	2C-Z18302	2	SCR,SHLDR,1/4 DIA.X1.5	
2	2A-Z18301	2	COLLAR AND STOP	
3	D9-Z19543	1	SPRING COVER, 7"	
4	D9-GR0704	1	ASSY.,HINGE,7,Z18289 SPRG	
5	2C-41180	6	BOLT HEX 1/4-20X1 1/4	
6	2C-1811	6	WASHER 1/4 BURR STL NP	
7	2C-20204-02	6	WASHER SS 1/4 SPLIT LOCK	
8	2C-20301-20	6	NUT LOCK STOVER 1/4-20	
9	2K-Y2968	1	BUSHING - HEYCO 7W-2	120V
	2K-Y9253		INLET IEC 320 16 AMP	230V
10	2C-Y6138	4	RIVET 1/8X.250 POP SS SM	
11	D9-Z19225	1	CORD PLATE	
12	2R-Z18201	4	FOOT 1.69X1 SIL 1/4 20	
13	D9-GR0696	1	WLD & RIVET AY.,7 GRS HSG	
14	2C-6349	10	SCREW #8X3/8 B THP STL NP	
15	D9-GR0690	1	GREASE CUP AY.,7	
16	2M-Z15305	1	STAR LOGO, SMALL	
17	2M-Z18452	1	LABEL, PRO-MAX	
18	2C-8477	2	CLIP .125 PO STL PHOS	
19	2J-Y6689	1	PILOT LIGHT 120V	120V
	2J-Z2329		PILOT LIGHT 250V RED NEON	230V
20	D9-GR0709	1	KNOB ASSEMBLY	
21	2M-Z18453	1	LABEL, DIAL AND LIGHT	
22	2I-Z3380	1	THERMOSTAT SEAL WASHER	
23	2I-Z3379	1	T-STAT GROMMET	
24	2C-1488	2	SCREW 6-32X3/8 RHP STL NP	
25	2T-6447	1	THERMOSTAT 118V-236V	
26	2C-Z19091	3	1.00 DIA. WIRE CLIP,NYLON	
27	2C-Z2594	5	NUT 6-32 HEX W STL NP	
28	2C-Z3447	1	NUT 8-32 HEX W/EXTERNAL	
29	2E-Z2894	1	TERMINAL BLOCK (304)	
30	D9-Z19226	1	PAN,TERMINAL BLOCK	
NI	2E-Y9251	1	CORD SET CONT EUR 16AMP	230V
	2E-Z2770		CORD, POWER, 14-3, 6-15P	240V
	2E-Z2935		CORD SJTO 14/3 NEMA 5-15P	120V