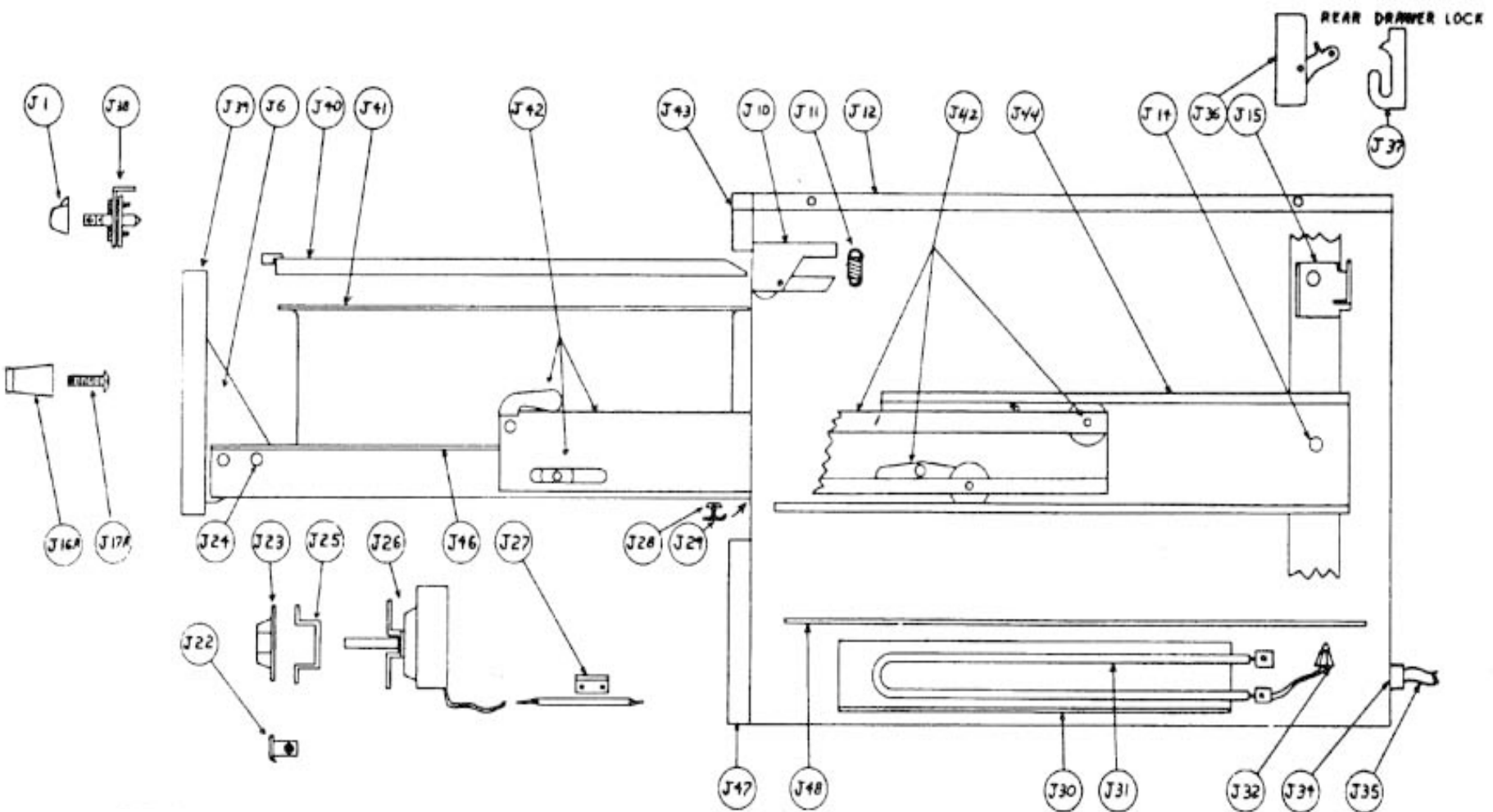


REPLACEMENT PARTS PRICE LIST

MODELS: STT1, STT2, STT3-L; STT1 BI, STT2 BI, STT3 BI-L (120V)

STT1, STT2, STT3-H; STT1 BI, STT2 BI, SST3 BI-H (208/230V)



9E MODEL STT Series Drawer Food Warmer

Key Number	Part Number	Number Per Unit	Description	
J1	2R-09-FW-0006	1/2/3	MOIST CRISP CONTROL KNOB	STT1/STT2/STT3
J6	E9-04-FW-0111	1/2/3	DRAWER SUPPORT (LEFT)	STT1/STT2/STT3
	E9-04-FW-0060	1/2/3	DRAWER SUPPORT (RIGHT)	STT1/STT2/STT3
J10,Q11	E9-30-FW-0043	1/2/3	LID LIFT ASSEMBLY	STT1/STT2/STT3
J12	E9-04-FW-0183	1	TOP, STAINLESS STEEL	
J14			SCREW (<i>OBTAIN LOCALLY</i>)	
J15	E9-04-FW-0136	1/2/3	LID REST GUIDE (LEFT)	STT1/STT2/STT3
	E9-04-FW-0137	1/2/3	LID REST GUIDE (RIGHT)	STT1/STT2/STT3
J16a	2R-Y7557	1/2/3	HANDLE - DOOR	STT1/STT2/STT3
J16b	2A-09-07-0222	2/4/6	HANDLE INSERT (<i>not shown</i>)	STT1/STT2/STT3
J17a	2C-08-07-0048	2/4/6	HANDLE SCREW (10-32 x 1.75)	STT1/STT2/STT3
J22	Z1-30-07-0236	1	PILOT LIGHT (120V)	
	E9-30-FW-0143	1	PILOT LIGHT (208/240V)	
J23	2R-09-07-0006	1	THERMOSTAT KNOB	
J24			HEX HEAD SCREW (<i>OBTAIN LOCALLY</i>)	
J25	E9-04-FW-0243	1	THERMOSTAT BRACKET	
J26	2T-05-FW-0003	1	THERMOSTAT, CAPILLARY TUBE TYPE	
J27	E9-04-FW-0131	1	THERMOSTAT BULB HOLDER	
J28			SCREW (<i>OBTAIN LOCALLY</i>)	
J29	E9-04-FW-0103	1/2/3	DRAWER STOP (LEFT)	STT1/STT2/STT3
	E9-04-FW-0313	1/2/3	DRAWER STOP (RIGHT)	
J30	E9-04-FW-0350	8	ELEMENT CLIP	
J31	2N-05-FW-0002	2	ELEMENT, 600 WATT (120/208/240V)	
J32	2C-05-07-0036	2	PORCELAIN WIRE CONNECTOR (OLD STYLE)	
	2E-05-07-0057	1	TERMINAL BLOCK (<i>NEW STYLE</i>) (<i>not shown</i>)	
J34	2K-05-07-0017	1	STRAIN RELIEF, CORDSET	
J35	2E-05-07-0051	1	LEAD-IN CORD (120V)	
	2E-05-07-0049	1	LEAD-IN CORD (208/240V)	
J36	E9-30-FW-0044	1/2/3	REAR DRAWER LOCK	STT1/STT2/STT3
J37	E9-70-FW-0093	1/2/3	REAR DRAWER LOCK CATCH	STT1/STT2/STT3
J38	E9-30-FW-0045	1/2/3	MOIST CRISP CONTROL COMPLETE	STT1/STT2/STT3
J38a	2M-12-FW-0011	1/2/3	LABEL-M/C CONTROL (<i>not shown</i>)	STT1/STT2/STT3
J39	E9-50-FW-0053	1/2/3	DRAWER FRONT <i>less</i> HANDLE	STT1/STT2/STT3
J40	E9-30-FW-0141	1/2/3	PAN LID ASSEMBLY	STT1/STT2/STT3
J41	2D-09-FW-0075	1/2/3	PAN, STAINLESS STEEL (16-1/2 x 17-1/32 x 6)	STT1/STT2/STT3
J42L	E9-30-FW-0037	1/2/3	DRAWER SLIDE-INNER TRACK (LEFT)	STT1/STT2/STT3
J42R	E9-30-FW-0038	1/2/3	DRAWER SLIDE-INNER TRACK (RIGHT)	STT1/STT2/STT3
J43	E9-04-FW-0207	1	FRONT	
J44L	E9-30-FW-0114	1/2/3	DRAWER SLIDE-OUTER TRACK (LEFT)	STT1/STT2/STT3
J44R	E9-30-FW-0115	1/2/3	DRAWER SLIDE-OUTER TRACK (RIGHT)	STT1/STT2/STT3
J46	E9-50-FW-0056	1/2/3	DRAWER FRAME <i>less</i> FRONT	STT1/STT2/STT3
J47	2M-Z1607	1	FACEPLATE	
J48	E9-04-FW-0180	1	ELEMENT COVER	
	2T-05-FW-0004	1	THERMOMETER FLANGE FRONT (<i>OLD STYLE</i>) (<i>not shown</i>)	
	2T-05-FW-0010	1	THERMOMETER 2" DIAL (<i>NEW STYLE</i>) (<i>not shown</i>)	
	E9-04-FW-0132	1	THERMOMETER BULB HOLDER (<i>NEW STYLE</i>) (<i>not shown</i>)	
	2P-09-FW-0025	2	RIGID WHEEL/CASTER (<i>not shown</i>)	
	2P-09-FW-0026	2	SWIVEL WHEEL/CASTER (<i>not shown</i>)	
	2A-09-FW-0023	4	LEG 6" (<i>not shown</i>)	
	2A-09-FW-0024	4	LEG 12" (<i>not shown</i>)	

IMPORTANT: WHEN ORDERING, SPECIFY VOLTAGE OR TYPE GAS DESIRED
INCLUDE MODEL AND SERIAL NUMBER

PAGE 1
OF 1

Some items are included for illustrative purposes only and in certain instances may not be available.



Star Manufacturing International, Inc.