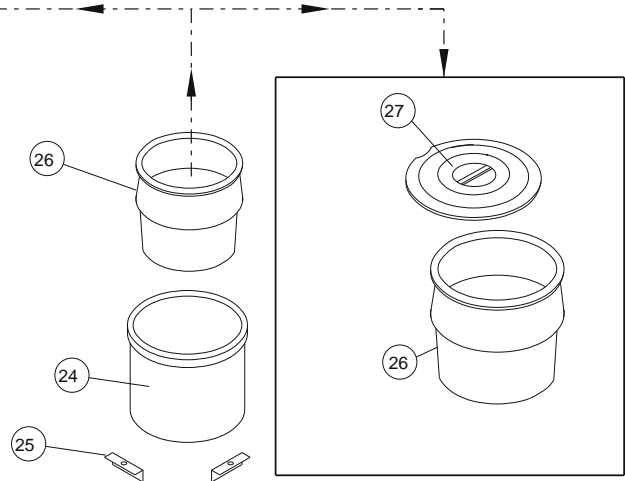
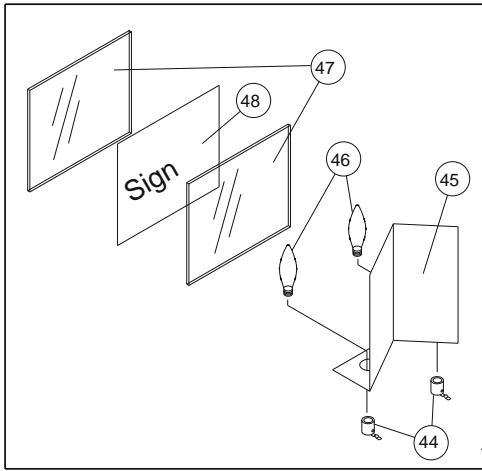


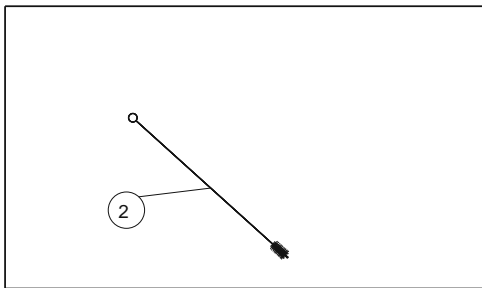
PUMP MODELS



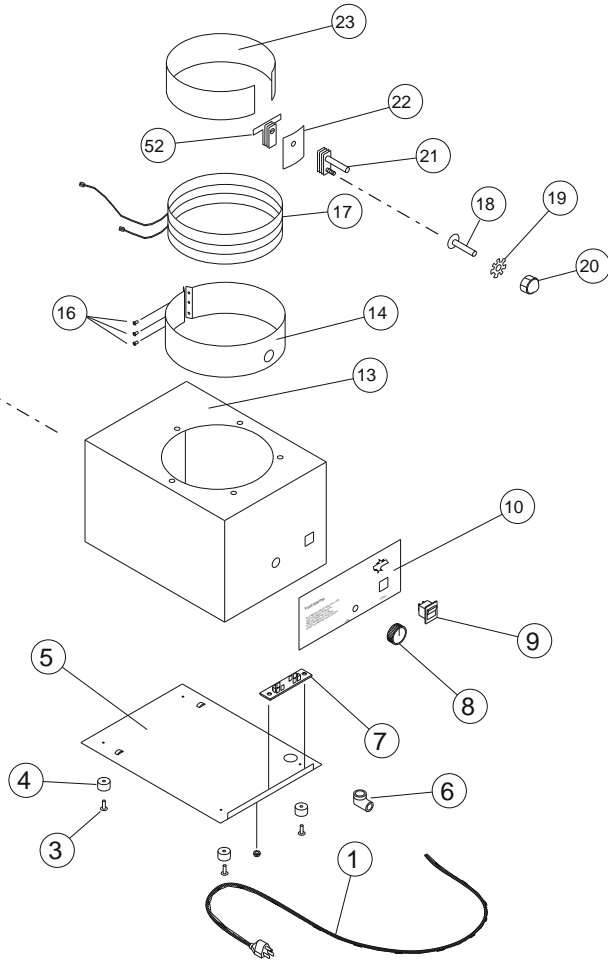
NON-PUMP MODELS



LIGHTED MODELS



PUMP ACCESSORIES



STAR MANUFACTURING INTERNATIONAL, INC.

MODEL: 11WLA- 120/240V

SK1442,

Rev. A

12-14-10

PARTS LIST

December 13 2010, Rev. H

Model: 11WLA, 11WLA-HS, 11WLA-P				
Fig No.	Part No	Qty	Description	Application
1	N1-119030	1	CORD ASSY 120V	120V
1	N1-119033	1	CORD ASSY 120V(CSA)	C/UL
1	N1-119034	1	CORD ASSY. 240V	240V
2	2P-Y6211	1	BRUSH	11WLA-HS, 11WLA-P
3	2C-Y5059	4	POP RIVET	ALL
4	2I-Z0057	4	FOOT	ALL
5	N1-Z0697	1	BOTTOM	ALL
6	2K-Y2968	1	BUSHING STRAIN RELEIF	ALL
7	2E-Y8233	1	TERMIINAL BOARD	ALL
8	2R-Y8261	1	KNOB-THERMOSTAT	ALL
9	2E-Z5884	1	SWITCH	ALL
10	2M-Z0691	1	REAR PANEL (SIGN)	ALL
13	N1-119039	1	BODY ASSY. (WARMER)	11WLA, 11WLA-P
13	N1-119040	1	BODY ASSY. (HEATED SPOUT)	11WLA-HS
14	O1-Y9787	1	BAND-ELEMENT	ALL
16	2C-H5569	3	POP RIVET 1/8 x .6	ALL
17	2N-Z0205	1	ELEMENT 120V	120V, C/UL
17	2N-Z0665	1	ELEMENT 240V	240V
18	2C-1496	2	SCREW 8-32 x 3/4 STL. PH	ALL
19	2C-H8670	1	WASHER-LOCK #8	ALL
20	2C-2556	3	NUT #8-32	ALL
21	2T-Z0245	1	THERMOSTAT	ALL
22	N1-Z0700	1	BRACKET	ALL
23	O1-Y9786	1	BAND-HEATER	11WLA-120V
24	N1-119038	1	HEAT-WELL	11WLA-120V
25	N1-Y3654	5	ANGLE-STIFFENER	11WLA-120V
26	2D-Y3464		BOWL-INSET	ACCESSORY: SSB-11
27	2L-Y6596		COVER 11QT FORMED	ACCESSORY: SSB-11
29	2R-Y9854	1	KNOB-BLK.	11WLA-HS-120V
30	2A-Y9637	1	NUT CYLINDER SLEEVE	11WLA-HS, 11WLA-P
31	N2-Y9848	1	PLATE-PLASTIC PUMP	11WLA-HS, 11WLA-P
32	2V-Y7661	1	PLUNGER-SHIELD	11WLA-P-120V
33	2A-Z0718	1	GUIDE PLUNGER 3"	11WLA-HS, 11WLA-P
34	2P-Z0830	1	SPRING	11WLA-HS-120V
35	N2-Y4146	1	WASHER, SPRING COMPRESS TEFLN	11WLA-HS, 11WLA-P

**IMPORTANT: WHEN ORDERING, SPECIFY VOLTAGE OR TYPE GAS DESIRED
INCLUDE MODEL AND SERIAL NUMBER**

PAGE 1
OF 2

Some items are included for illustrative purposes only and in certain instances may not be available.



Star Manufacturing International, Inc.

PARTS LIST

December 13 2010, Rev. H

Model: 11WLA, 11WLA-HS, 11WLA-P				
Fig No.	Part No	Qty	Description	Application
36	2I-Y9636	1	ROD/PLUNGER	11WLA-HS, 11WLA-P
37	2I-Y4143	1	O-RING, PISTON	11WLA-HS, 11WLA-P
38	2P-Y6196	2	BALL-VALVE	11WLA-HS, 11WLA-P
39	2A-Y7658	1	NUT-SLEEVE IN BG TUBE	11WLA-P-120V
40	2I-Z0730	1	PUMP CHAMBER	11WLA-HS-120V
41	2A-Y9685	1	PIN-"U"	11WLA-HS, 11WLA-P
42	2V-62006	1	DISPENSE TUBE ASSEMBLY STANDARD	11WLA-HS, 11WLA-P
43	N1-119041	1	SPOUT ASSY. 240V	11WLA-HS-240V
43	N1-119044	1	SPOUT ASSY. 120V, used w/2N-Y4440 SPOUT ELEM HEATER	11WLA-HS-120V, 11WLA-HSC/UL
44	N2-30457	2	SOCKET ASSY 2 PO 18" LEAD	ALL
45	N1-119029	1	LAMP SHIELD 120V/240V	11WLA-120V
46	2S-1279	2	LAMP 15W 120V	120V
46	2S-Y8321	2	LAMP 15W 220V	240V
47	2Q-Z0729	2	LEXAN PANEL	11WLA-120V
48	2M-Y9414	1	PACKET (5 SIGNS)	11WLA-120V
52	2T-Z0622	1	THERMOSTAT (HIGH LIMIT)	11WLA-120V
NI	N2-61007		PUMP ASSY COMPLETE	11WLA-HS, 11WLA-P

**IMPORTANT: WHEN ORDERING, SPECIFY VOLTAGE OR TYPE GAS DESIRED
INCLUDE MODEL AND SERIAL NUMBER**

PAGE 2
OF 2

Some items are included for illustrative purposes only and in certain instances may not be available.



Star Manufacturing International, Inc.