

Soft Serve Freezer Generation Next - Parts Price L

VF231-2X-GN (IntelliTec3™)



Effective 10/1/2018
Shaded parts non-returnable

Phone: 920-894-2293
Fax: 800-545-0662

Part Number	Replaced By	Description	Price Each
513707			\$18.00
2208748		Actuator Bracket - Outside	\$14.40
2208749		Actuator Bracket -Center	\$14.40
2208911		Actuator Kit (Kit Includes Actuator, Brackets, Spigot Connector & Pin)	\$377.80
109042		Actuator Only - Spigot Handle	\$221.52
381804		Auger Flight (Has 4 per Barrel)	\$21.10
4157968-SV		Auger Shaft	\$938.60
152231		Belt - Gripnotch (AX32) (One Required) (Rear R.H.) (50/60 Hz)	\$14.00
152238		Belt - Gripnotch (AX34) (One Required) (Rear L.H.) (50/60 Hz)	\$20.80
2208652		Bezel - (Sliding Door)	\$103.20
162077		Blade - Fan (Air-Cooled Condenser)	\$29.40
208401		Brush - 1" X 3" X 10"	\$3.40
208380		Brush - 1/4" X 3" X 14"	\$2.70
208467		Brush - 3/8" X 1" X 5"	\$3.10
208135		Brush - 4" X 8" X 16" (Barrel)	\$28.50
2177917		Brush Kit	\$110.00
149003		Bushing - Front Auger Support	\$7.00
232741		Cap - Rosette (6-Point Teardrop) (Translucent)	\$3.80
231107-SV		Cap Tube & Drier Assembly	\$118.60
231084		Capacitor - Run (#282032 & #282050 Compressors)	\$66.40
231078		Capacitor - Run (#522858 Motor)	\$147.20
231098		Capacitor - Run (#522859 Motor)	\$58.00
231079		Capacitor - Start (#282032 Compressor)	\$42.90
230649		Capacitor - Start (#282050 Compressor)	\$52.00
231095		Capacitor - Start (#522858 Motor)	\$43.30
231097		Capacitor - Start (#522859 Motor)	\$60.90
2204806		Carburetor Assembly - Adjustable	\$354.00
2203353		Carburetor Tube Insert Only (2204806 Adjustable Carburetor Assembly)	\$88.60
2203352		Carburetor Tube Only (2204806 Adjustable Carburetor Assembly)	\$236.90
236059		Card - Cleaning Instructions	\$4.20
266164		Clip - Thermistor (#672798)	\$1.40
282050		Compressor - 1 PH (50 Hz) (No Capacitors)	\$1,162.00
282032-SV		Compressor - Copeland 1 PH - 60 Hz - R404A (No Capacitors)	\$1,078.30
284084		Condenser (Air-Cooled)	\$232.40
295285		Contact (50/60 HZ) (Drive & Compressor)	\$35.20
431345		Cord - Power	\$65.10
2206567		Cover Assembly - L.H. Hopper	\$266.70
2206566		Cover Assembly - R.H. Hopper	\$266.70
2177428		Door w/Pins	\$1,258.70
1172693		Drain Tube	\$16.70
342020		Drier - Cap Tube	\$15.10

Part Number	Replaced By	Description	Price Each
342004		Drier (Liquid Line)	\$28.70
2208754		Evaporator Assembly	\$5,575.80
368140		Filter - Air (Condenser)	\$21.20
482019		Knob - Front Door (Black)	\$5.00
482004		Knob (Spigot Pin / Delivery Chamber)	\$5.90
431249		LED Asembly (Delivery Chamber)	\$133.10
508053		Lubricant - Total Blend (50 Packets)	\$54.60
2208687		Module - System Control (Programmed)	\$600.90
2208794		Module Kit - High Voltage (Includes Module & Wire Harness)	\$1,145.80
2208688		Module Kit - Vending Control (Includes Module & Wire Harness)	\$1,283.90
522859-SV		Motor - Drive w/Capacitors (1 PH, 50 Hz)	\$757.00
522858-SV		Motor - Drive w/Capacitors (1 PH, 60 Hz)	\$669.90
522291		Motor - Fan (Air-Cooled Condenser) (50/60 Hz)	\$288.40
624677-5		O-Ring - Carburetor Assembly - Black (5 Pack)	\$6.50
625133		O-Ring - Front Door - Red	\$9.00
624664-5		O-Ring - Middle Center Spigot - Black (5 Pack)	\$6.80
624598-5		O-Ring - Outside Spigot - Black (5 Pack)	\$6.30
624678-5		O-Ring - Rear Seal - Black (5 Pack)	\$11.10
624614-5		O-Ring - Top & Bottom Center Spigot - Black (5 Pack)	\$6.40
1159501		O-Ring & Bushing Kit	\$42.50
2208657		Panel - Delivery Sliding Door	\$123.70
2208656		Panel - Header	\$129.30
2208614		Panel - Lower Front	\$28.80
2208591		Panel - Lower L.H. Side	\$46.40
2208589		Panel - Lower R.H. Side	\$46.40
2208747		Panel - Middle Front	\$113.40
2208689		Panel - Top	\$314.20
2208588		Panel - Upper Front	\$179.90
2208682		Panel - Upper L.H. Side	\$61.80
2208681		Panel - Upper R.H. Side	\$61.80
570196		Pin - Cotterless Clevis (Actuator Top)	\$14.70
570006		Pin - Quick Release (Actuator)	\$11.20
570309		Pin Only (Spigot to Actuator Bottom) (Requires #482004)	\$10.20
2183006		Probe Assembly - Hopper Liquid Level	\$85.00
598026		Pulley - Drive Motor (50 Hz)	\$42.10
598540		Pulley - Drive Motor (60 Hz)	\$19.00
598032		Pulley - Speed Reducer (50/60 Hz)	\$47.80
618157		Relay - Start (#282032 Compressor)	\$33.20
618142		Relay - Start (#282050 Compressor)	\$71.70
2208775		Robot Center Cover Support	\$24.80
2208773		Robot Cover - Front	\$24.60
2208772		Robot Cover - L.H.	\$25.00

Minimum Parts Order - \$100.00 Net. A \$15.00 order charge will be applied to orders less than \$100.00
When Ordering Parts, Mention Serial Number
Prices Are Subject To Change Without Notice

* Items that begin with a star are suggested stock.
Refer to the Suggested Stock List for stock quantities.

Soft Serve Freezer Generation Next - Parts Price L VF231-2X-GN (IntelliTec3™)



Effective 10/1/2018
Shaded parts non-returnable

Phone: 920-894-2293
Fax: 800-545-0662

Part Number	Replaced By	Description	Price Each
2208771		Robot Cover - R.H.	\$25.00
2208774		Robot Cover - Rear Center	\$19.30
647899		Screw - (Side Panels) (6 Per Side)	\$0.30
647653		Screw - Middle Front Panel (6)	\$0.30
653020		Screw - Thumb (Delivery Chamber)	\$1.30
647651		Screw - Upper Front Panel (2)	\$0.30
649114		Screw - Upper Front Panel (4) / Lower Front Panel (6)	\$0.10
648157		Screw (Header Panel (4) / Top Panel (4))	\$1.30
666786		Seal - Rear Auger - Black	\$72.00
2208743		Sensor Assembly - Cup In Place	\$188.00
458003		Sight Glass	\$40.40
614237		Speed Reducer	\$1,216.20
2204096		Spigot Body - Center	\$89.40
2204095		Spigot Body - Outer	\$65.20
2204094		Spigot Connector	\$143.00
694255		Spring - Auger Flight	\$1.10
701029		Standoff - Panel (Metal 1/2" Threaded)	\$10.10
2205440		Support - Front Auger	\$59.00
718794		Switch - High Pressure Cutout	\$105.00
718773		Switch - Limit (Sliding Door)	\$27.80
2204111		Switch Assembly - Door Interlock	\$129.20
719137		Switch Only - Magnetic (Door Interlock)	\$13.40
672798		Thermistor Sensor - Yellow	\$34.80
744008		Transformer (50/60 Hz)	\$77.30
744606		Tray - Drain (Black Plastic)	\$53.00
762978		Valve - EPR	\$80.30
762454		Valve - Expansion	\$97.10
763012		Valve - Hot Gas Bypass	\$153.90
762275		Valve - Magna Check	\$88.00
2206769		Valve Coil Assembly - L.H. (Suction & Liquid)	\$37.20
2206768		Valve Coil Assembly - R.H. (Suction, Liquid & Hopper Cap Tube)	\$37.20
763300		Valve w/O-Ring - Solenoid (1/2" x 1/2" Suction Line) Danfoss	\$58.40
763299		Valve w/O-Ring - Solenoid (1/4" x 1/4" Liquid Line) Danfoss	\$58.40

Decal

Part Number	Replaced By	Description	Price Each
324141		Decal - Caution Rotating Blades	\$0.50
324509		Decal - Cleaning Instructions	\$1.40
C-1000-26C		Decal - Made In USA	\$0.60
325023		Decal - Stoelting (Black) (Large) (Header Panel)	\$5.70
325032		Decal - White Glove Service	\$0.90
324566		Decal - Wired According To	\$0.50

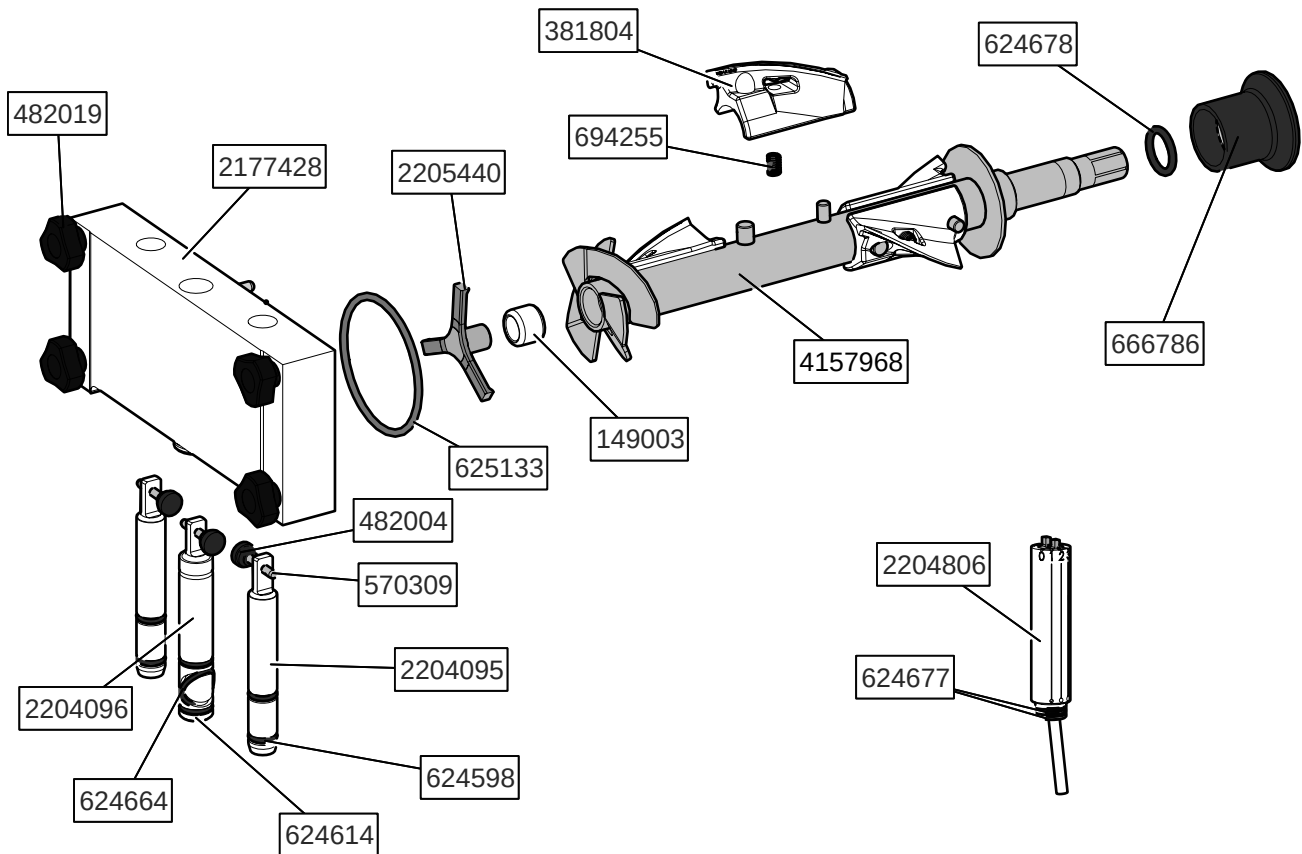
Decal

Part Number	Replaced By	Description	Price Each
324584		Decal - Adequate Ventilation 3"	\$1.40
324594		Decal - Attention Heat Sensitive	\$0.20
324208		Decal - Attention Refrigerant Leak Check	\$0.20
324105		Decal - Caution Electrical Shock	\$0.50
324106		Decal - Caution Electrical Wiring Materials	\$0.80
324107		Decal - Caution Hazardous Moving Parts	\$0.70

Minimum Parts Order - \$100.00 Net. A \$15.00 order charge will be applied to orders less than \$100.00
When Ordering Parts, Mention Serial Number
Prices Are Subject To Change Without Notice

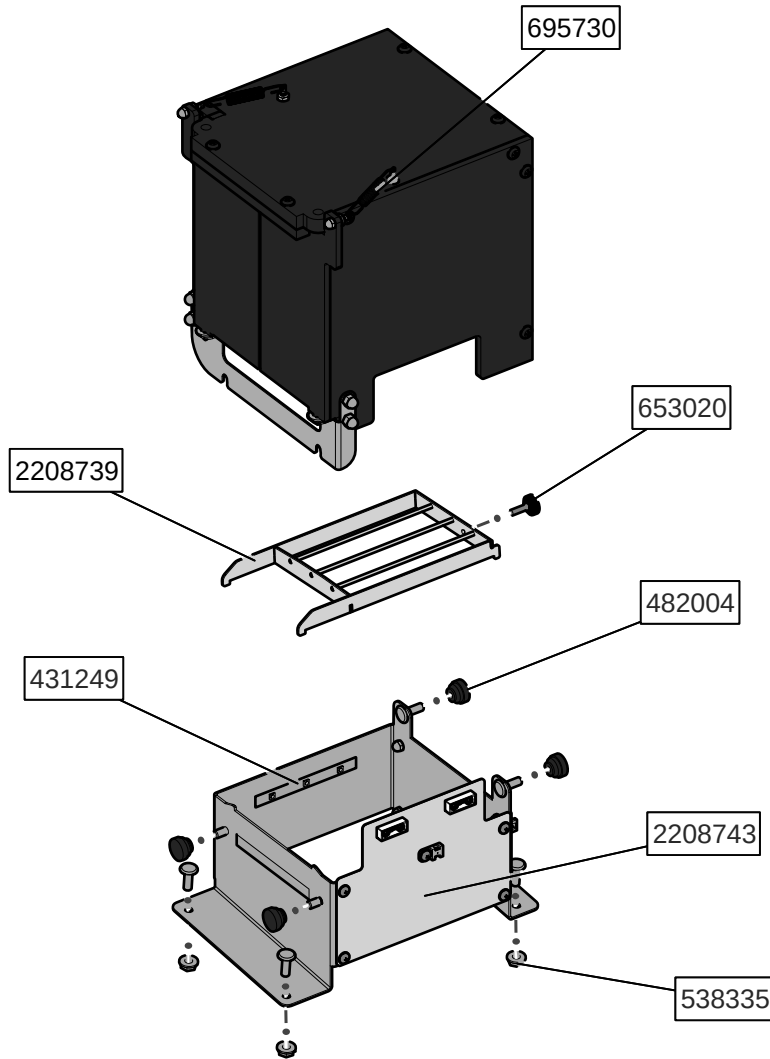
* Items that begin with a star are suggested stock.
Refer to the Suggested Stock List for stock quantities.

Auger, Front Door, & Hopper Parts



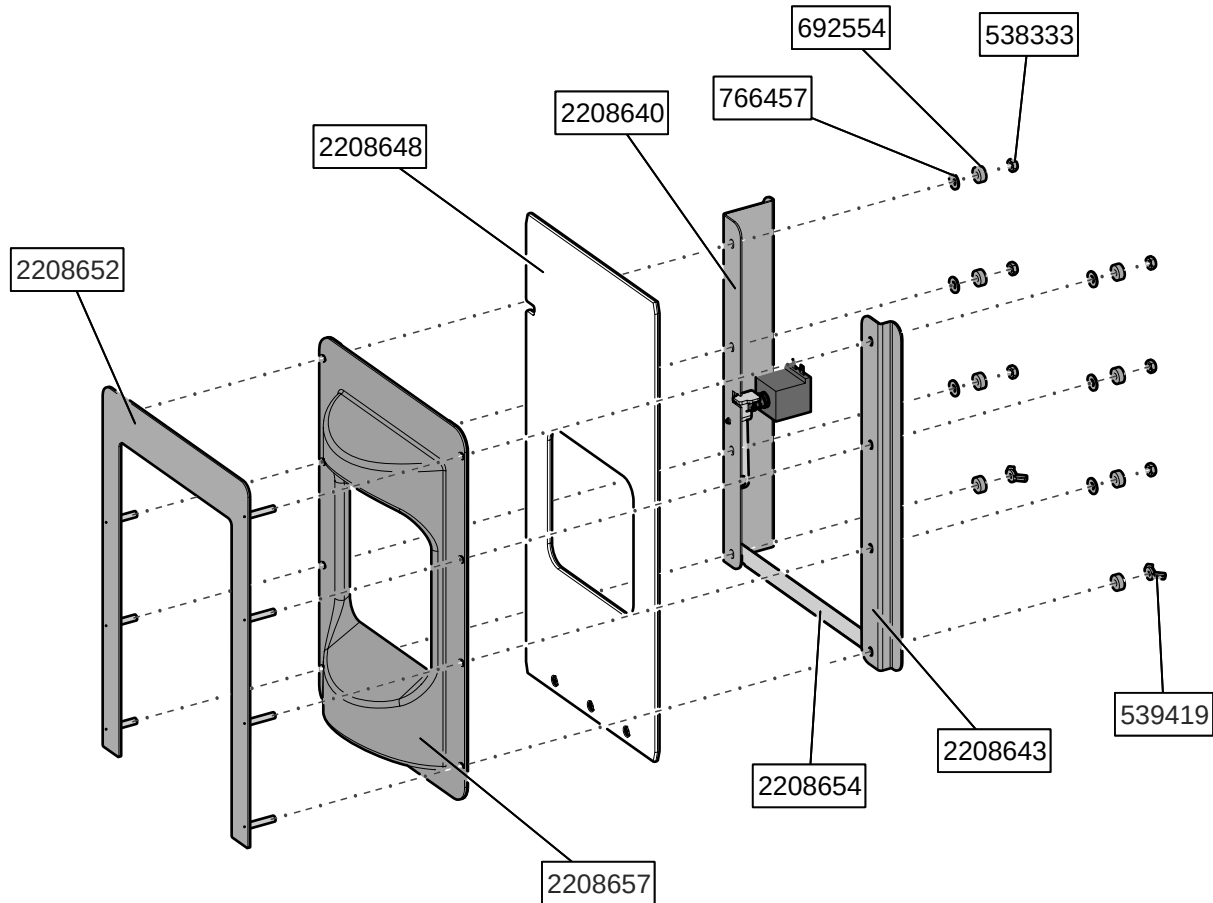
Part Number	Description	Quantity
149003	Bushing - Front Auger Support	2
381804	Auger Flight	8
482004	Knob - Spigot Pin	3
482019	Knob - Front Door (Black)	4
570309	Pin - Spigot to Actuator	3
624598-5	O-Ring - Outside Spigot - Black (5 Pack)	4
624614-5	O-Ring - Top & Bottom Center Spigot - Black (5 Pack)	2
624664-5	O-Ring - Middle Center Spigot - Black (5 Pack)	1
624678-5	O-Ring - Rear Seal - Black (5 Pack)	2
625133	O-Ring - Front Door - Red	2
666786	Seal - Rear Auger - Black	2
694255	Spring - Auger Flight	8
2177428	Door w/Pins	1
2204095	Spigot Body - Outer	2
2204096	Spigot Body - Center	1
2204806	Carburetor Assembly - Adjustable	2
2205440	Support - Front Auger	2
2206566	Cover - Hopper Right Side (w/Compartments)	1
2206567	Cover - Hopper Left Side (w/Compartments)	1
4157968	Auger Shaft	2

Delivery Chamber



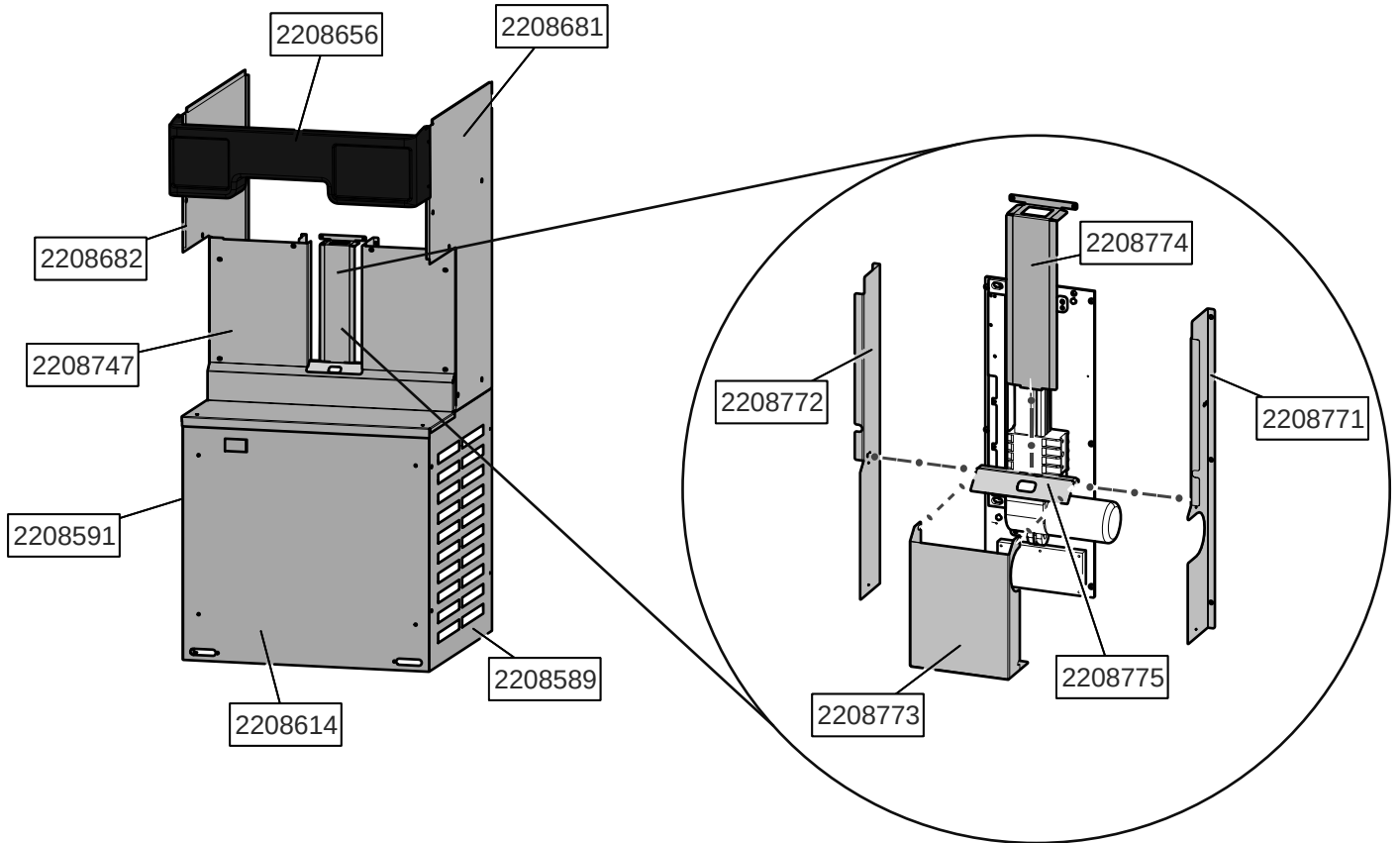
Part Number	Description	Quantity
431249	LED Assembly	2
482004	Knob - Delivery Bridge Cover	4
538335	Nut - Delivery Chamber Bracket	4
653020	Screw - Thumb (Delivery Bridge)	1
695730	Spring - Delivery Chamber Door	2
2208739	Delivery Bridge	1
2208743	Sensor Assembly - Cup-In-Place	1

Sliding Door Assembly



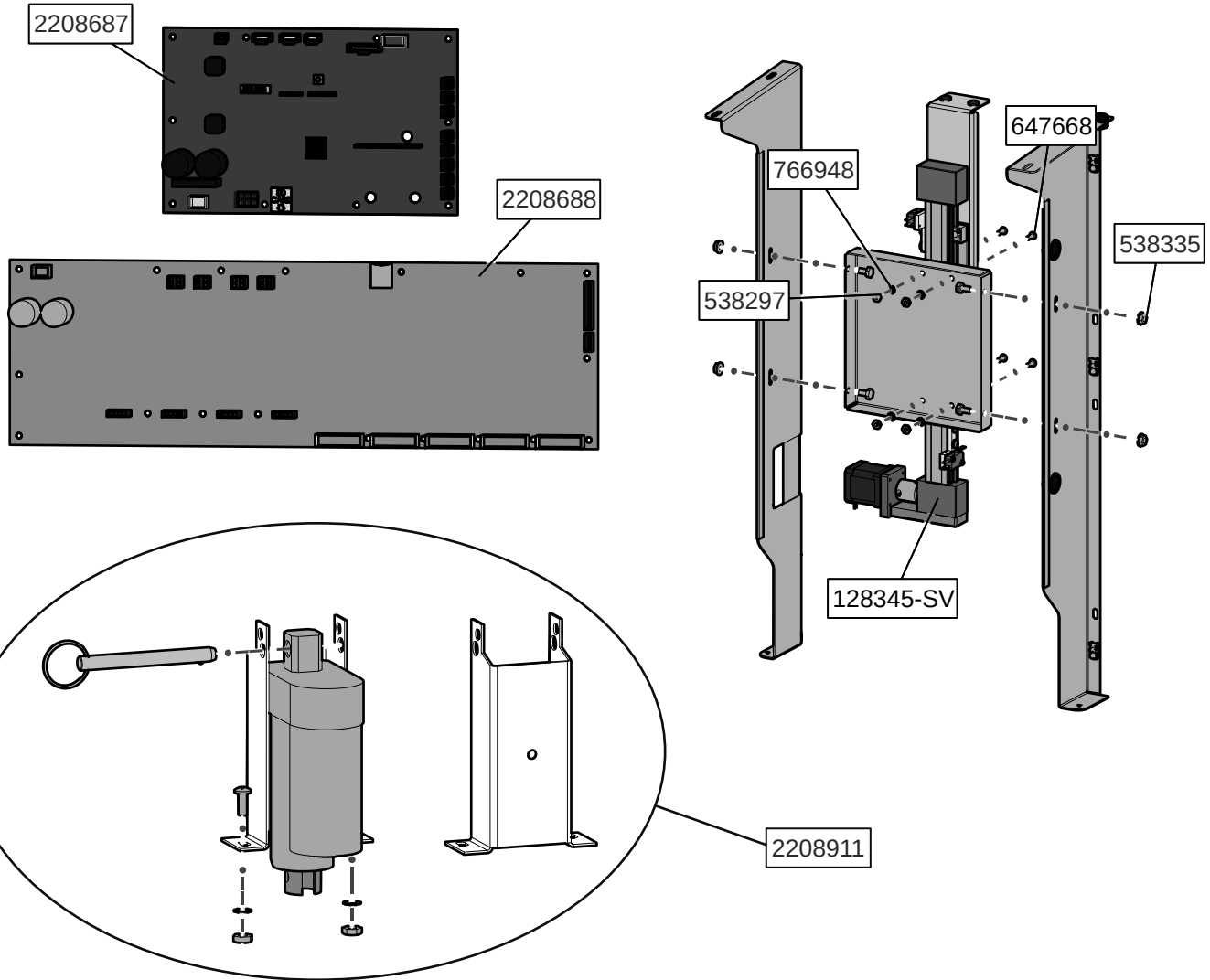
Part Number	Description	Quantity
538333	Nut - Sliding Door Assembly	6
539419	Wing Nut - Sliding Door Stop	2
692554	Spacer - Sliding Door Assembly	8
766457	Washer - Sliding Door Assembly	6
2208640	Sliding Door Brace Assembly - L.H. Side	1
2208643	Sliding Door Brace - R.H. Side	1
2208648	Door Assembly - Sliding (Clear)	1
2208652	Bezel - Sliding Door	1
2208654	Sliding Door Stop	1
2208657	Panel - Delivery Door (Plastic)	1

Panels



Part Number	Description	Quantity
645817	Screw	8
647587	Screw	8
647653	Screw - Middle Front Panel	8
647899	Screw - All Side Panels	18
648157	Screw - Molded Upper Panel	4
649114	Screw - Lower Front Panel	6
2208589	Panel - Lower R.H. Side	1
2208591	Panel - Lower L.H. Side	1
2208614	Panel - Lower Front	1
2208656	Shroud - Molded Upper Front	1
2208681	Panel - Upper R.H. Side	1
2208682	Panel - Upper L.H. Side	1
2208747	Panel - Middle Front	1
2208774	Cover - Robot (Center)	1
2208771	Cover - Robot (R.H. Side)	1
2208772	Cover - Robot (L.H. Side)	1
2208773	Cover - Robot (Lower)	1
2208775	Support - Robot Cover	1

Control Boards, Delivery Chamber Pusher Assembly, and Spigot Actuator Kit



Part Number	Description	Quantity
128345-SV	IGUS Pusher Motor Assembly	1
538297	Nut - IGUS Pusher Assembly Mounting	4
538335	Nut - IGUS Pusher Panel Bracket	4
647668	Screw - IGUS Pusher Panel Bracket	4
766948	Washer - IGUS Pusher Panel Bracket	8
2208687	Board - System Control (SCB) (Programmed)	1
2208688	Board - Vending (Programmed)	1
2208911	Spigot Actuator Kit (Actuator, Mounting Brackets, Hardware)	1