



T&S BRASS AND BRONZE WORKS, INC.

2 Saddleback Cove / P.O. Box 1088
Travelers Rest, SC 29690

Model No.

B-0143

Item No.

Travelers Rest, SC: 800-476-4103 • Simi Valley, CA: 800-423-0150 • Fax: 864-834-3518 • www.tsbrass.com

This Space for Architect/Engineer Approval

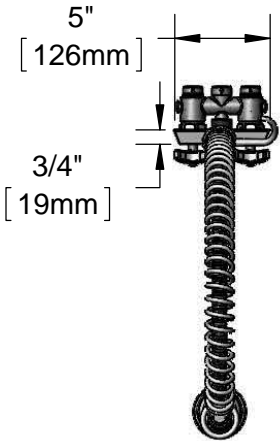
Job Name _____ Date _____

Model Specified _____ Quantity _____

Customer/Wholesaler _____

Contractor _____

Architect/Engineer _____



44" Flexible
Stainless Steel Hose,
Spring & Spray Valve

Items Not Shown
For Clarity

B-0107
1.42 GPM
Spray Valve

Finger Hook

3/8" NPT x 24"

Ø 1 11/16"
[43mm]
Rigid Deck Flange

150A
Tailpiece & Nut
Furnished for
Optional 1/4" NPT
Connection

B-0512
Base Faucet w/ Eterna
Cartridges, 4-Arm
Handles & Color Coded
Indexes

1 11/16"
[44mm]

4 15/16"
[126mm]

9 5/16"
[237mm]

14 1/16"
[357mm]

38 15/16"
[988mm]

1 1/8"
[29mm]
Maximum
Thickness

Mounting Surface

Piping Supplied
By Customer

Rough-In Requirement:
Ø 1" [25mm] Mounting Hole

Product Specifications:
Rigid Pre-Rinse Remote Control Valve & Spray Attachment

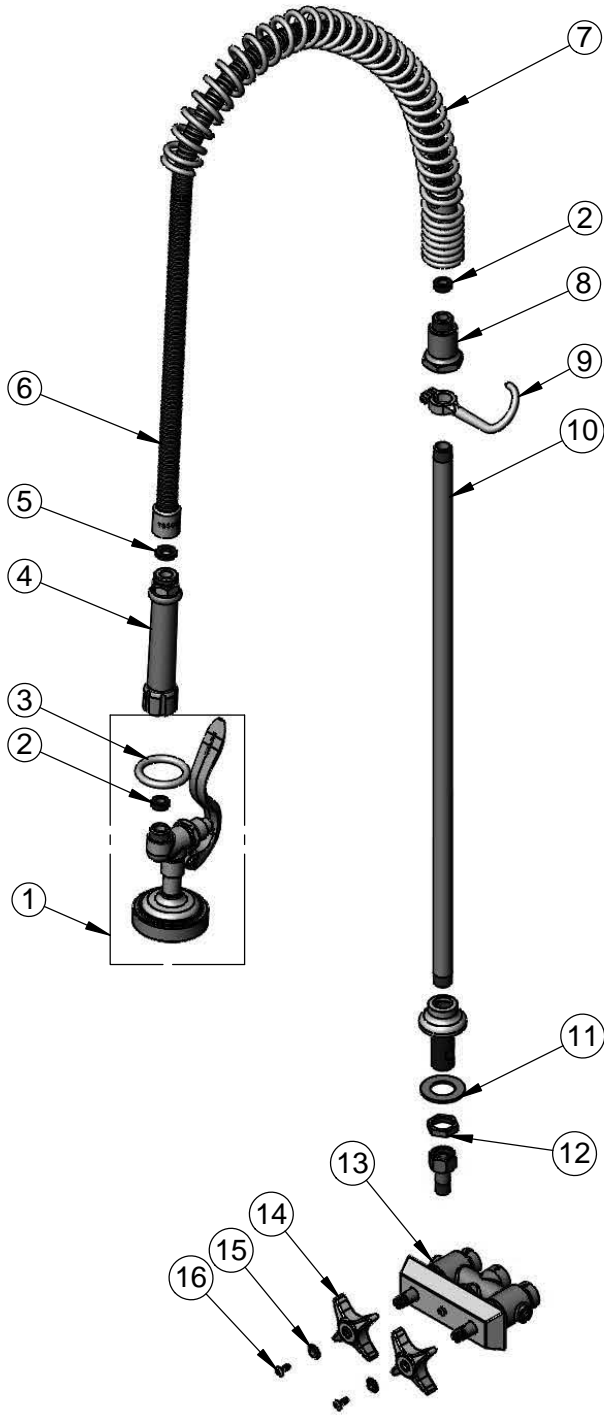
Product Compliance:
ASME A112.18.1 / CSA B125.1
NSF 61 - Section 9
NSF 372 (Low Lead Content)
EPA Act 2005 (PRSV)



T&S BRASS AND BRONZE WORKS, INC.
 2 Saddleback Cove / P.O. Box 1088
 Travelers Rest, SC 29690

Model No.
B-0143
 Item No.

Travelers Rest, SC: 800-476-4103 • Simi Valley, CA: 800-423-0150 • Fax: 864-834-3518 • www.tsbrass.com



ITEM NO.	SALES NO.	DESCRIPTION
1	B-0107	1.42 GPM Spray Valve
2	010476-45	#27 Washer
3	000907-45	Spray Valve Hold Down Ring
4	002987-40	Grey Handle Grip
5	001014-45	Washer, B-0100 Hose Barrel
6	B-0044-H2A	Flexible Stainless Steel Hose, Less Handle
7	000888-45	EasyInstall Overhead Spring
8	000821-40	Spring Body
9	004R	Finger Hook
10	000372-40	3/8" NPT x 24" Riser
11	000999-45	Brass Lock Washer
12	002954-45	Shank Lock Nut
13	B-0512	Concealed Mixing Valve
14	002521-45	4-Arm Handle
15	001661-45	Red Index-HW
16	000922-45	Lever Handle Screw

Product Specifications:
 Rigid Pre-Rinse Remote Control Valve & Spray Attachment

Product Compliance:
 ASME A112.18.1 / CSA B125.1
 NSF 61 - Section 9
 NSF 372 (Low Lead Content)
 EPA Act 2005 (PRSV)