



**T&S BRASS AND BRONZE WORKS, INC.**  
 2 Saddleback Cove / P.O. Box 1088  
 Travelers Rest, SC 29690

Model No.  
**B-0225-CC**

Item No.

Travelers Rest, SC: 800-476-4103 • Simi Valley, CA: 800-423-0150 • Fax: 864-834-3518 • www.tsbrass.com



**ADA Compliant**

This Space for Architect/Engineer Approval

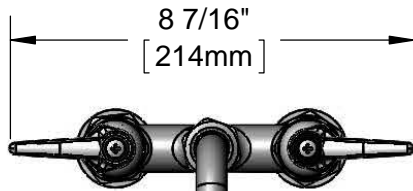
Job Name \_\_\_\_\_ Date \_\_\_\_\_

Model Specified \_\_\_\_\_ Quantity \_\_\_\_\_

Customer/Wholesaler \_\_\_\_\_

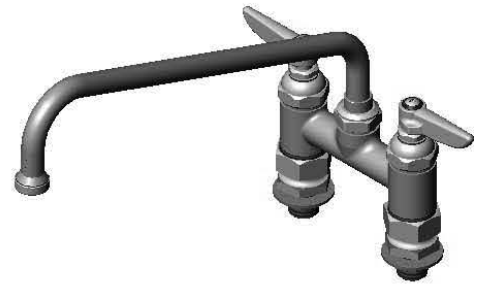
Contractor \_\_\_\_\_

Architect/Engineer \_\_\_\_\_

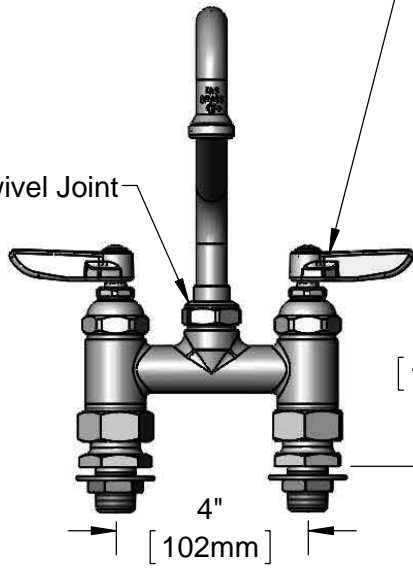


8 7/16"  
[214mm]

Eterna Cartridges &  
Lever Handles w/  
Color Coded Indexes

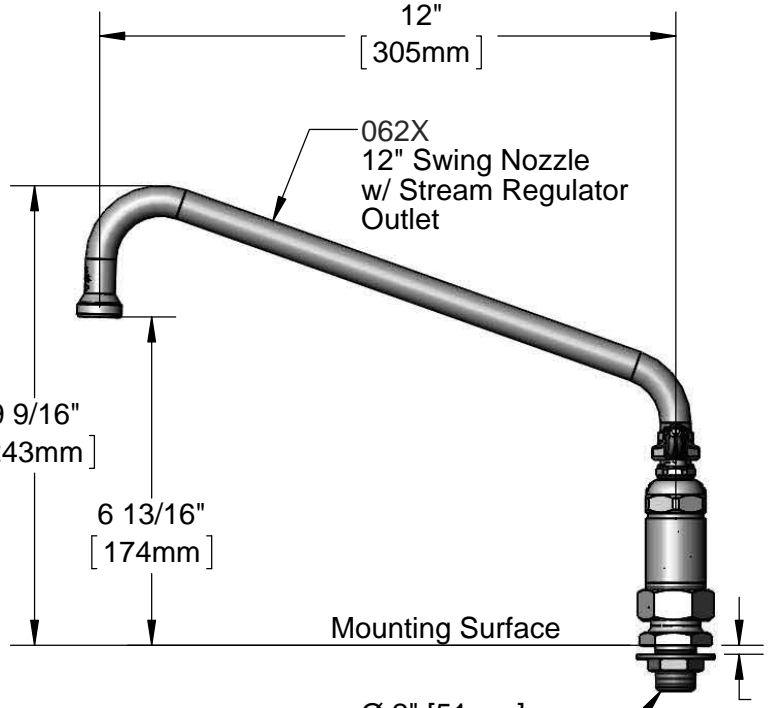


Swivel Joint



4 1/2"  
[115mm]

4"  
[102mm]



12"  
[305mm]

062X  
12" Swing Nozzle  
w/ Stream Regulator  
Outlet

9 9/16"  
[243mm]

6 13/16"  
[174mm]

Mounting Surface

Ø 2" [51mm]  
Flanges w/  
1/2" NPT  
Male Inlets

3/16"  
[5mm]  
Maximum  
Thickness

Rough-In Requirement:  
 (2) Ø 1" [25mm] Mounting Holes

Product Specifications:  
 4" Deck Mount Mixing Faucet, Eterna Cartridges, Lever Handles, 12" Swing  
 Nozzle & 1/2" NPT Male Inlets

Product Compliance:  
 ASME A112.18.1 / CSA B125.1  
 NSF 61 - Section 9  
 NSF 372 (Low Lead Content)  
 ANSI A117.1 (ADA)



# T&S BRASS AND BRONZE WORKS, INC.

2 Saddleback Cove / P.O. Box 1088  
Travelers Rest, SC 29690

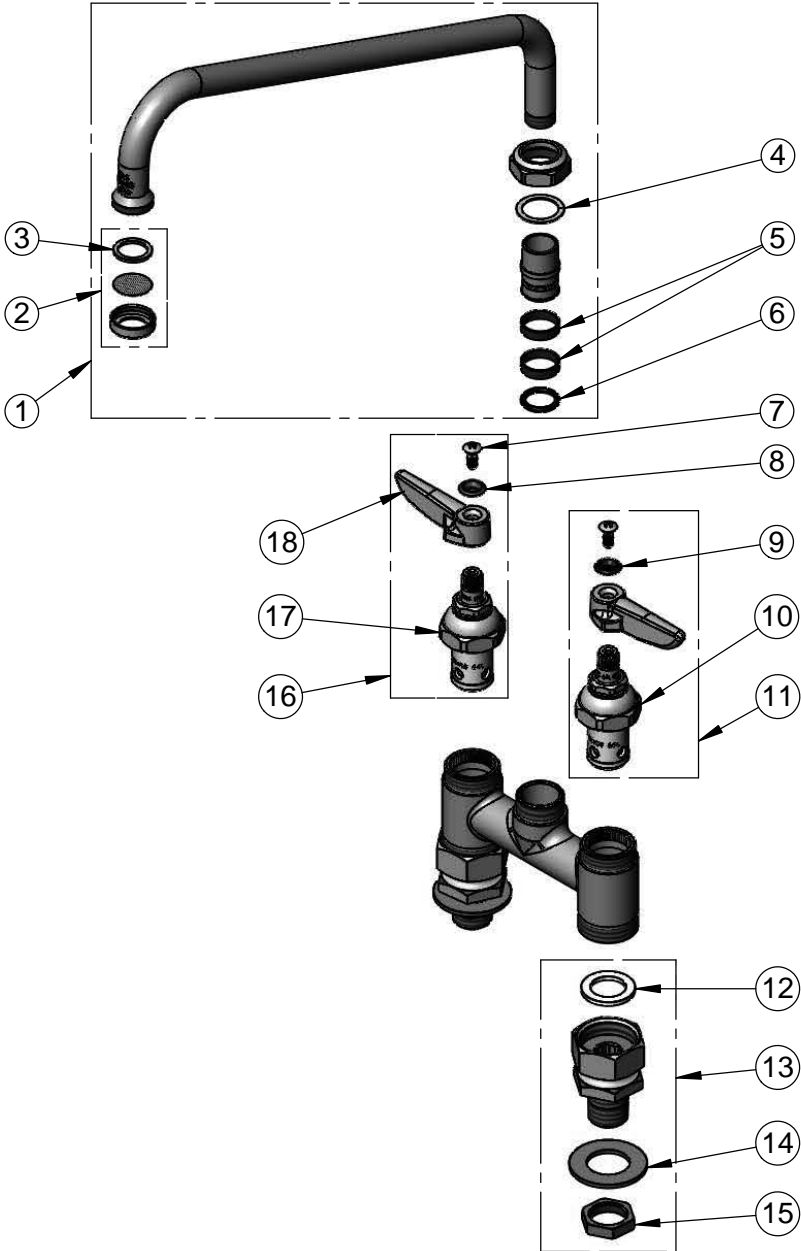
Model No.

**B-0225-CC**

Item No.

Travelers Rest, SC: 800-476-4103 • Simi Valley, CA: 800-423-0150 • Fax: 864-834-3518 • www.tsbrass.com

ITEM NO.	SALES NO.	DESCRIPTION
1	062X	12" Swing Nozzle
2	B-PT	Stream Regulator Outlet
3	001048-45	Nozzle Tip Washer
4	009538-45	Swivel Washer
5	011429-45	Swivel Sleeves (2)
6	001074-45	O-Ring
7	000922-45	Lever Handle Screw
8	001661-45	Red Index-HW
9	001660-45	Blue Index-CW
10	005959-40	Eterna Cartridge, LTC
11	002713-40	Eterna Cartridge, LTC w/ Handle, Index & Screw
12	001019-45	Coupling Nut Washer
13	00CC	1/2" NPT Male Inlet Flange
14	000999-45	Brass Lock Washer
15	002954-45	Shank Lock Nut
16	002714-40	Eterna Cartridge, RTC w/ Handle, Index & Screw
17	005960-40	Eterna Cartridge, RTC
18	001638-45	Lever Handle



**Product Specifications:**

4" Deck Mount Mixing Faucet, Eterna Cartridges, Lever Handles, 12" Swing Nozzle & 1/2" NPT Male Inlets

**Product Compliance:**

ASME A112.18.1 / CSA B125.1  
NSF 61 - Section 9  
NSF 372 (Low Lead Content)  
ANSI A117.1 (ADA)