



T&S BRASS AND BRONZE WORKS, INC.

2 Saddleback Cove / P.O. Box 1088
Travelers Rest, SC 29690

Model No.

B-0230-EE

Item No.

Travelers Rest, SC: 800-476-4103 • Simi Valley, CA: 800-423-0150 • Fax: 864-834-3518 • www.tsbrass.com



ADA Compliant

This Space for Architect/Engineer Approval

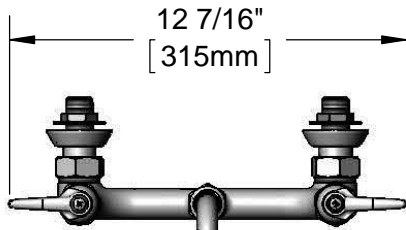
Job Name _____ Date _____

Model Specified _____ Quantity _____

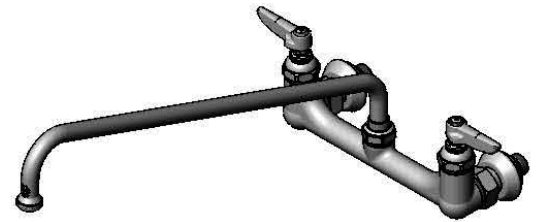
Customer/Wholesaler _____

Contractor _____

Architect/Engineer _____

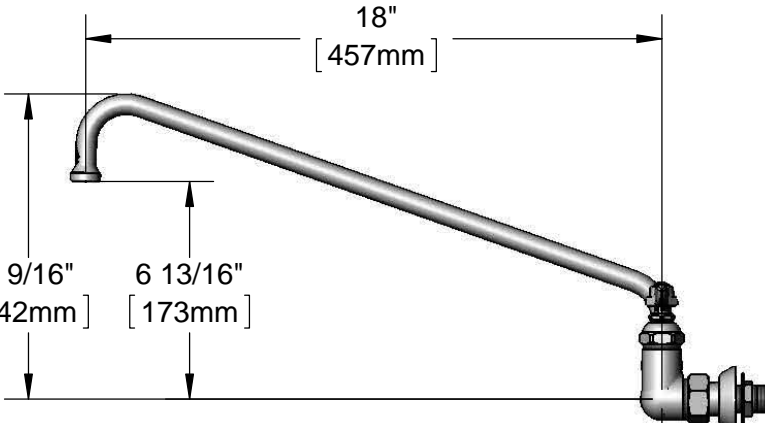


12 7/16"
[315mm]



065X
18" Swing Nozzle w/
Stream Regulator Outlet.
Rigid Conversion Requires
014200-45 Lock Washer
(Included)

Eterna Cartridges &
Lever Handles w/
Color Coded Indexes



18"
[457mm]

9 9/16"
[242mm]

6 13/16"
[173mm]

3 5/8"
[93mm]

8"
[203mm]

Ø2"
[51mm]
Flanges w/
1/2" NPT
Male Inlets

2 5/16"
[59mm]

Mounting
Surface

3/16"
[4mm]
Maximum
Thickness

Rough-In Requirement:
(2) Ø 1" [25mm] Mounting Holes

Product Specifications:
8" Wall Mount Mixing Faucet, Eterna Cartridges, Lever Handles, 18" Swing
Nozzle w/ Stream Regulator Outlet and 1/2" NPT Male Inlets

Product Compliance:
ASME A112.18.1 / CSA B125.1
NSF 61 - Section 9
NSF 372 (Low Lead Content)
ANSI A117.1 (ADA)



T&S BRASS AND BRONZE WORKS, INC.

2 Saddleback Cove / P.O. Box 1088
Travelers Rest, SC 29690

Model No.

B-0230-EE

Item No.

Travelers Rest, SC: 800-476-4103 • Simi Valley, CA: 800-423-0150 • Fax: 864-834-3518 • www.tsbrass.com

ITEM NO.	SALES NO.	DESCRIPTION
1	B-PT	Stream Regulator Outlet
2	001048-45	Nozzle Tip Washer
3	065X	18" Swing Nozzle
4	009538-45	Swivel Washer
5	011429-45	Swivel Sleeves (2)
6	001074-45	O-Ring
7	014200-45	Star Washer, Anti-Rotation
8	002713-40	Eterna Cartridge, LTC w/ Handle, Index & Screw
9	000922-45	Lever Handle Screw
10	001660-45	Blue Index-CW
11	001638-45	Lever Handle
12	000999-45	Brass Lock Washer
13	002954-45	Shank Lock Nut
14	00EE	1/2" NPT Male Inlet w/ Adjustable Flange
15	001019-45	Coupling Nut Washer
16	005959-40	Eterna Cartridge, LTC
17	005960-40	Eterna Cartridge, RTC
18	002714-40	Eterna Cartridge, RTC w/ Handle, Index & Screw
19	001661-45	Red Index-HW

Product Specifications:
8" Wall Mount Mixing Faucet, Eterna Cartridges, Lever Handles, 18" Swing Nozzle w/ Stream Regulator Outlet and 1/2" NPT Male Inlets

Product Compliance:
ASME A112.18.1 / CSA B125.1
NSF 61 - Section 9
NSF 372 (Low Lead Content)
ANSI A117.1 (ADA)