



**T&S BRASS AND BRONZE WORKS, INC.**  
 2 Saddleback Cove / P.O. Box 1088  
 Travelers Rest, SC 29690

Model No.  
**B-0352-04**

Item No.

Travelers Rest, SC: 800-476-4103 • Simi Valley, CA: 800-423-0150 • Fax: 864-834-3518 • www.tsbrass.com



**ADA Compliant**

This Space for Architect/Engineer Approval

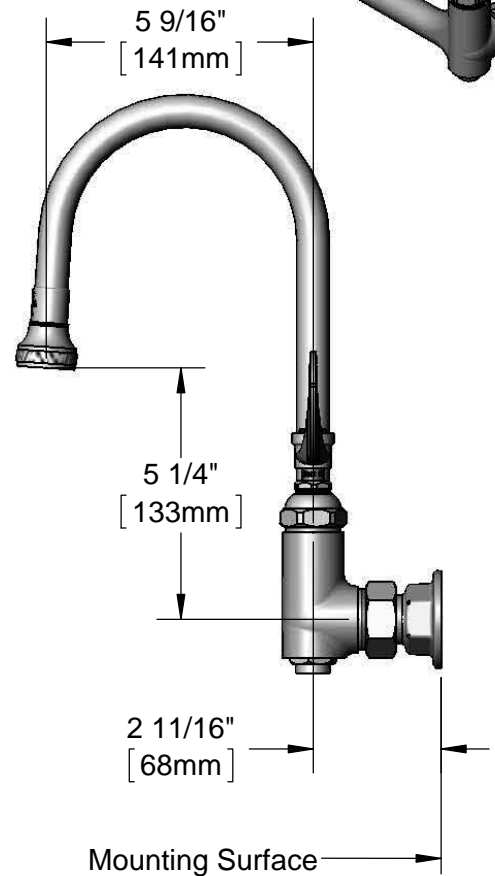
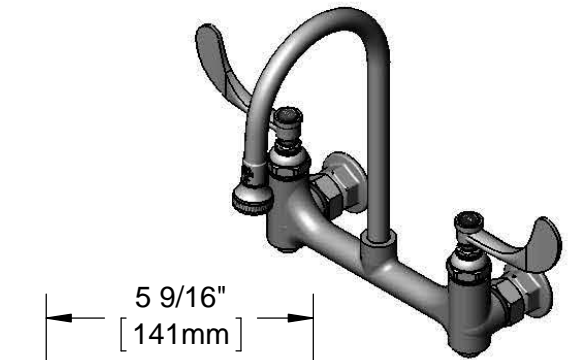
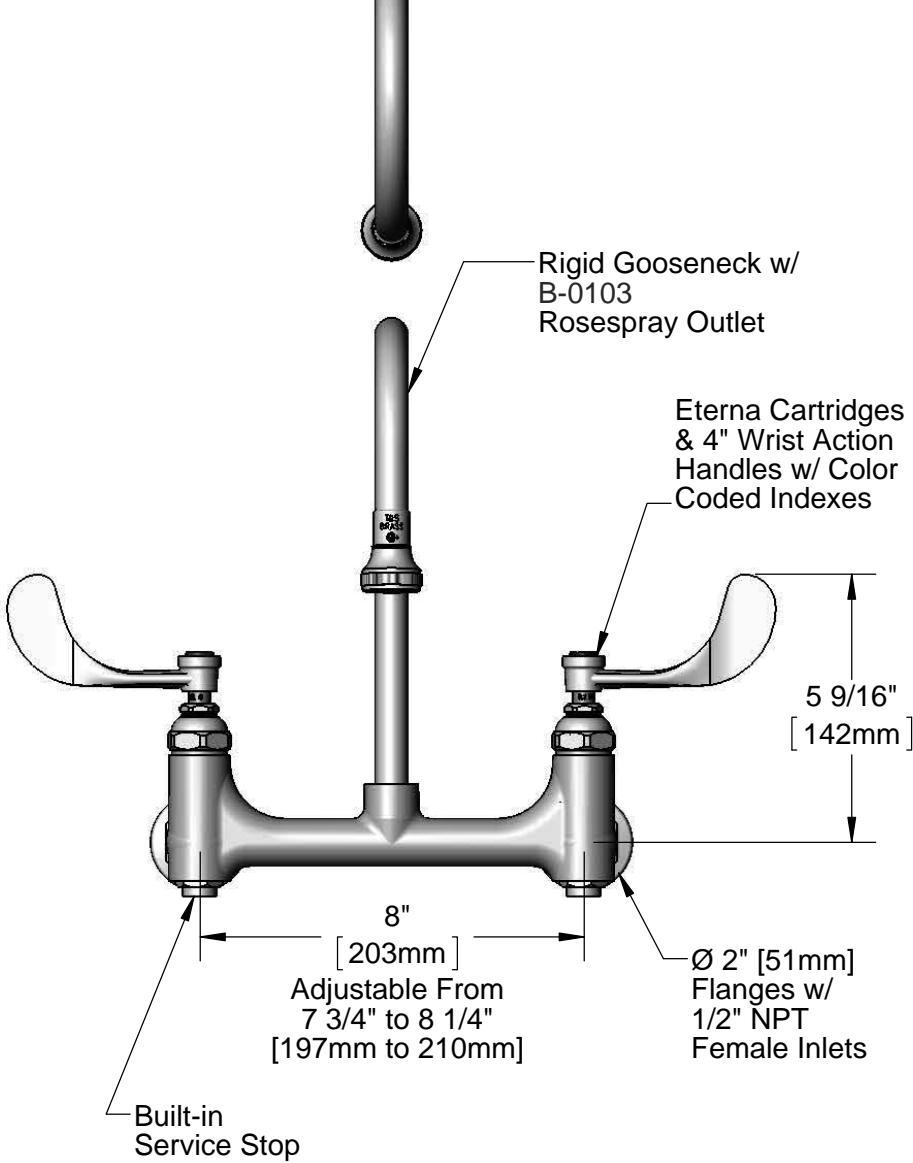
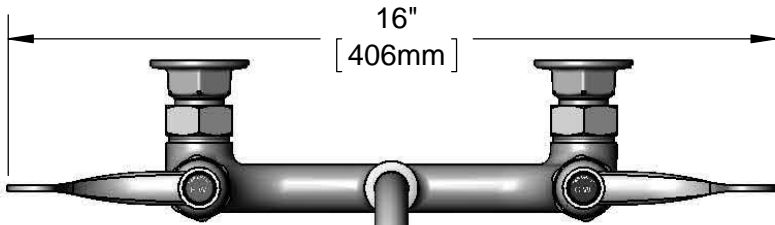
Job Name \_\_\_\_\_ Date \_\_\_\_\_

Model Specified \_\_\_\_\_ Quantity \_\_\_\_\_

Customer/Wholesaler \_\_\_\_\_

Contractor \_\_\_\_\_

Architect/Engineer \_\_\_\_\_



**Product Specifications:**  
 8" Wall Mount Mixing Faucet, Eterna Cartridges, 4" Wrist Action Handles, 5 1/2" Rigid Goosneck w/ Rosespray Outlet & 1/2" NPT Female Inlets

**Product Compliance:**  
 ASME A112.18.1 / CSA B125.1  
 NSF 61 - Section 9  
 NSF 372 (Low Lead Content)  
 ANSI A117.1 (ADA)



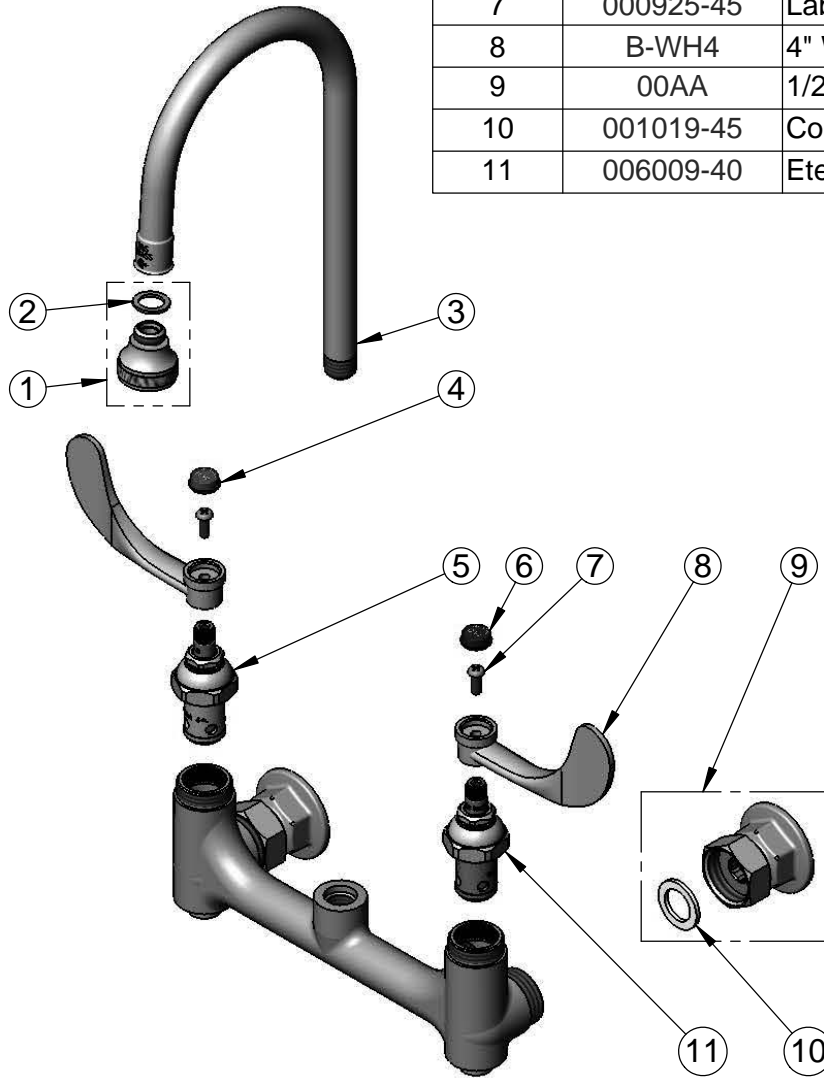
**T&S BRASS AND BRONZE WORKS, INC.**  
 2 Saddleback Cove / P.O. Box 1088  
 Travelers Rest, SC 29690

Model No.  
**B-0352-04**

Item No.

Travelers Rest, SC: 800-476-4103 • Simi Valley, CA: 800-423-0150 • Fax: 864-834-3518 • www.tsbrass.com

| ITEM NO. | SALES NO. | DESCRIPTION                      |
|----------|-----------|----------------------------------|
| 1        | B-0103    | Rosespray Outlet, 3/8" NPSM Male |
| 2        | 001043-45 | Washer                           |
| 3        | 000398-40 | Rigid Gooseneck                  |
| 4        | 001194-45 | Red Index - HW                   |
| 5        | 006010-40 | Eterna Cartridge, RTC (Teflon)   |
| 6        | 001686-45 | Blue Index - CW                  |
| 7        | 000925-45 | Lab Handle Screw </td            |
| 8        | B-WH4     | 4" Wrist Action Handle           |
| 9        | 00AA      | 1/2" NPT Female Eccentric Flange |
| 10       | 001019-45 | Coupling Nut Washer              |
| 11       | 006009-40 | Eterna Cartridge, LTC (Teflon)   |



**Product Specifications:**

8" Wall Mount Mixing Faucet, Eterna Cartridges, 4" Wrist Action Handles, 5 1/2" Rigid Goosneck w/ Rosespray Outlet & 1/2" NPT Female Inlets

**Product Compliance:**

ASME A112.18.1 / CSA B125.1  
 NSF 61 - Section 9  
 NSF 372 (Low Lead Content)  
 ANSI A117.1 (ADA)