



**T&S BRASS AND BRONZE WORKS, INC.**  
 2 Saddleback Cove / P.O. Box 1088  
 Travelers Rest, SC 29690

Model No.  
**B-0409-02**

Item No.

Travelers Rest, SC: 800-476-4103 • Simi Valley, CA: 800-423-0150 • Fax: 864-834-3518 • www.tsbrass.com

This Space for Architect/Engineer Approval

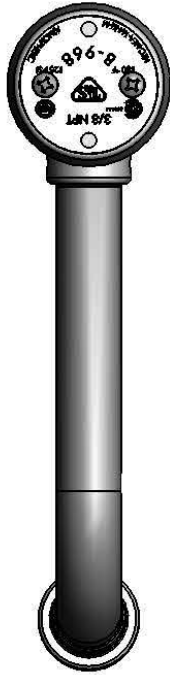
Job Name \_\_\_\_\_ Date \_\_\_\_\_

Model Specified \_\_\_\_\_ Quantity \_\_\_\_\_

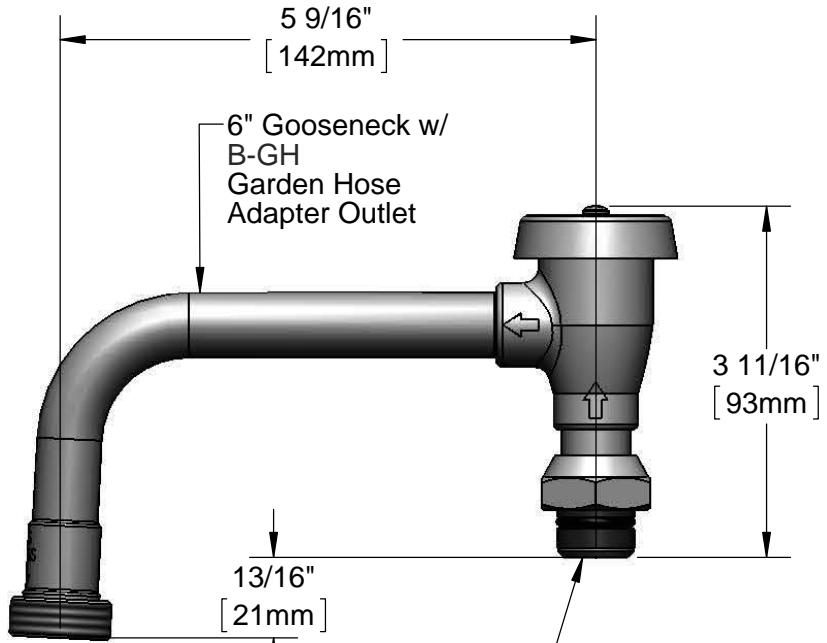
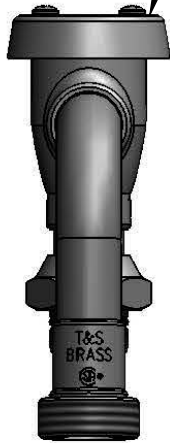
Customer/Wholesaler \_\_\_\_\_

Contractor \_\_\_\_\_

Architect/Engineer \_\_\_\_\_



B-0968  
 3/8" NPT Female Atmospheric  
 Vacuum Breaker Not For  
 Continuous Pressure



Swivel Piece Fits  
 Standard T&S  
 Swivel Bases

Product Specifications:  
 Vacuum Breaker Swing Nozzle, Garden Hose Adapter Outlet and Swivel  
 Base Inlet

Product Compliance:  
 ASME A112.18.1 / CSA B125.1  
 NSF 61 - Section 9  
 NSF 372 (Low Lead Content)  
 ASSE 1001 (VB)



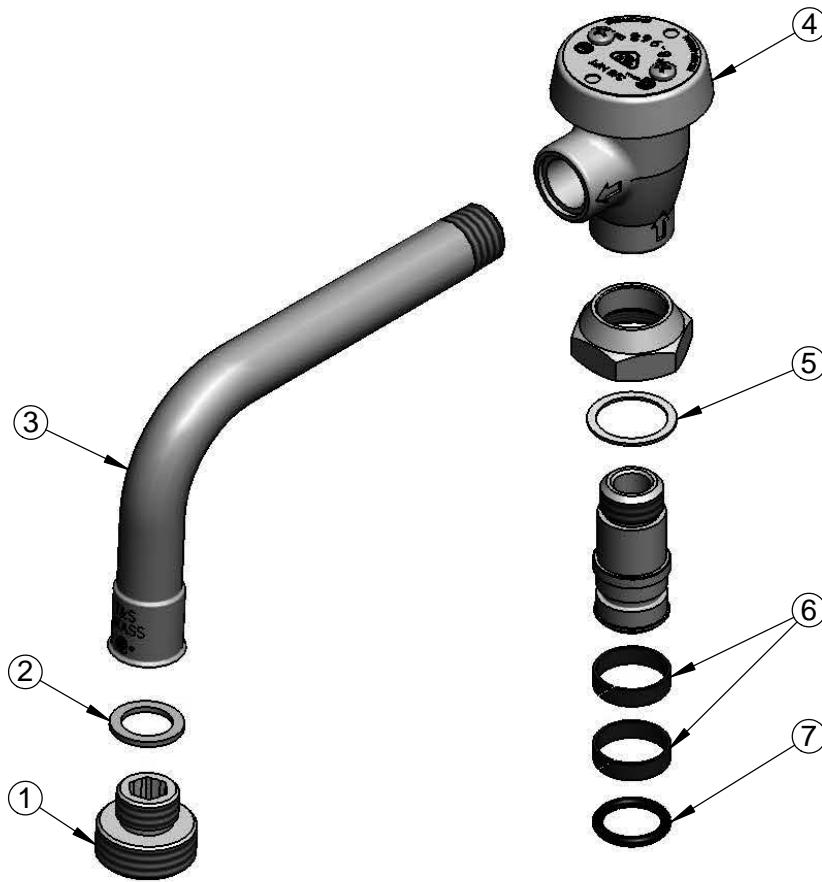
**T&S BRASS AND BRONZE WORKS, INC.**  
 2 Saddleback Cove / P.O. Box 1088  
 Travelers Rest, SC 29690

Model No.  
**B-0409-02**

Item No.

Travelers Rest, SC: 800-476-4103 • Simi Valley, CA: 800-423-0150 • Fax: 864-834-3518 • www.tsbrass.com

ITEM NO.	SALES NO.	DESCRIPTION
1	000560-25	Adapter 3/4" GH X 3/8" NPSM
2	001043-45	Washer
3	000387-40	Nozzle
4	B-0968	3/8" NPT Vacuum Breaker
5	009E	Plastic Washer
6	011429-45	Swivel Sleeves (2)
7	001074-45	O-Ring



Product Specifications:  
 Vacuum Breaker Swing Nozzle, Garden Hose Adapter Outlet and Swivel Base Inlet

Product Compliance:  
 ASME A112.18.1 / CSA B125.1  
 NSF 61 - Section 9  
 NSF 372 (Low Lead Content)  
 ASSE 1001 (VB)