



T&S BRASS AND BRONZE WORKS, INC.
 2 SADDLEBACK COVE / P.O. BOX 1088 / TRAVELERS REST, SC 29690
 PHONE 800-476-4103 FAX 864- 834-3518



Model No.

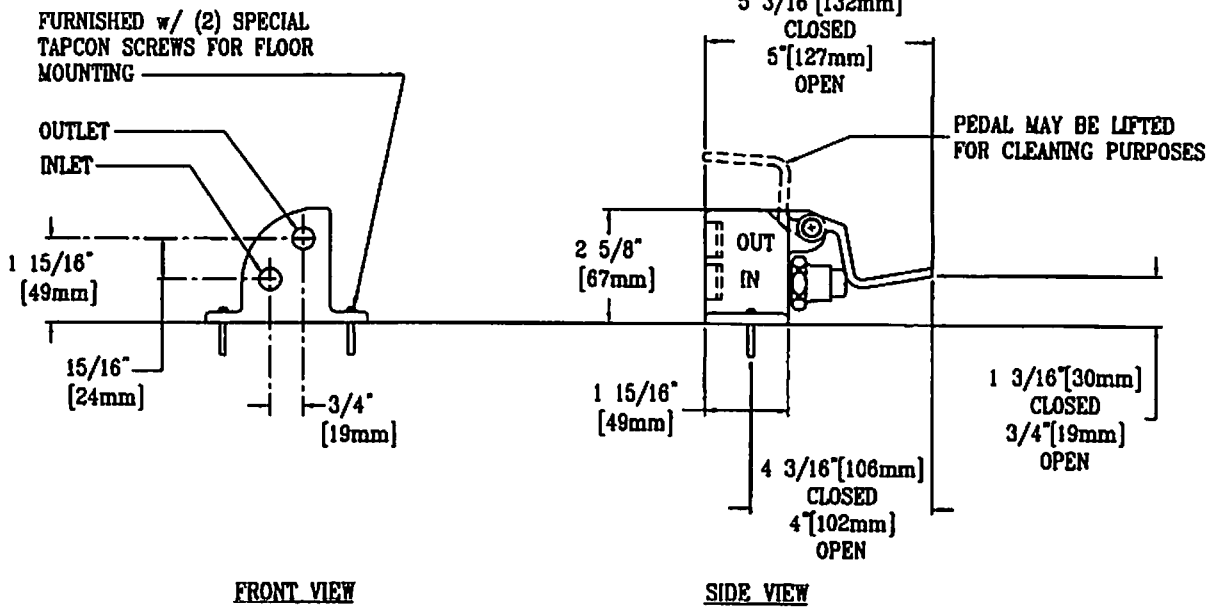
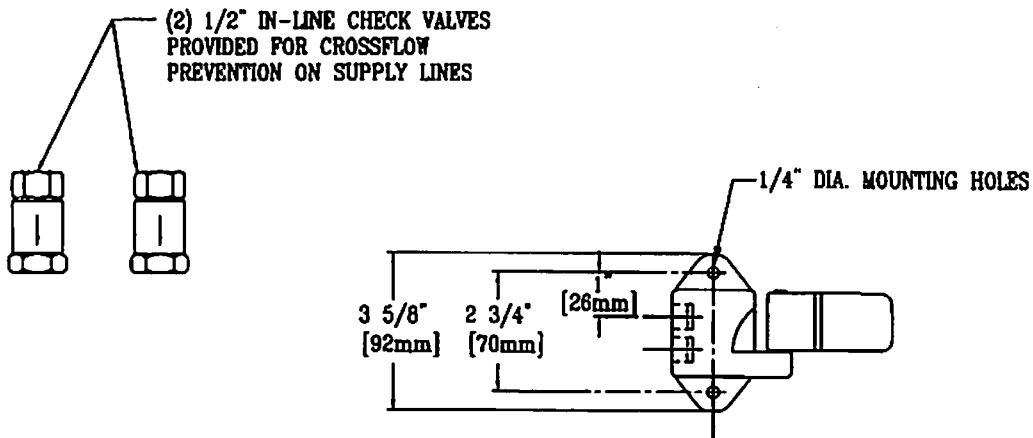
B-0507-02

Item No.:

Job Name:

Architect/Engineer Approval:

Notes:



Product Description:

B-507 PEDAL VALVE w/ FLOOR MOUNTING SCREWS & CHECK VALVES

Drawn:

TME

Checked

JKD

Scale:

1 : 4

Approved

MVW

Date:

2/25/00