

T&S BRASS AND BRONZE WORKS, INC.

2 Saddleback Cove / P.O. Box 1088
Travelers Rest, SC 29690

Model No.

B-0529-01

Item No.

Travelers Rest, SC: 800-476-4103 • Simi Valley, CA: 800-423-0150 • Fax: 864-834-3518 • www.tsbrass.com

This Space for Architect/Engineer Approval

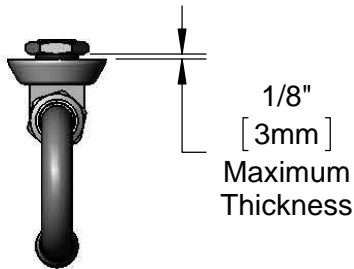
Job Name _____ Date _____

Model Specified _____ Quantity _____

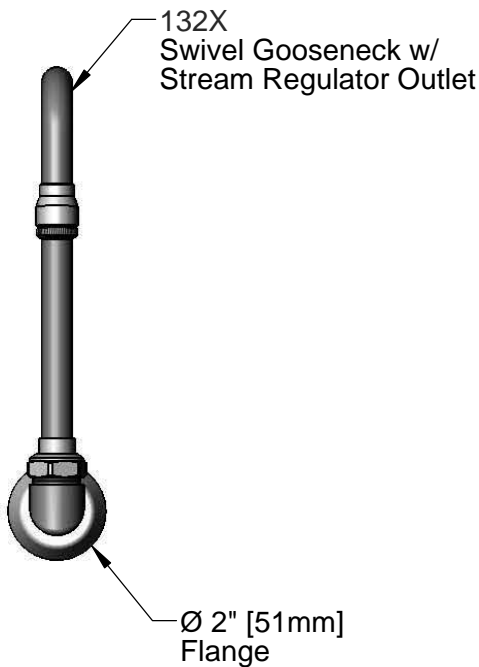
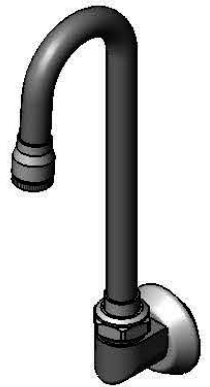
Customer/Wholesaler _____

Contractor _____

Architect/Engineer _____

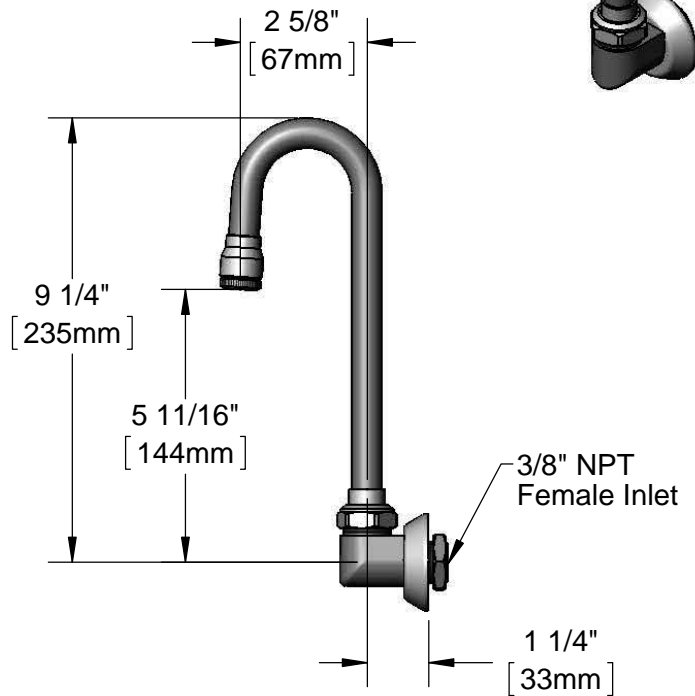


1/8"
[3mm]
Maximum
Thickness



132X
Swivel Gooseneck w/
Stream Regulator Outlet

Ø 2" [51mm]
Flange



Rough-In Requirement:
Ø 1" [25mm] Mounting Hole

Product Specifications:

Wall Mount Dummy Swivel Gooseneck, Stream Regulator Outlet
& 3/8" NPT Female Inlet

Product Compliance:

ASME A112.18.1 / CSA B125.1
NSF 61 - Section 9
NSF 372 (Low Lead Content)



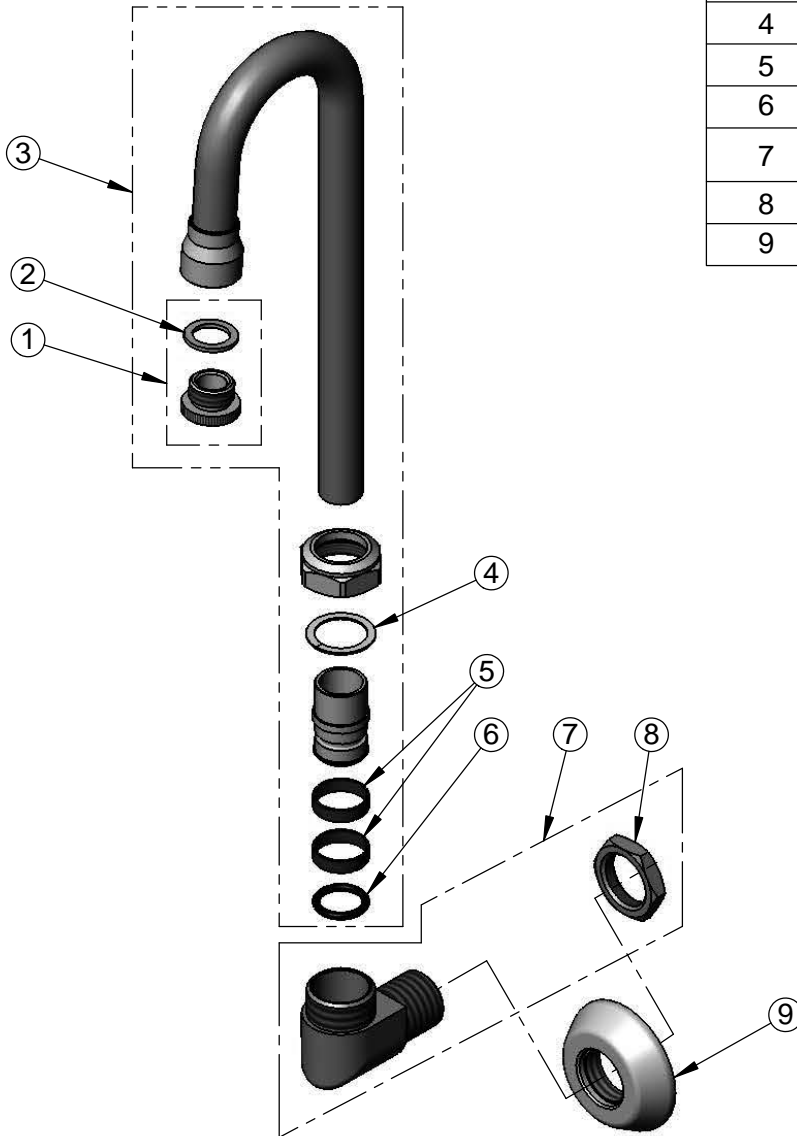
T&S BRASS AND BRONZE WORKS, INC.
 2 Saddleback Cove / P.O. Box 1088
 Travelers Rest, SC 29690

Model No.
B-0529-01

Item No.

Travelers Rest, SC: 800-476-4103 • Simi Valley, CA: 800-423-0150 • Fax: 864-834-3518 • www.tsbrass.com

| ITEM NO. | SALES NO. | DESCRIPTION |
|----------|-----------|----------------------------------|
| 1 | B-LT | Stream Regulator Outlet |
| 2 | 001043-45 | Washer |
| 3 | 132X | 2 5/8" Swivel Gooseneck |
| 4 | 009538-45 | Swivel Washer |
| 5 | 011429-45 | Swivel Sleeves (2) |
| 6 | 001074-45 | O-Ring |
| 7 | B-1912-01 | Elbow & Shank Nut, Swivel Outlet |
| 8 | 000713-20 | Lock Nut |
| 9 | 000023-40 | Adjustable Wall Flange |



Product Specifications:
 Wall Mount Dummy Swivel Gooseneck, Stream Regulator Outlet
 & 3/8" NPT Female Inlet

Product Compliance:
 ASME A112.18.1 / CSA B125.1
 NSF 61 - Section 9
 NSF 372 (Low Lead Content)