



# T&S BRASS AND BRONZE WORKS, INC.

2 Saddleback Cove / P.O. Box 1088  
Travelers Rest, SC 29690



REG. #A2601  
ISO #9001

Model No.

**B-0660-RGH**

Item No.

Travelers Rest, SC: 800-476-4103 Simi Valley, CA: 800-423-0150 Fax: 864-834-3518 www.tsbrass.com

This Space for Architect/Engineer Approval

Job Name \_\_\_\_\_ Date \_\_\_\_\_

Model Specified \_\_\_\_\_ Quantity \_\_\_\_\_

Customer/Wholesaler \_\_\_\_\_

Contractor \_\_\_\_\_

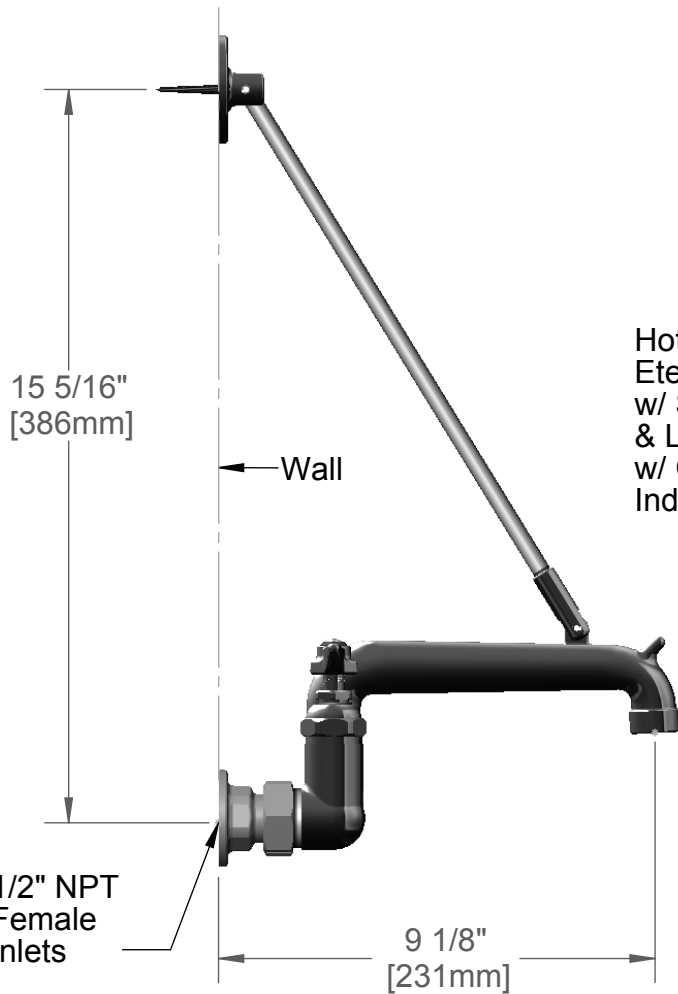
Architect/Engineer \_\_\_\_\_

Support Rod Asm. Furnished w/  
Wall Bracket and Mounting Screws



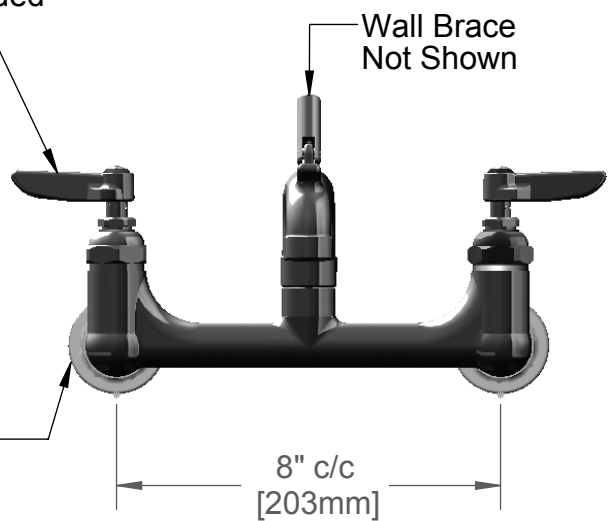
**ADA Compliant**

Hot & Cold  
Eterna Cartridges  
w/ Spring Checks  
& Lever Handles  
w/ Color Coded  
Indexes



Wall Brace  
Not Shown

Ø2" [51mm]  
Flanges



**Product Specifications:**

Service Sink Faucet, Rough Chrome Finish, Lever Handles,  
Wall Brace Assembly, 1/2" NPT Female Inlets & Plain Outlet

Drawn  
DHL

Checked  
GEF

Approved  
JHB

Scale:

1:4

Date:

5/16/08



**T&S BRASS AND BRONZE WORKS, INC.**

2 Saddleback Cove / P.O. Box 1088  
Travelers Rest, SC 29690



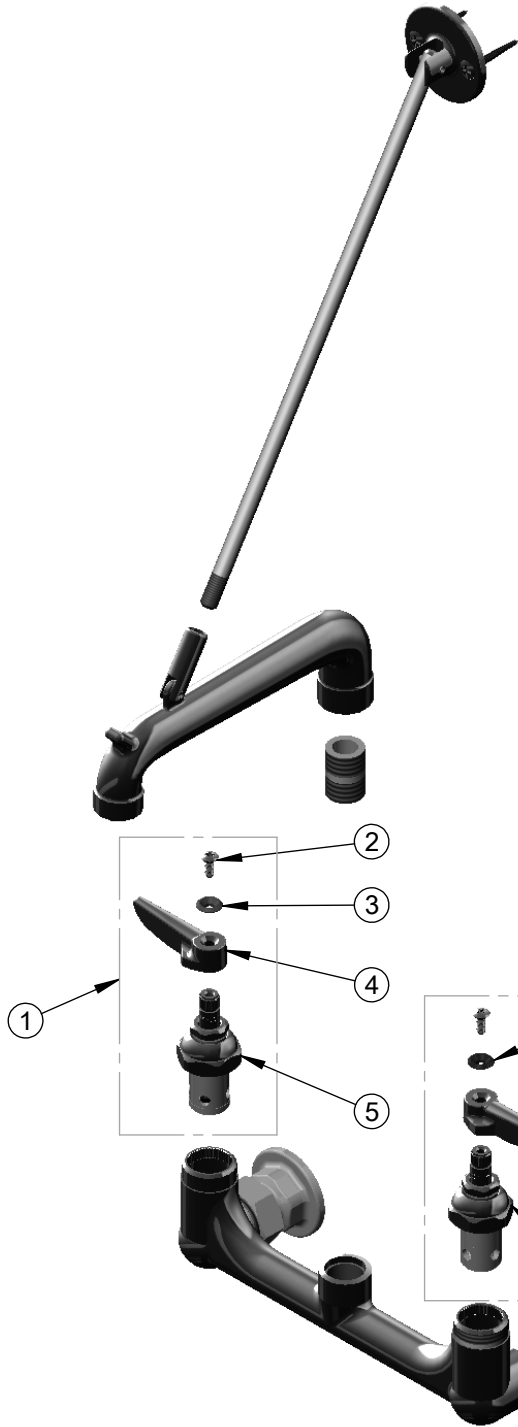
REG. #A2601  
ISO #9001

Model No.

**B-0660-RGH**

Item No.

Travelers Rest, SC: 800-476-4103 Simi Valley, CA: 800-423-0150 Fax: 864-834-3518 www.tsbrass.com



ITEM NO.	SALES NO.	DESCRIPTION
1	002712-40	Hot Eterna Spindle Assembly w/ Spring Check, Handle, Index & Screw
2	000922-45	Lever Handle Screw
3	001661-45	Red Index-HW
4	001638-45	Lever Handle
5	012443-40	Hot Eterna Spindle Assembly w/ Spring Check
6	001660-45	Blue Index-CW
7	002711-40	Cold Eterna Spindle Assembly w/ Spring Check, Handle, Index & Screw
8	012442-40	Cold Eterna Spindle Assembly w/ Spring Check
9	00AA	Flange Assembly, 00AA
10	001019-45	Coupling Nut Washer

Product Specifications:

Service Sink Faucet, Rough Chrome Finish, Lever Handles, Wall Brace Assembly, 1/2" NPT Female Inlets & Plain Outlet

Drawn DHL	Checked GEF	Approved JHB
Scale: 1:4		Date: 5/16/08