



T&S BRASS AND BRONZE WORKS, INC.
 2 Saddleback Cove / P.O. Box 1088
 Travelers Rest, SC 29690

Model No.
B-0691

Item No.

Travelers Rest, SC: 800-476-4103 • Simi Valley, CA: 800-423-0150 • Fax: 864-834-3518 • www.tsbrass.com

This Space for Architect/Engineer Approval

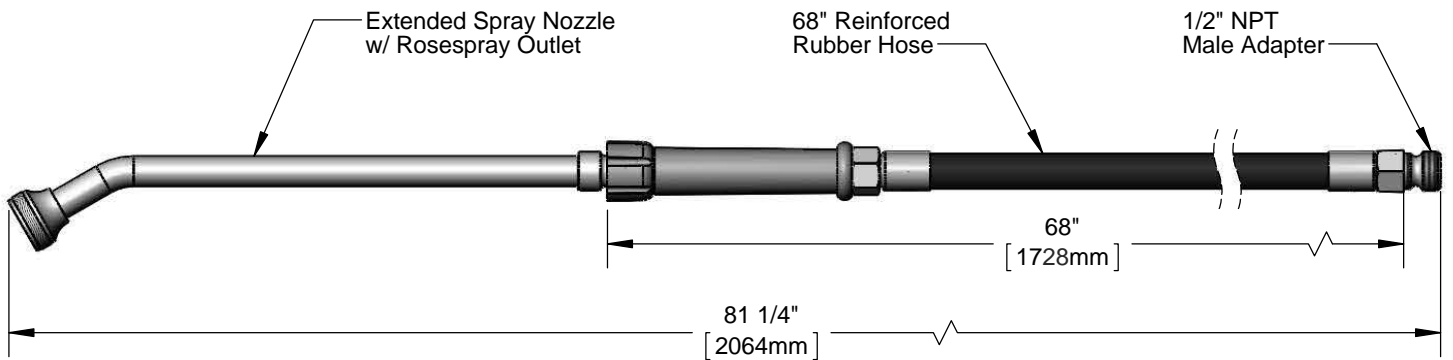
Job Name _____ Date _____

Model Specified _____ Quantity _____

Customer/Wholesaler _____

Contractor _____

Architect/Engineer _____



Product Specifications:
 Bedpan Washer w/ Extended Spray Outlet, 68" Reinforced PVC Hose
 & 1/2" NPT Adapter

Product Compliance:
 ASME A112.18.1 / CSA B125.1
 NSF 61 Exempt (Non-Potable)

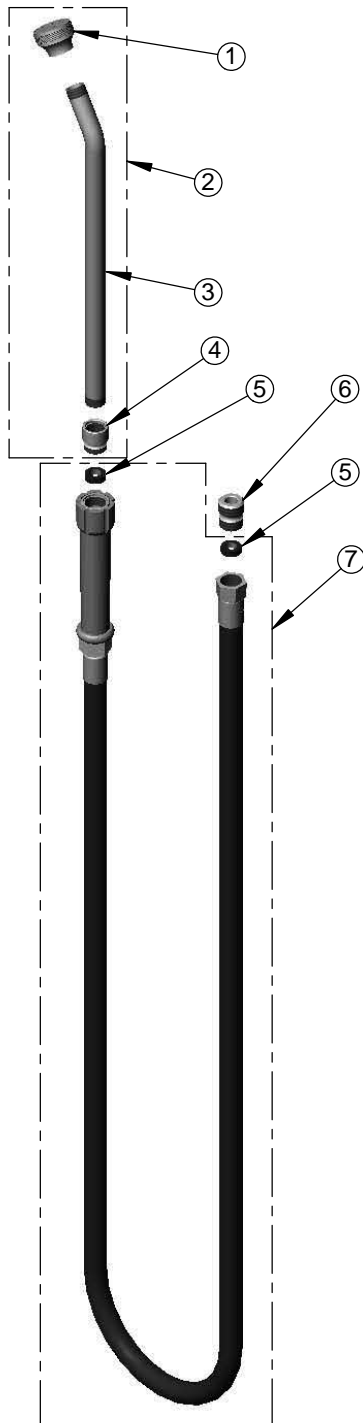


T&S BRASS AND BRONZE WORKS, INC.
 2 Saddleback Cove / P.O. Box 1088
 Travelers Rest, SC 29690

Model No.
B-0691

Item No.

Travelers Rest, SC: 800-476-4103 • Simi Valley, CA: 800-423-0150 • Fax: 864-834-3518 • www.tsbrass.com



ITEM NO.	SALES NO.	DESCRIPTION
1	006E	Rosespray Outlet
2	002861-40	Bedpan Spray Nozzle
3	000326-40	Spray Extension
4	000552-25	Adapter, 5/8-17 Female x 3/4-14 Male
5	010476-45	#27 Washer
6	055A	Adapter, 1/2 NPT Male
7	B-0068-R	68" Reinforced PVC Hose

Product Specifications:
 Bedpan Washer w/ Extended Spray Outlet, 68" Reinforced PVC Hose
 & 1/2" NPT Adapter

Product Compliance:
 ASME A112.18.1 / CSA B125.1
 NSF 61 Exempt (Non-Potable)