



T&S BRASS AND BRONZE WORKS, INC.

2 Saddleback Cove / P.O. Box 1088
Travelers Rest, SC 29690

Model No.

B-2851

Item No.

Travelers Rest, SC: 800-476-4103 • Simi Valley, CA: 800-423-0150 • Fax: 864-834-3518 • www.tsbrass.com



ADA Compliant

This Space for Architect/Engineer Approval

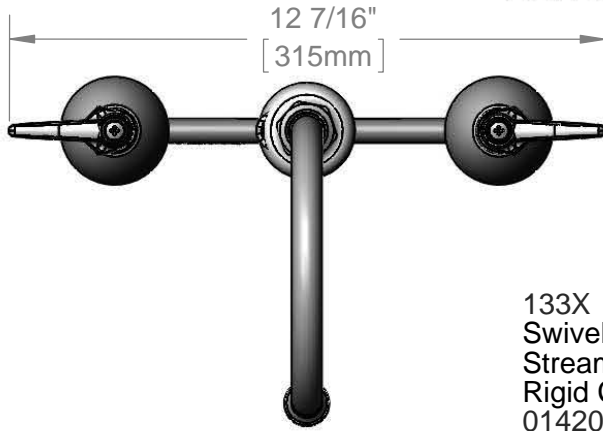
Job Name _____ Date _____

Model Specified _____ Quantity _____

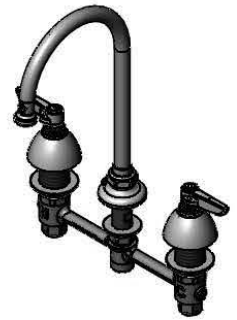
Customer/Wholesaler _____

Contractor _____

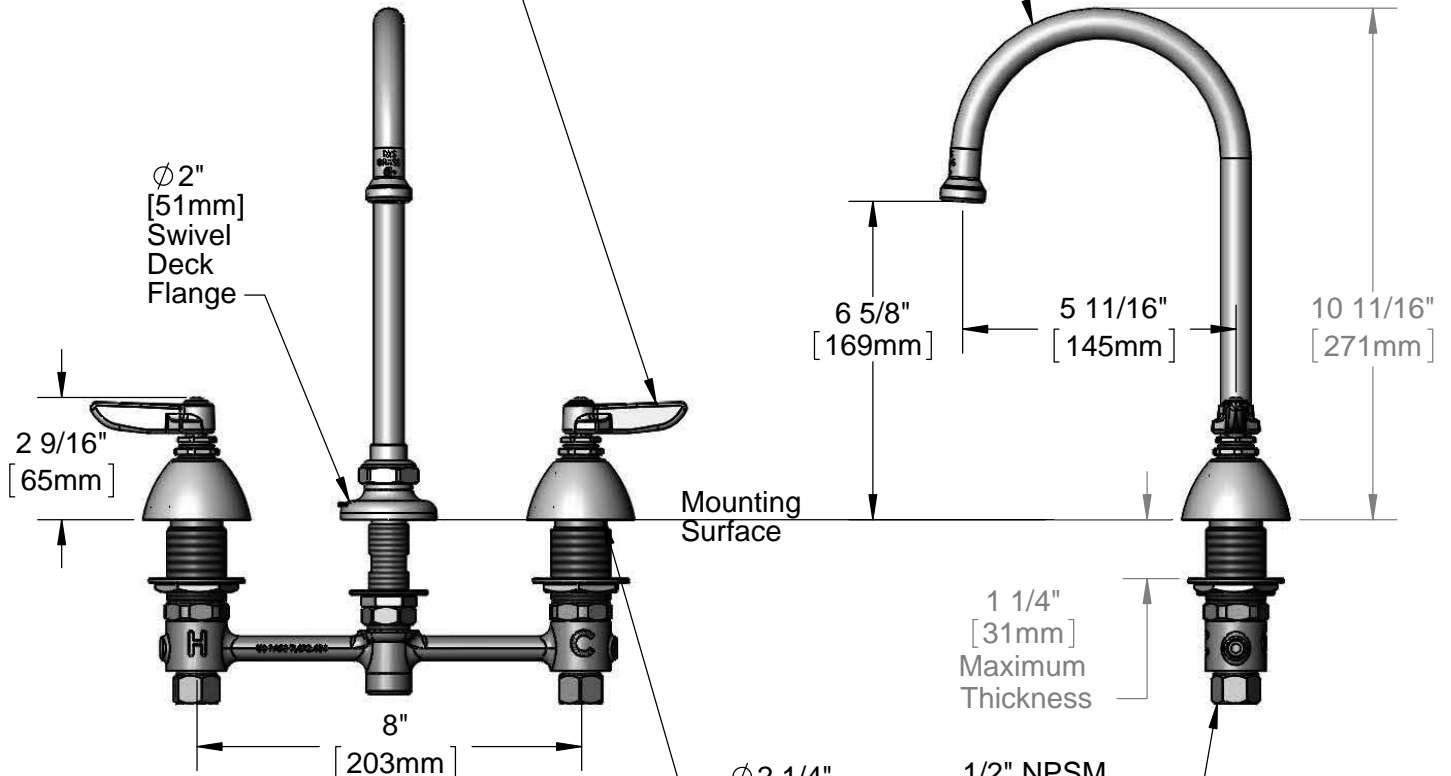
Architect/Engineer _____



133X
Swivel Gooseneck w/
Stream Regulator Outlet.
Rigid Conversion Requires
014200-45 Lock Washer
(Included)



Eterna Cartridges &
Lever Handles w/
Color Coded Indexes



Rough-In Requirement:
Center Shank: ϕ 1" [25mm] Mounting Hole
Hot/Cold Side: ϕ 1 1/2" [38mm] Mounting Holes

Product Specifications:
8" Deck Mount EasyInstall Mixing Faucet, Eterna Cartridges, Lever Handles, Swivel Gooseneck, Stream Regulator Outlet & 1/2" NPSM Male Inlets

Product Compliance:
ASME A112.18.1 / CSA B125.1
NSF 61 - Section 9
NSF 372 (Low Lead Content)
ANSI A117.1 (ADA)



T&S BRASS AND BRONZE WORKS, INC.

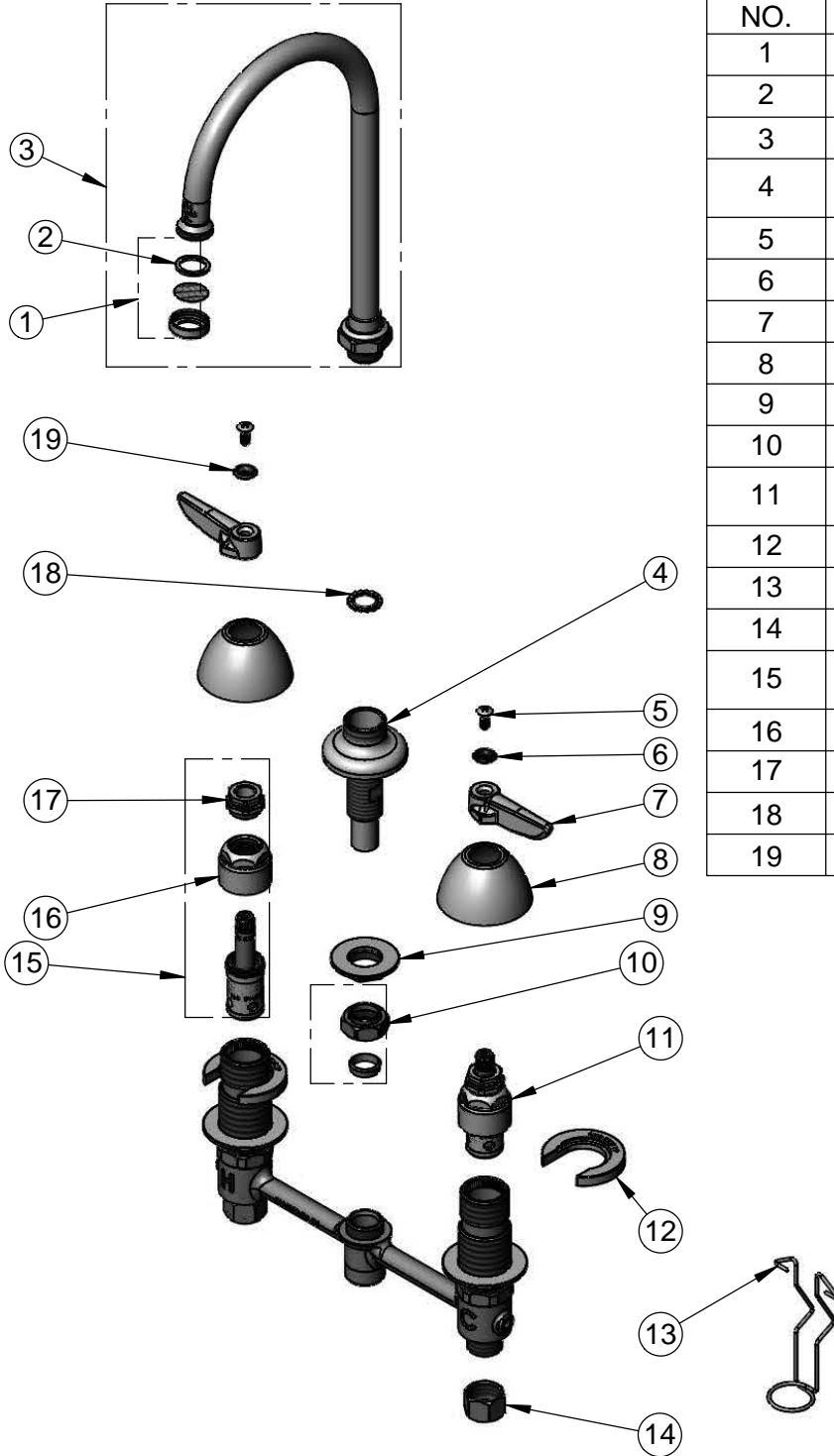
2 Saddleback Cove / P.O. Box 1088
Travelers Rest, SC 29690

Model No.

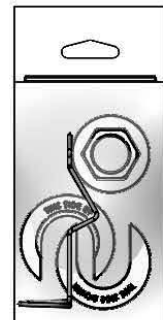
B-2851

Item No.

Travelers Rest, SC: 800-476-4103 • Simi Valley, CA: 800-423-0150 • Fax: 864-834-3518 • www.tsbrass.com



ITEM NO.	SALES NO.	DESCRIPTION
1	B-PT	Stream Regulator Outlet
2	001048-45	Nozzle Tip Washer
3	133X	6" Swivel Gooseneck
4	016754-40	EasyInstall CWS Swivel Center Shank
5	000922-45	Lever Handle Screw
6	001660-45	Blue Index-CW
7	001638-45	Lever Handle
8	001257-40	Bell Escutcheon
9	016742-45	Center Flange Nut
10	016745-45	Compression Nut & Fitting
11	016752-40	EasyInstall CWS LTC Eterna (Teflon)
12	016749-45	Sidebody C-Washer
13	016777-45	CWS Hanger
14	000958-20	Coupling Nut
15	016753-40	EasyInstall CWS RTC Eterna (Teflon)
16	016743-25	CWS Eterna Bonnet
17	009002-25	Packing Nut
18	014200-45	Star Washer, Anti-Rotation
19	001661-45	Red Index-HW



017245-40
Installation Repair Kit
Includes #9, (2)#12, & #13

Product Specifications:

8" Deck Mount EasyInstall Mixing Faucet, Eterna Cartridges, Lever Handles, Swivel Gooseneck, Stream Regulator Outlet & 1/2" NPSM Male Inlets

Product Compliance:

ASME A112.18.1 / CSA B125.1
NSF 61 - Section 9
NSF 372 (Low Lead Content)
ANSI A117.1 (ADA)