



T&S BRASS AND BRONZE WORKS, INC.

2 Saddleback Cove / P.O. Box 1088
Travelers Rest, SC 29690

Model No.

017970-40

Item No.

Travelers Rest, SC: 800-476-4103 • Simi Valley, CA: 800-423-0150 • Fax: 864-834-3518 • www.tsbrass.com

This Space for Architect/Engineer Approval

Job Name _____ Date _____

Model Specified _____ Quantity _____

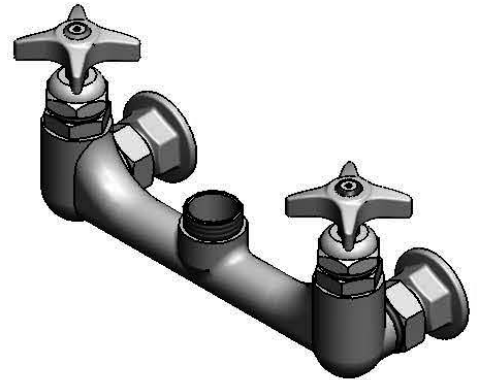
Customer/Wholesaler _____

Contractor _____

Architect/Engineer _____



ADA Compliant

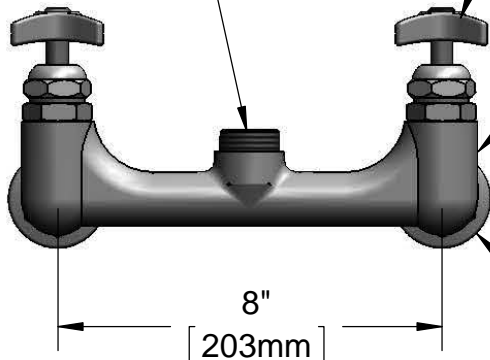


Swivel Outlet Accepts
Big-Flo T&S Swing
Nozzle & Big-Flo
Add-On Faucets

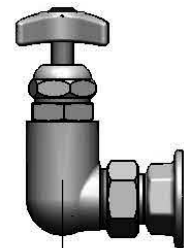
002521-45
4-Arm Handles w/
VR Screws & Color
Coded Indexes

Faucet Body w/
Integral Check Valves

Ø2"
[51mm]
Flanges w/
3/4" NPT
Female Inlets



8"
[203mm]
Adjustable From
7 3/4" to 8 1/4"
[197mm to 210mm]



2 1/2"
[64mm]

Mounting
Surface

Product Specifications:

8" c/c Wall Mount Big-Flo Faucet Assembly, Integral Check Valves,
Vandal Resistant 4-Arm Handles & 00BB Wall Flanges

Drawn

KJG

Checked

JRM

Approved

JHB

Scale:

1:4

Date:

12/19/11



T&S BRASS AND BRONZE WORKS, INC.

2 Saddleback Cove / P.O. Box 1088
Travelers Rest, SC 29690

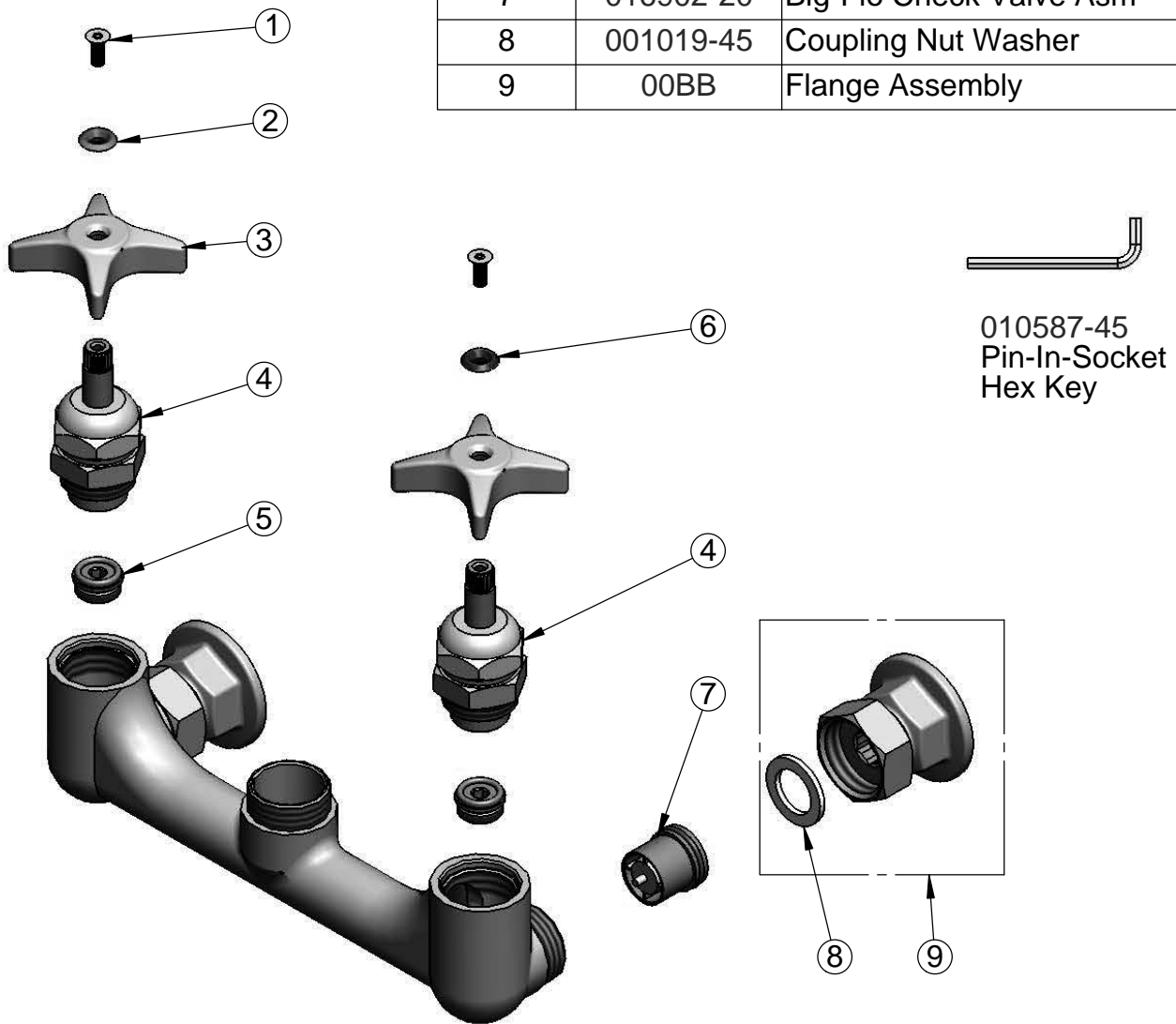
Model No.

017970-40

Item No.

Travelers Rest, SC: 800-476-4103 • Simi Valley, CA: 800-423-0150 • Fax: 864-834-3518 • www.tsbrass.com

ITEM NO.	SALES NO.	DESCRIPTION
1	B-VRS	VR Screws (x2) w/ Hex Key
2	001661-45	Red Index-HW
3	002521-45	4-Arm Handle
4	006482-40	Spindle Asm, B-0290 (RH)
5	000764-20	Seat, B-290 RM
6	001660-45	Blue Index-CW
7	016902-20	Big-Flo Check Valve Asm
8	001019-45	Coupling Nut Washer
9	00BB	Flange Assembly



Product Specifications:

8" c/c Wall Mount Big-Flo Faucet Assembly, Integral Check Valves, Vandal Resistant 4-Arm Handles & 00BB Wall Flanges

Drawn

KJG

Checked

JRM

Approved

JHB

Scale:

NTS

Date:

12/19/11