

This Space for Architect/Engineer Approval

Job Name _____ Date _____
Model Specified _____ Quantity _____
Customer/Wholesaler _____
Contractor _____
Architect/Engineer _____



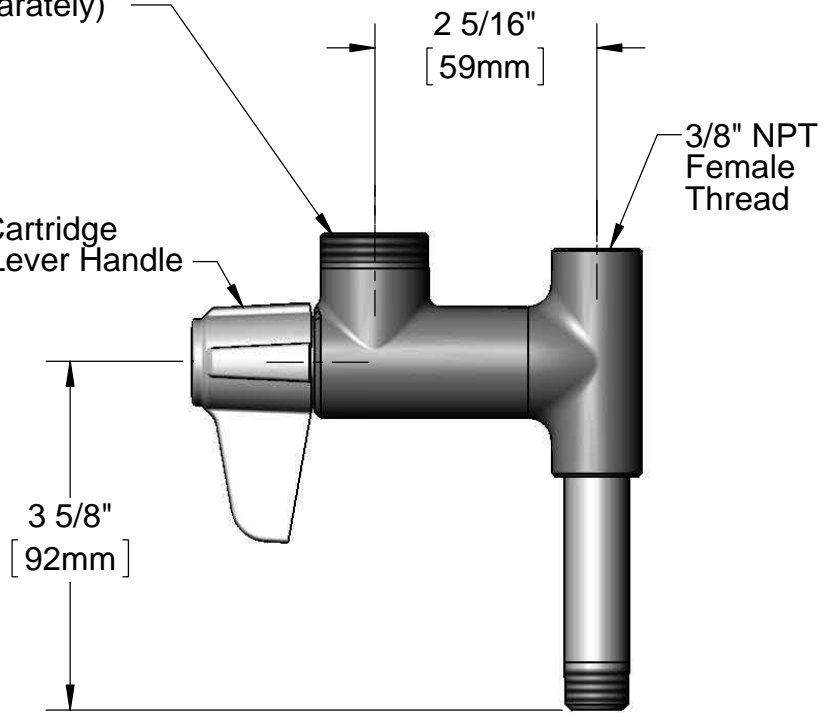
ADA Compliant



Swivel Outlet Accepts
equip Swing Nozzles,
For Rigid Nozzles, use
014200-45 Lock Washer
(Sold Separately)



Cerama Cartridge
w/ equip Lever Handle



Model Number 5AFL00	Date 03/27/12	Scale 1:2	Drawn DHL	Checked DMH	Approved JHB
------------------------	------------------	--------------	--------------	----------------	-----------------

Product Specifications:

equip Add-On Faucet w/ equip Ceramic Cartridge, Lever Handle & Less Nozzle



equip Foodservice Accessories
2 Saddleback Cove, P.O. Box 1088
Travelers Rest, South Carolina 29690
Phone: 800.891.4808 Fax: 800.868.0084

ITEM NO.	SALES NO.	DESCRIPTION
1	013849-45	Lever Handle Screw
2	5-HDL-L	"Equip" Lever Handle
3	013787-45	Equip Ceramic Crtg (RTC)
4	000358-40	Nipple, 3/8" NPT x 3" LG



Model Number 5AFL00	Date 03/27/12	Scale NTS	Drawn DHL	Checked DMH	Approved JHB
------------------------	------------------	--------------	--------------	----------------	-----------------



Product Specifications:
equip Add-On Faucet w/ equip Ceramic Cartridge, Lever Handle & Less Nozzle

equip Foodservice Accessories
2 Saddleback Cove, P.O. Box 1088
Travelers Rest, South Carolina 29690
Phone: 800.891.4808 Fax: 800.868.0084