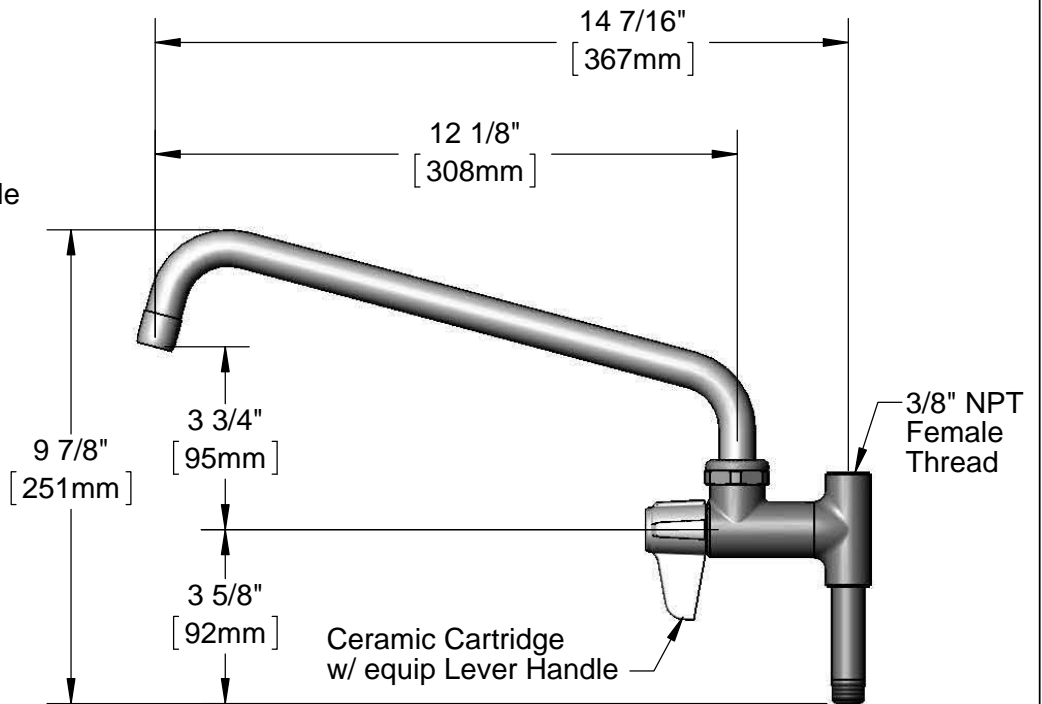
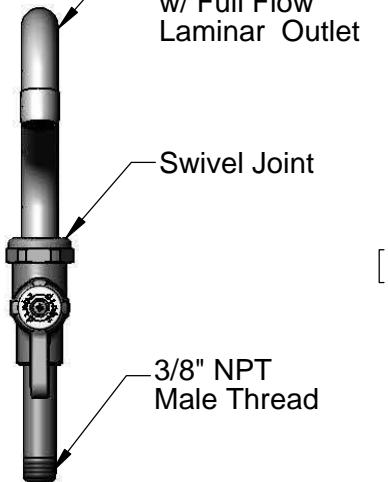


This Space for Architect/Engineer Approval

Job Name _____ Date _____
Model Specified _____ Quantity _____
Customer/Wholesaler _____
Contractor _____
Architect/Engineer _____



ADA Compliant



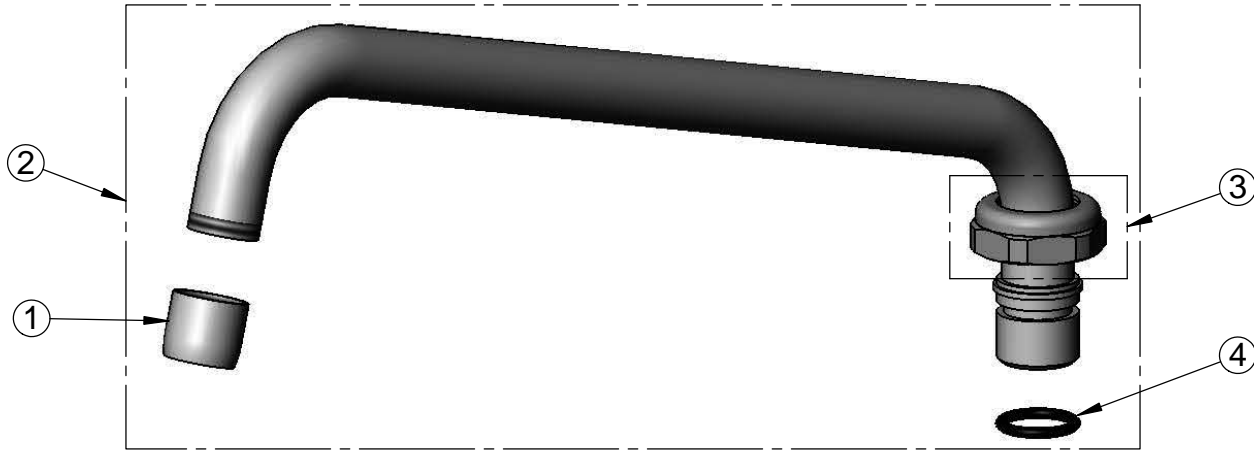
Model Number 5AFL12	Date 03/18/13	Scale 1:4	Drawn DHL	Checked DMH	Approved JHB
------------------------	------------------	--------------	--------------	----------------	-----------------



Product Specifications:
**Equip Add-On Faucet w/ Equip Ceramic Cartridge,
12" Swing Nozzle, & Full Flow Laminar Outlet**

equip Foodservice Accessories
2 Saddleback Cove, P.O. Box 1088
Travelers Rest, South Carolina 29690
Phone: 800.891.4808 Fax: 800.868.0084

ITEM NO.	SALES NO.	DESCRIPTION
1	014250-45	Full Flow Laminar Outlet
2	5SP-12	12" equip Swing Nozzle
3	013839-25	Swivel Nut
4	013848-45	equip Swivel Piece O-Ring
5	000358-40	Nipple, 3/8" NPT x 3"
6	013787-45	equip Ceramic Cartridge, RTC
7	5-HDL-L	equip Lever Handle w/ Color Coded Screws
8	013849-45	Handle Screw



Model Number 5AFL12	Date 03/18/13	Scale NTS	Drawn DHL	Checked DMH	Approved JHB
------------------------	------------------	--------------	--------------	----------------	-----------------

Product Specifications:

Equip Add-On Faucet w/ Equip Ceramic Cartridge,
12" Swing Nozzle, & Full Flow Laminar Outlet



equip Foodservice Accessories
2 Saddleback Cove, P.O. Box 1088
Travelers Rest, South Carolina 29690
Phone: 800.891.4808 Fax: 800.868.0084