



**ADA Compliant**

*This Space for Architect/Engineer Approval*

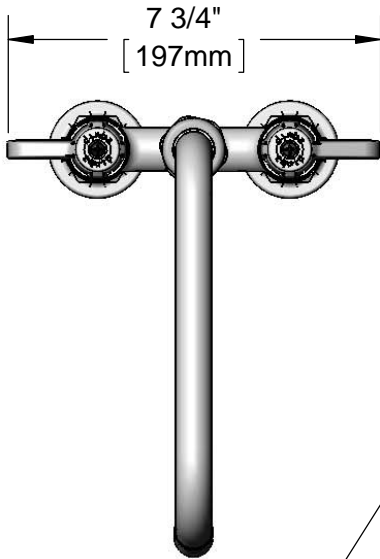
Job Name \_\_\_\_\_ Date \_\_\_\_\_

Model Specified \_\_\_\_\_ Quantity \_\_\_\_\_

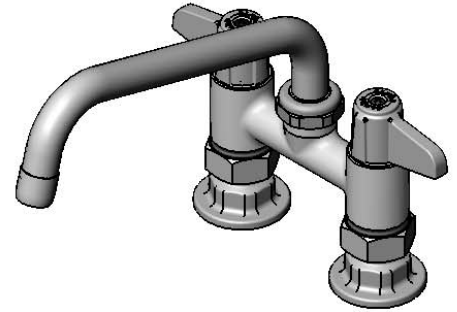
Customer/Wholesaler \_\_\_\_\_

Contractor \_\_\_\_\_

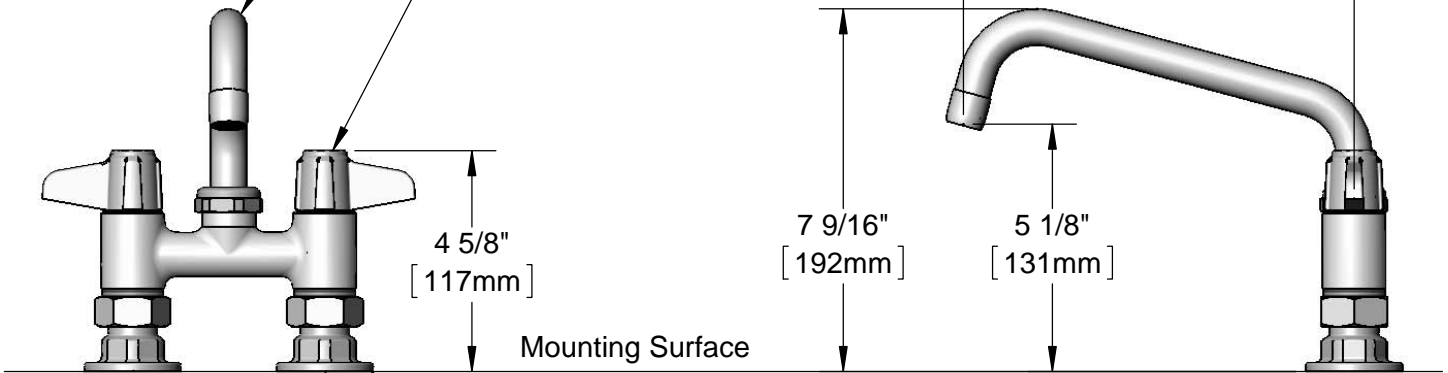
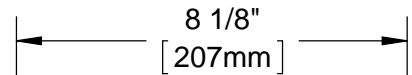
Architect/Engineer \_\_\_\_\_



5SP-08  
8" equip Swing Nozzle  
w/ Laminar Flow Device.  
Rigid Conversion Requires  
014200-45 Lock Washer  
(Sold Separately)



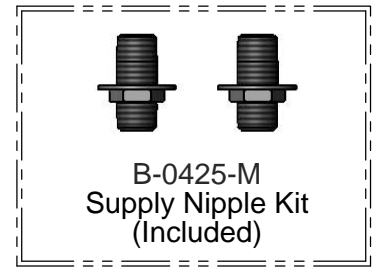
Ceramic Cartridges &  
equip Lever Handles  
w/ Color Coded Screws



Mounting Surface

4"  
[102mm]  
Adjustable from  
3 3/4" to 4 1/4"  
[95mm to 108mm]

Ø 2" [51mm]  
Flanges w/  
1/2" NPT  
Female Inlets



Rough-In Requirement:  
(2) Ø 1" [25mm] Mounting Holes

Model Number 5F-4DLS08	Date 12/09/13	Scale 1:4	Drawn KJG	Checked JRM	Approved JHB
---------------------------	------------------	--------------	--------------	----------------	-----------------

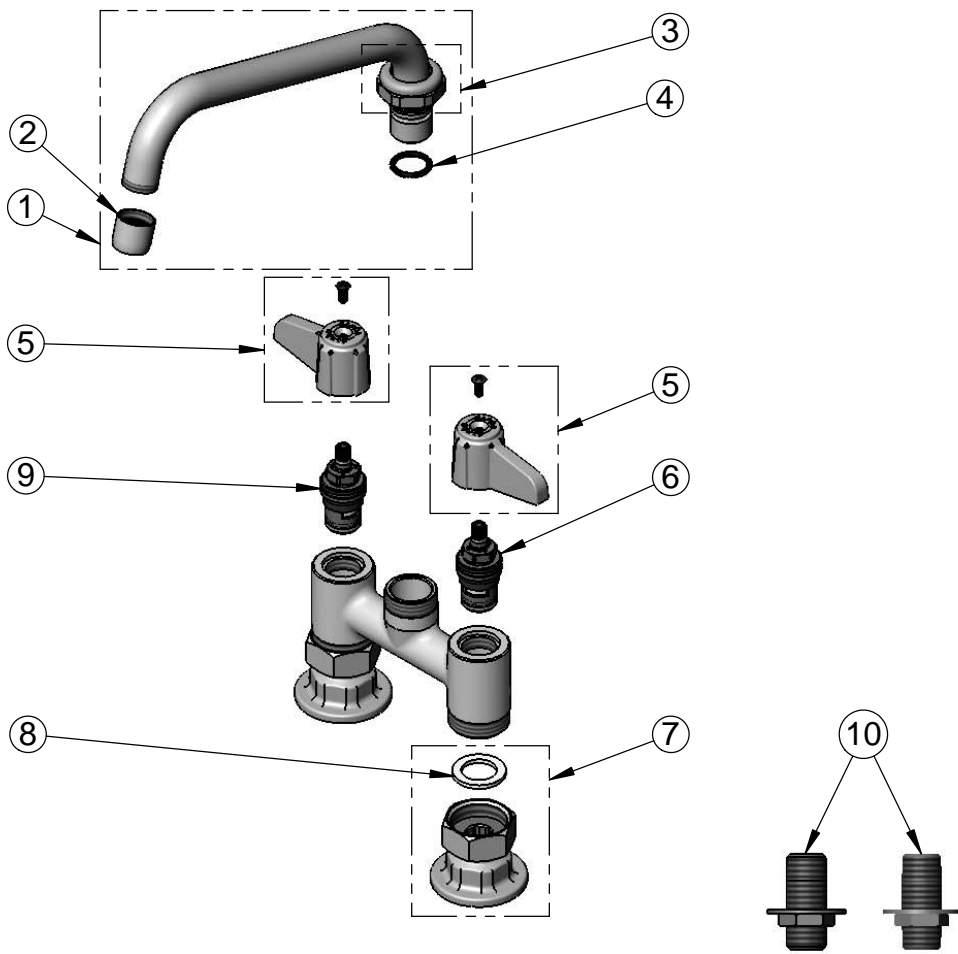
Product Specifications:

**4" Deck Mount Mixing Faucet w/ Ceramic Cartridges,  
equip Lever Handles, 8" equip Swing Nozzle  
& 1/2" NPT Supply Nipple Kit**



equip Foodservice Accessories  
2 Saddleback Cove, P.O. Box 1088  
Travelers Rest, South Carolina 29690  
Phone: 800.891.4808 Fax: 800.868.0084

ITEM NO.	SALES NO.	DESCRIPTION
1	5SP-08	8" equip Swing Nozzle
2	014250-45	Laminar Flow Device
3	013839-25	equip Swivel Nut
4	013848-45	equip Swivel Piece O-ring
5	5-HDL-L	equip Lever Handle w/ Color Coded Screws
6	013788-45	equip Ceramic Cartridge, LTC
7	00AA	1/2" NPT Female Eccentric Flange
8	001019-45	Coupling Nut Washer
9	013787-45	equip Ceramic Cartridge, RTC
10	B-0425-M	1/2" NPT Supply Nipple Kit (2)



Model Number 5F-4DLS08	Date 12/09/13	Scale NTS	Drawn KJG	Checked JRM	Approved JHB
---------------------------	------------------	--------------	--------------	----------------	-----------------



Product Specifications:

**4" Deck Mount Mixing Faucet w/ Ceramic Cartridges,  
equip Lever Handles, 8" equip Swing Nozzle  
& 1/2" NPT Supply Nipple Kit**

equip Foodservice Accessories  
2 Saddleback Cove, P.O. Box 1088  
Travelers Rest, South Carolina 29690  
Phone: 800.891.4808 Fax: 800.868.0084