



ADA Compliant

This Space for Architect/Engineer Approval

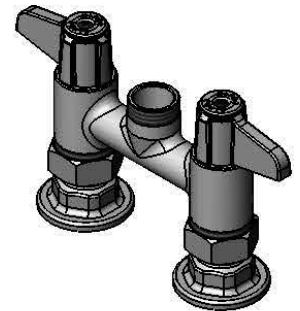
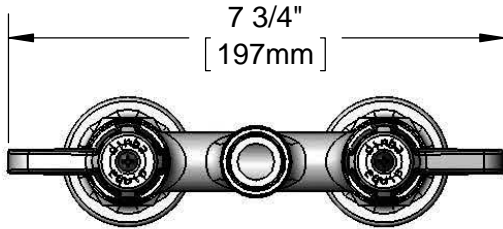
Job Name _____ Date _____

Model Specified _____ Quantity _____

Customer/Wholesaler _____

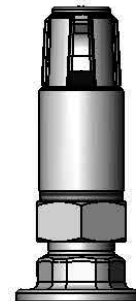
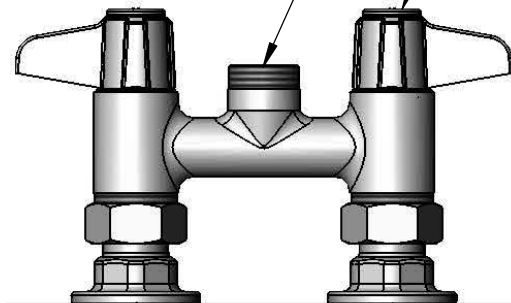
Contractor _____

Architect/Engineer _____



Swivel Outlet Accepts
equip Swing Nozzles.
Rigid Conversion Requires
014200-45 Lock Washer
(Sold Separately)

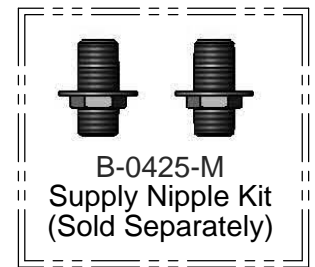
Ceramic Cartridges &
equip Lever Handles
w/ Color Coded Screws



Mounting Surface

4"
[102mm]
Adjustable from
3 3/4" to 4 1/4"
[95mm to 108mm]

Ø 2" [51mm]
Flanges w/
1/2" NPT
Female Inlets



Model Number
5F-4DLX00

Date
06/05/12

Scale
1:3

Drawn
DHL

Checked
DMH

Approved
JHB

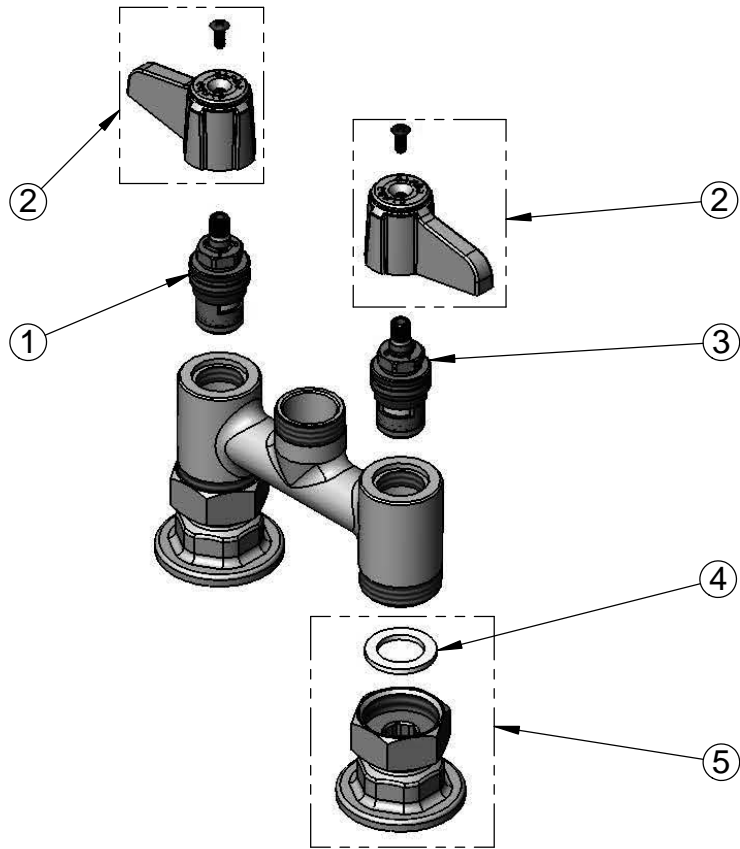


Product Specifications:

4" Deck Mount Mixing Faucet, Less Nozzle, Ceramic Cartridges, equip Lever Handles, & 1/2" NPT Female Inlets

equip Foodservice Accessories
2 Saddleback Cove, P.O. Box 1088
Travelers Rest, South Carolina 29690
Phone: 800.891.4808 Fax: 800.868.0084

ITEM NO.	SALES NO.	DESCRIPTION
1	013787-45	equip Ceramic Cartridge, RTC
2	5-HDL-L	equip Lever Handle w/ Color Coded Screws
3	013788-45	equip Ceramic Cartridge, LTC
4	001019-45	Coupling Nut Washer
5	00AA	1/2" NPT Inlet Flange



Model Number 5F-4DLX00	Date 06/05/12	Scale NTS	Drawn DHL	Checked DMH	Approved JHB
---------------------------	------------------	--------------	--------------	----------------	-----------------



Product Specifications:

4" Deck Mount Mixing Faucet, Less Nozzle, Ceramic Cartridges, equip Lever Handles, & 1/2" NPT Female Inlets

equip Foodservice Accessories
 2 Saddleback Cove, P.O. Box 1088
 Travelers Rest, South Carolina 29690
 Phone: 800.891.4808 Fax: 800.868.0084