



ADA Compliant

This Space for Architect/Engineer Approval

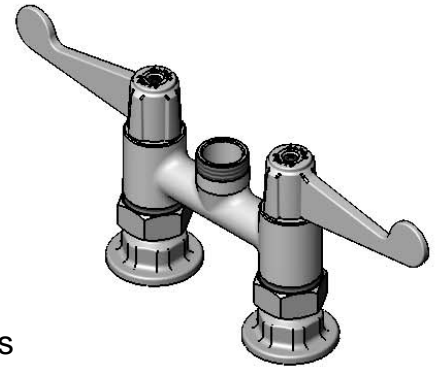
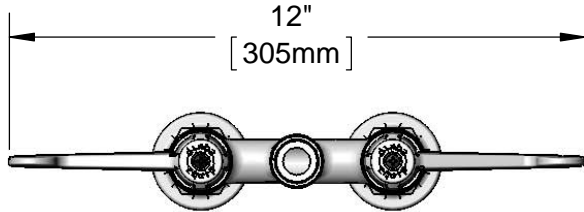
Job Name _____ Date _____

Model Specified _____ Quantity _____

Customer/Wholesaler _____

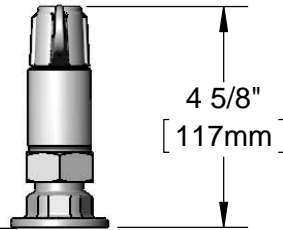
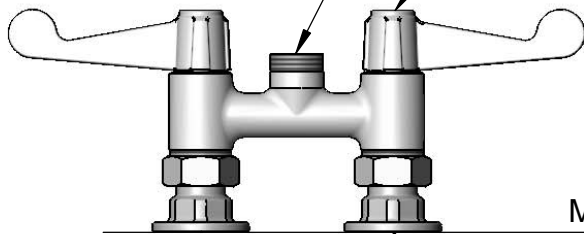
Contractor _____

Architect/Engineer _____



Swivel Outlet Accepts equip Swing Nozzles. Rigid Conversion Requires 014200-45 Lock Washer (Sold Separately)

Ceramic Cartridges & equip 4" Wrist Action Handles w/ Color Coded Screws

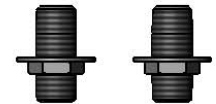


Mounting Surface



Adjustable from 3 3/4" to 4 1/4" [95mm to 108mm]

Ø 2" [51mm] Flanges w/ 1/2" NPT Female Inlets



**B-0425-M
Supply Nipple Kit
(Included)**

Rough-In Requirement:
(2) Ø 1" [25mm] Mounting Holes

Model Number 5F-4DWS00	Date 12/09/13	Scale 1:4	Drawn KJG	Checked JRM	Approved JHB
---------------------------	------------------	--------------	--------------	----------------	-----------------

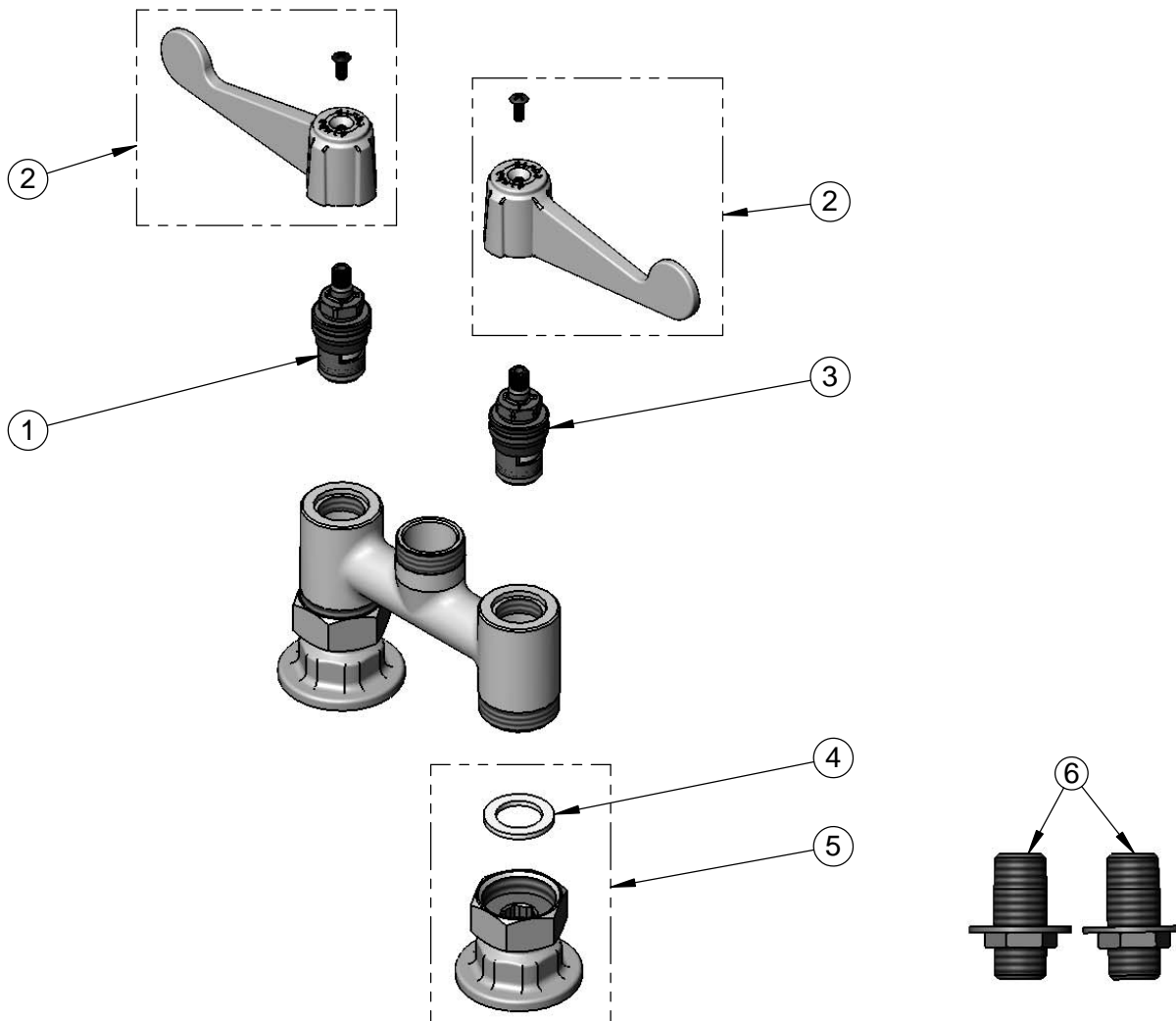
Product Specifications:

4" Deck Mount Faucet, Less Nozzle, Ceramic Cartridges, equip 4" Wrist Action Handles & 1/2" NPT Supply Nipple Kit



equip Foodservice Accessories
2 Saddleback Cove, P.O. Box 1088
Travelers Rest, South Carolina 29690
Phone: 800.891.4808 Fax: 800.868.0084

ITEM NO.	SALES NO.	DESCRIPTION
1	013787-45	Ceramic Cartridge, RTC
2	5-HDL-W	equip 4" Wrist Action Handle w/ Color Coded Screws
3	013788-45	Ceramic Cartridge, LTC
4	001019-45	Coupling Nut Washer
5	00AA	1/2" NPT Female Eccentric Flange
6	B-0425-M	1/2" NPT Supply Nipple Kit (2)



Model Number
5F-4DWS00

Date
12/09/13

Scale
NTS

Drawn
KJG

Checked
JRM

Approved
JHB



Product Specifications:

**4" Deck Mount Faucet, Less Nozzle, Ceramic Cartridges,
equip 4" Wrist Action Handles & 1/2" NPT Supply Nipple Kit**

equip Foodservice Accessories
2 Saddleback Cove, P.O. Box 1088
Travelers Rest, South Carolina 29690
Phone: 800.891.4808 Fax: 800.868.0084