



ADA Compliant

This Space for Architect/Engineer Approval

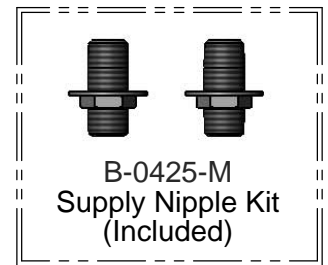
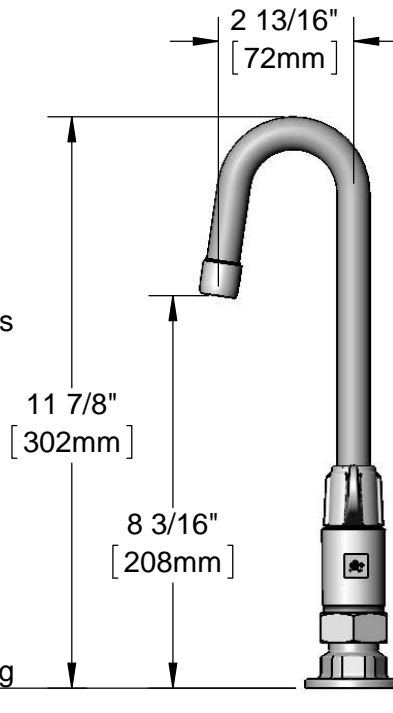
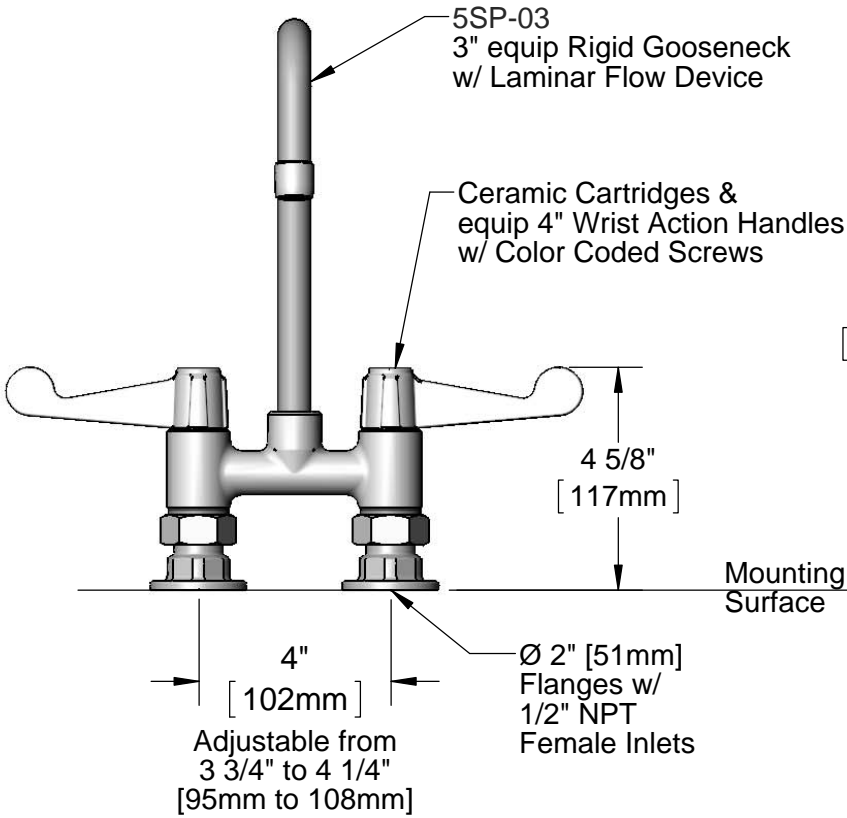
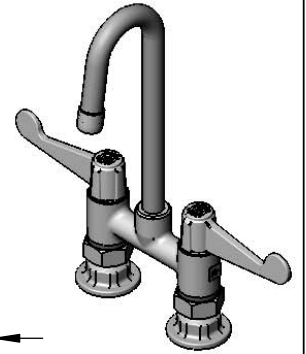
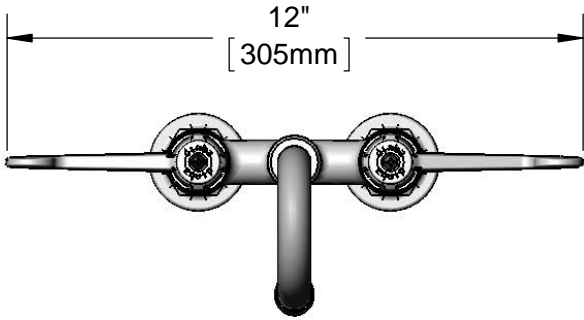
Job Name _____ Date _____

Model Specified _____ Quantity _____

Customer/Wholesaler _____

Contractor _____

Architect/Engineer _____



Rough-In Requirement:
(2) ϕ 1" [25mm] Mounting Holes

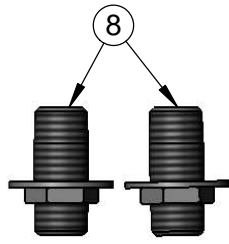
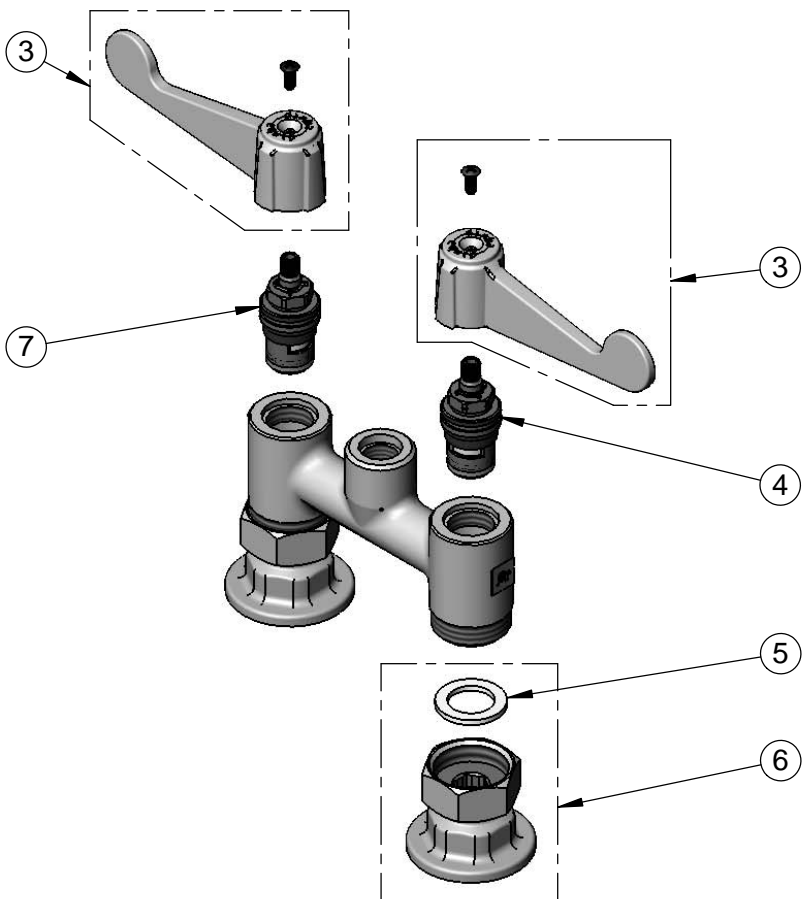
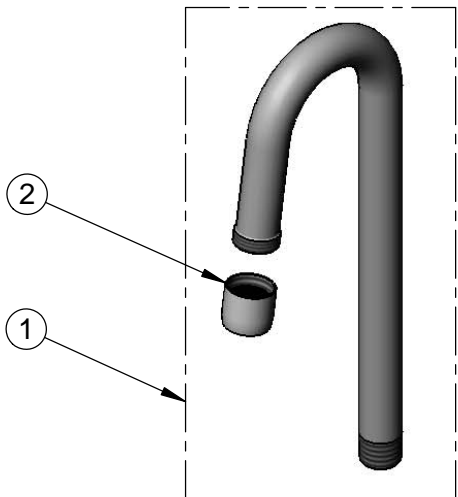
| | | | | | |
|---------------------------|------------------|--------------|--------------|----------------|-----------------|
| Model Number 5F-4DWS03 | Date 12/09/13 | Scale 1:4 | Drawn KJG | Checked JRM | Approved JHB |
|---------------------------|------------------|--------------|--------------|----------------|-----------------|

Product Specifications:
**4" Deck Mount Faucet w/ Ceramic Cartridges,
equip 4" Wrist Action Handles, 3" equip Rigid Gooseneck
& 1/2" NPT Supply Nipple Kit**



equip Foodservice Accessories
2 Saddleback Cove, P.O. Box 1088
Travelers Rest, South Carolina 29690
Phone: 800.891.4808 Fax: 800.868.0084

| ITEM NO. | SALES NO. | DESCRIPTION |
|----------|-----------|--|
| 1 | 5SP-03 | 3" equip Rigid Gooseneck |
| 2 | 014250-45 | Laminar Flow Device |
| 3 | 5-HDL-W | equip 4" Wrist Action Handle w/ Color Coded Screws |
| 4 | 013788-45 | Ceramic Cartridge, LTC |
| 5 | 001019-45 | Coupling Nut Washer |
| 6 | 00AA | 1/2" NPT Female Eccentric Flange |
| 7 | 013787-45 | Ceramic Cartridge, RTC |
| 8 | B-0425-M | 1/2" NPT Supply Nipple Kit (2) |



Model Number
5F-4DWS03

Date
12/09/13

Scale
NTS

Drawn
KJG

Checked
JRM

Approved
JHB



Product Specifications:

4" Deck Mount Faucet w/ Ceramic Cartridges,
equip 4" Wrist Action Handles, 3" equip Rigid Gooseneck
& 1/2" NPT Supply Nipple Kit

equip Foodservice Accessories
2 Saddleback Cove, P.O. Box 1088
Travelers Rest, South Carolina 29690
Phone: 800.891.4808 Fax: 800.868.0084