



**ADA Compliant**

*This Space for Architect/Engineer Approval*

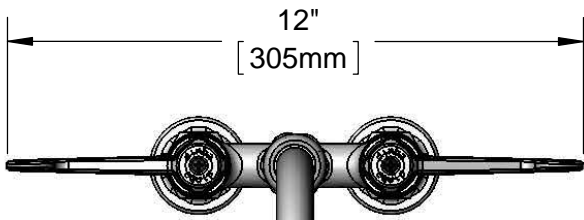
Job Name \_\_\_\_\_ Date \_\_\_\_\_

Model Specified \_\_\_\_\_ Quantity \_\_\_\_\_

Customer/Wholesaler \_\_\_\_\_

Contractor \_\_\_\_\_

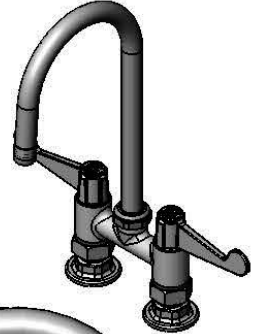
Architect/Engineer \_\_\_\_\_



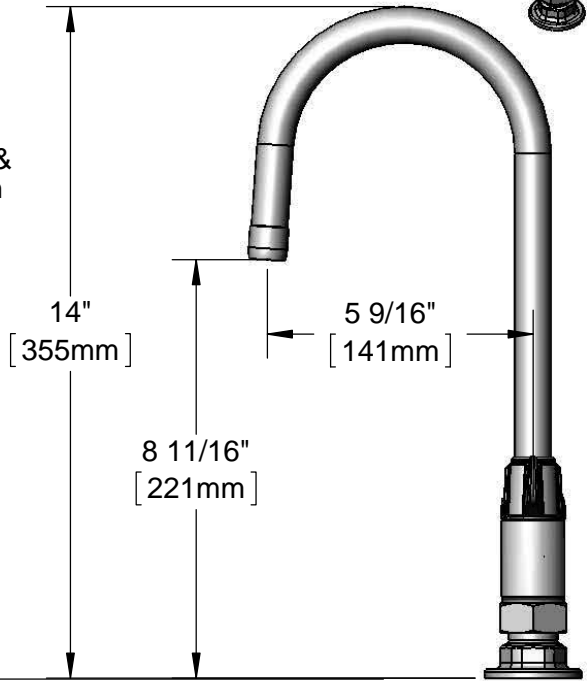
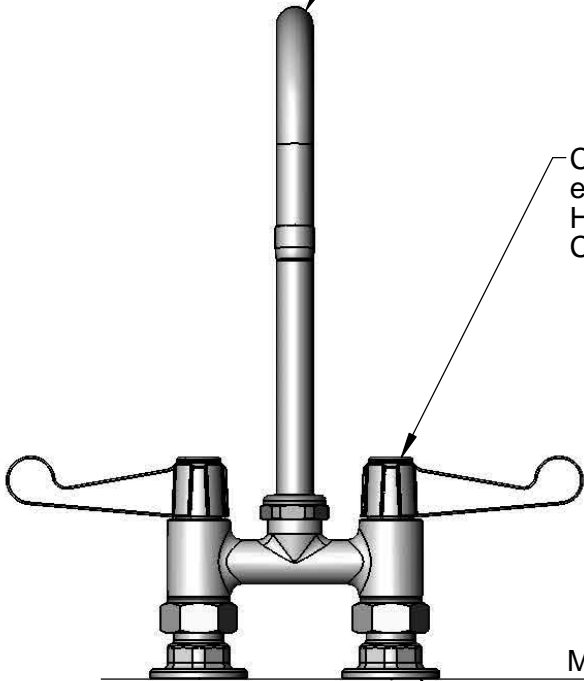
12"

[305mm]

5SP-05  
5 1/2" equip Swivel Gooseneck  
w/ Laminar Flow Device.  
Rigid Conversion Requires  
014200-45 Lock Washer  
(Sold Separately)



Ceramic Cartridges &  
equip 4" Wrist Action  
Handles w/ Color  
Coded Screws



14"

[355mm]

5 9/16"

[141mm]

8 11/16"

[221mm]

Mounting Surface

4"  
[102mm]  
Adjustable from  
3 3/4" to 4 1/4"  
[95mm to 108mm]

Ø 2" [51mm]  
Flanges w/  
1/2" NPT  
Female Inlets



B-0425-M  
Supply Nipple Kit  
(Included)

**Rough-In Requirement:**  
(2) Ø 1" [25mm] Mounting Holes

Model Number 5F-4DWS05	Date 06/05/12	Scale 1:4	Drawn DHL	Checked DMH	Approved JHB
---------------------------	------------------	--------------	--------------	----------------	-----------------

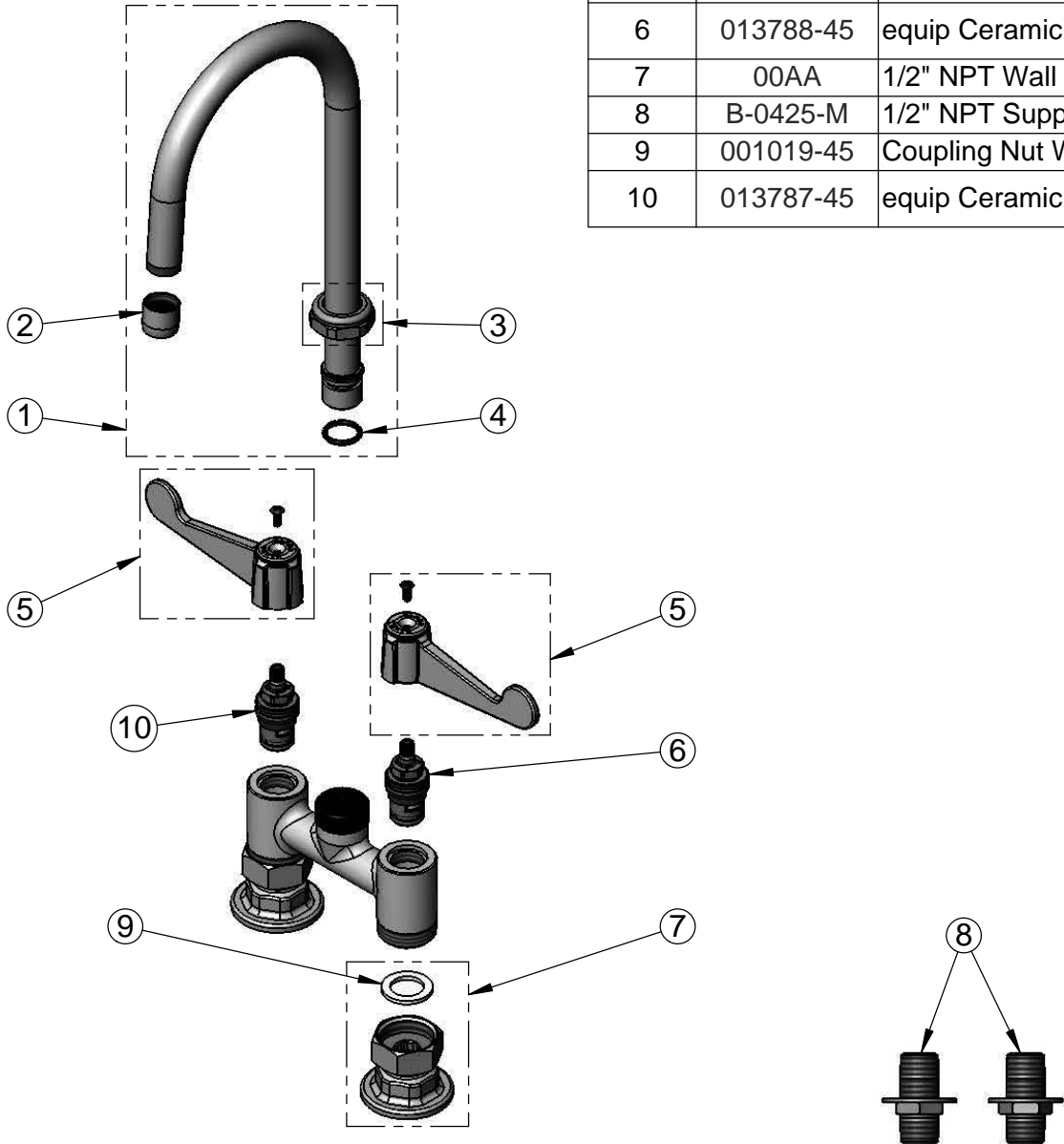


Product Specifications:

**4" Center Deck Mount Mixing Faucet w/ Ceramic Cartridges,  
equip 4" Wrist Action Handles, 5 1/2" equip Swivel Gooseneck,  
& 1/2" NPT Supply Nipple Kit**

equip Foodservice Accessories  
2 Saddleback Cove, P.O. Box 1088  
Travelers Rest, South Carolina 29690  
Phone: 800.891.4808 Fax: 800.868.0084

ITEM NO.	SALES NO.	DESCRIPTION
1	5SP-05	5 1/2" equip Swivel Gooseneck
2	014250-45	Laminar Flow Device
3	013839-25	equip Swivel Nut
4	013848-45	equip Swivel Piece O-ring
5	5-HDL-W	equip 4" Wrist Action Handle w/ Color Coded Screws
6	013788-45	equip Ceramic Cartridge, LTC
7	00AA	1/2" NPT Wall Flange
8	B-0425-M	1/2" NPT Supply Nipple
9	001019-45	Coupling Nut Washer
10	013787-45	equip Ceramic Cartridge, RTC



Model Number  
5F-4DWS05

Date  
06/05/12

Scale  
NTS

Drawn  
DHL

Checked  
DMH

Approved  
JHB



Product Specifications:

**4" Center Deck Mount Mixing Faucet w/ Ceramic Cartridges,  
equip 4" Wrist Action Handles, 5 1/2" equip Swivel Gooseneck,  
& 1/2" NPT Supply Nipple Kit**

equip Foodservice Accessories  
2 Saddleback Cove, P.O. Box 1088  
Travelers Rest, South Carolina 29690  
Phone: 800.891.4808 Fax: 800.868.0084