



ADA Compliant

This Space for Architect/Engineer Approval

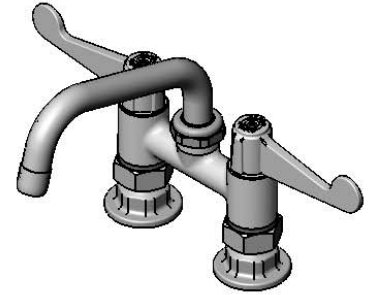
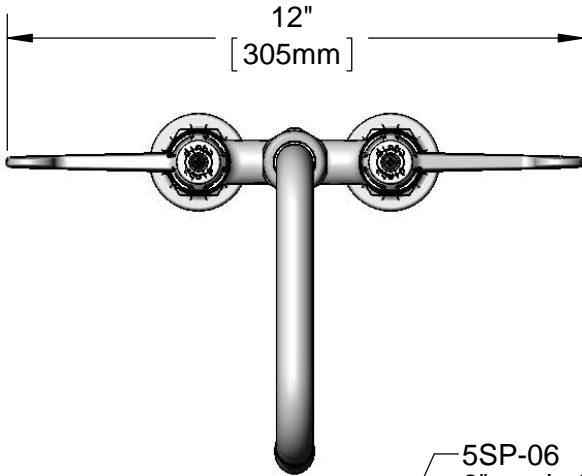
Job Name _____ Date _____

Model Specified _____ Quantity _____

Customer/Wholesaler _____

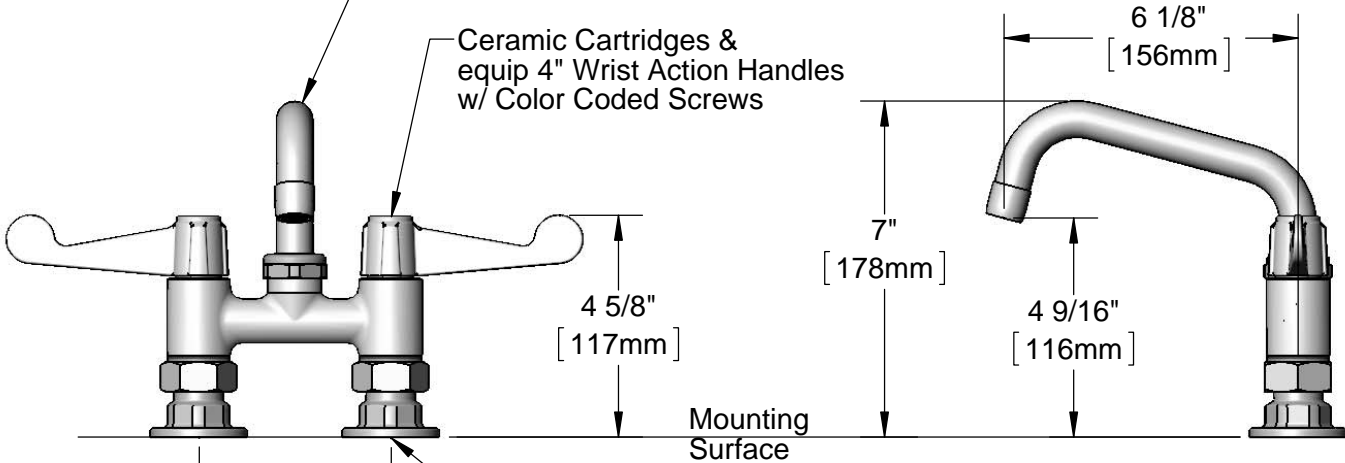
Contractor _____

Architect/Engineer _____



5SP-06
6" equip Swing Nozzle
w/ Laminar Flow Device.
Rigid Conversion Requires
014200-45 Lock Washer
(Sold Separately)

Ceramic Cartridges &
equip 4" Wrist Action Handles
w/ Color Coded Screws



4" [102mm]
Adjustable from
3 3/4" to 4 1/4"
[95mm to 108mm]

Ø 2" [51mm]
Flanges w/ 1/2" NPT
Female Inlets



Rough-In Requirement:
(2) Ø 1" [25mm] Mounting Holes

Model Number 5F-4DWS06	Date 12/09/13	Scale 1:4	Drawn KJG	Checked JRM	Approved JHB
----------------------------------	-------------------------	---------------------	---------------------	-----------------------	------------------------

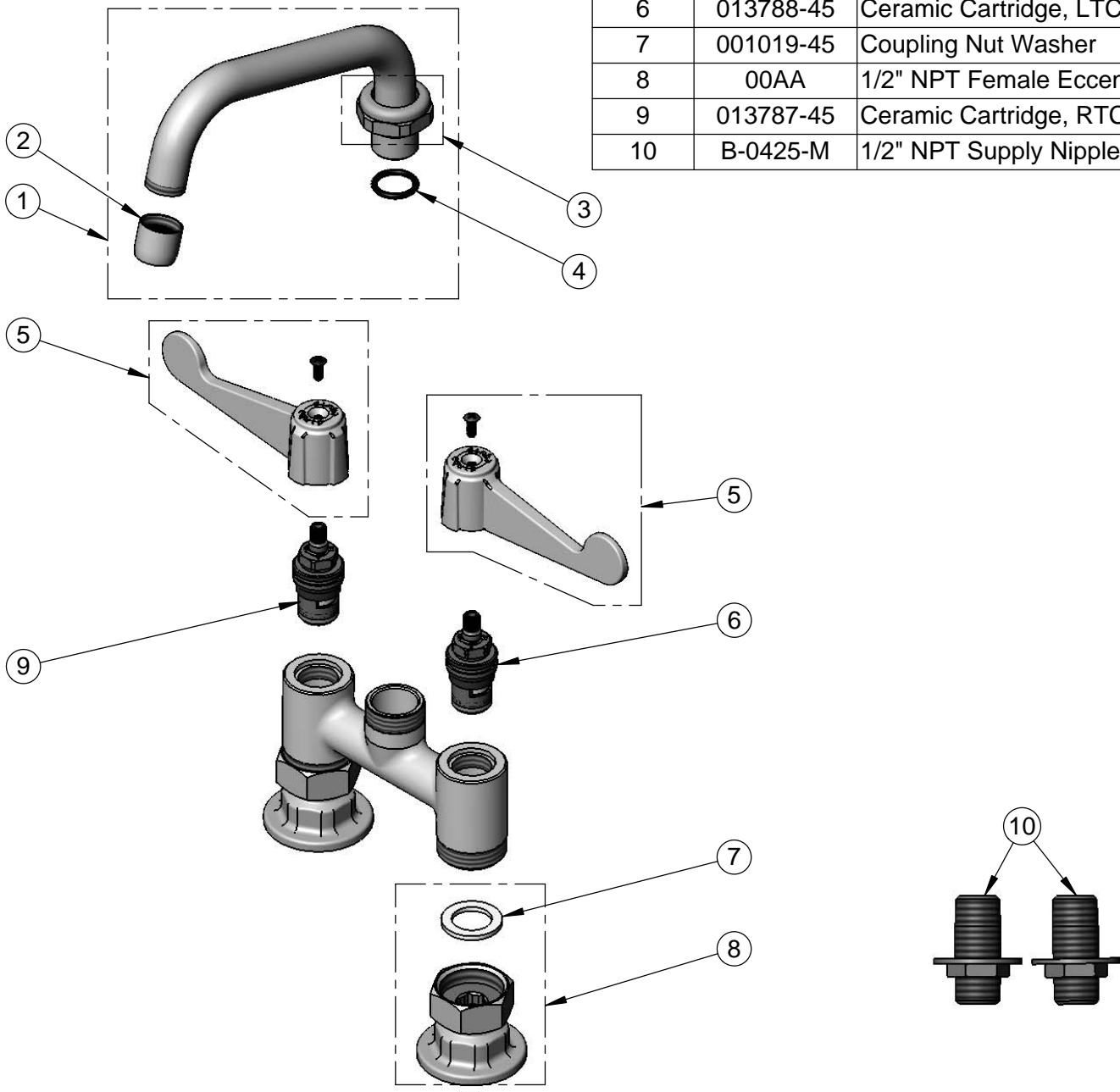


Product Specifications:

**4" Deck Mount Faucet w/ Ceramic Cartridges,
equip 4" Wrist Action Handles, 6" equip Swing Nozzle
& 1/2" NPT Supply Nipple Kit**

equip Foodservice Accessories
2 Saddleback Cove, P.O. Box 1088
Travelers Rest, South Carolina 29690
Phone: 800.891.4808 Fax: 800.868.0084

ITEM NO.	SALES NO.	DESCRIPTION
1	5SP-06	6" equip Swing Nozzle
2	014250-45	Laminar Flow Device
3	013839-25	equip Swivel Nut
4	013848-45	equip Swivel Piece O-ring
5	5-HDL-W	equip 4" Wrist Action Handle w/ Color Coded Screws
6	013788-45	Ceramic Cartridge, LTC
7	001019-45	Coupling Nut Washer
8	00AA	1/2" NPT Female Eccentric Flange
9	013787-45	Ceramic Cartridge, RTC
10	B-0425-M	1/2" NPT Supply Nipple Kit (2)



Model Number 5F-4DWS06	Date 12/09/13	Scale NTS	Drawn KJG	Checked JRM	Approved JHB
---------------------------	------------------	--------------	--------------	----------------	-----------------

	<p>Product Specifications:</p> <p>4" Deck Mount Faucet w/ Ceramic Cartridges, equip 4" Wrist Action Handles, 6" equip Swing Nozzle & 1/2" NPT Supply Nipple Kit</p>
	<p>equip Foodservice Accessories 2 Saddleback Cove, P.O. Box 1088 Travelers Rest, South Carolina 29690 Phone: 800.891.4808 Fax: 800.868.0084</p>