



ADA Compliant

This Space for Architect/Engineer Approval

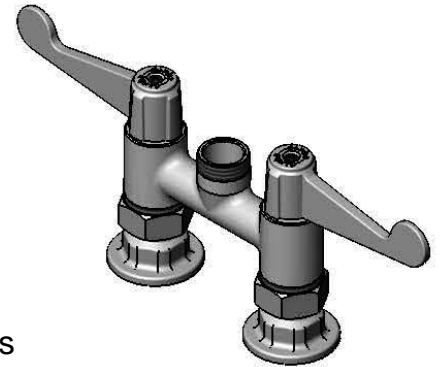
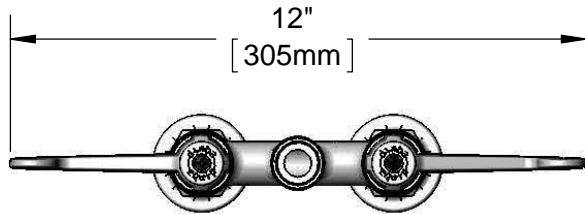
Job Name _____ Date _____

Model Specified _____ Quantity _____

Customer/Wholesaler _____

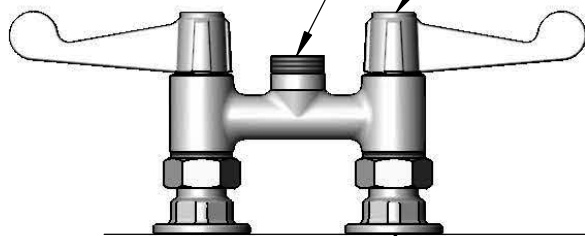
Contractor _____

Architect/Engineer _____

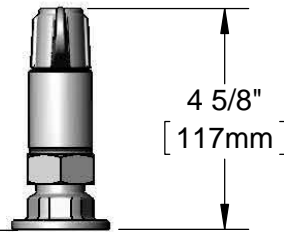


Swivel Outlet Accepts equip Swing Nozzles, Rigid Conversion Requires 014200-45 Lock Washer (Sold Separately)

Ceramic Cartridges & equip 4" Wrist Action Handles w/ Color Coded Screws



Mounting Surface

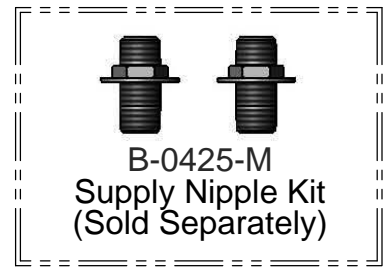


4 5/8" [117mm]

4" [102mm]

Adjustable from 3 3/4" to 4 1/4" [95mm to 108mm]

Ø 2" [51mm] Flanges w/ 1/2" NPT Female Inlets



B-0425-M Supply Nipple Kit (Sold Separately)

Model Number 5F-4DWX00

Date 05/29/12

Scale 1:4

Drawn DMH

Checked KJG

Approved JHB

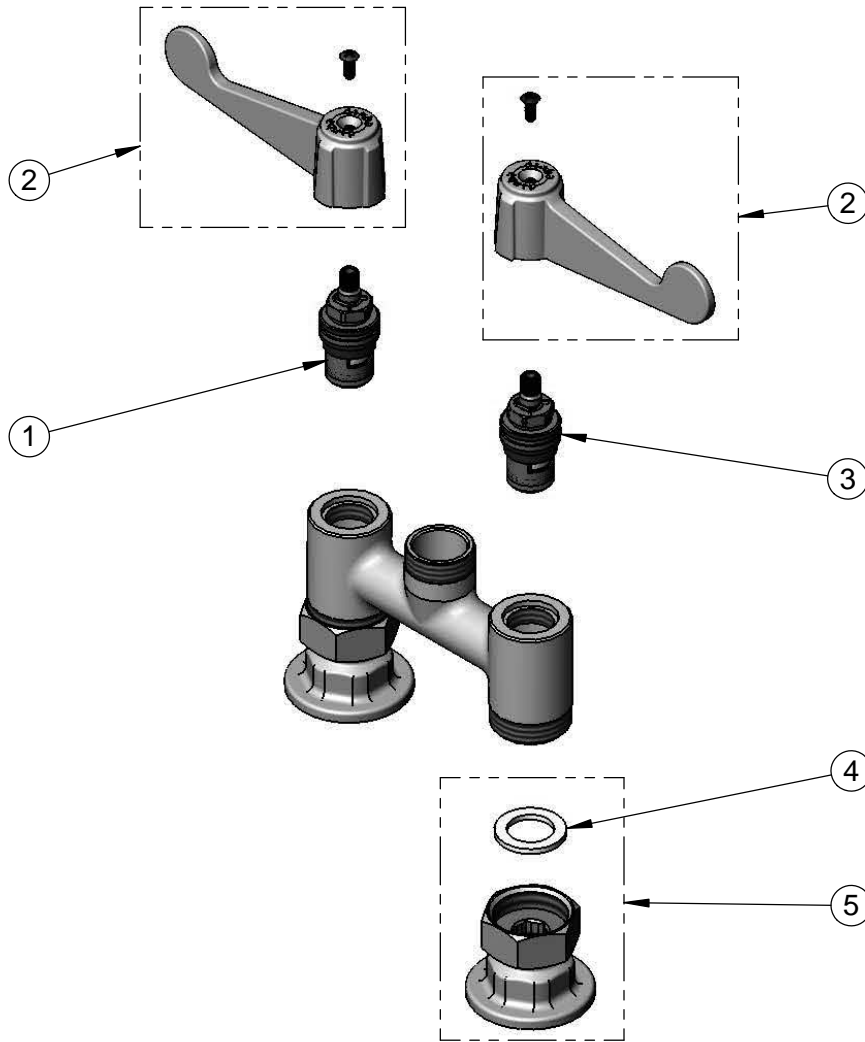


Product Specifications:

4" Deck Mount Faucet Less Swivel Gooseneck w/ equip 4" Wrist Action Handles & 1/2" NPT Female Inlets

equip Foodservice Accessories
2 Saddleback Cove, P.O. Box 1088
Travelers Rest, South Carolina 29690
Phone: 800.891.4808 Fax: 800.868.0084

ITEM NO.	SALES NO.	DESCRIPTION
1	013787-45	Ceramic Cartridge, RTC
2	5-HDL-W	"equip" 4" Wrist Action Handle (includes Blue & Red Screws)
3	013788-45	Ceramic Cartridge, LTC
4	001019-45	Coupling Nut Washer
5	00AA	1/2" NPT Inlet Flange



Model Number
5F-4DWX00

Date
05/29/12

Scale
NTS

Drawn
DMH

Checked
KJG

Approved
JHB



Product Specifications:

4" Deck Mount Faucet Less Swivel Gooseneck
w/ equip 4" Wrist Action Handles & 1/2" NPT Female Inlets

equip Foodservice Accessories
2 Saddleback Cove, P.O. Box 1088
Travelers Rest, South Carolina 29690
Phone: 800.891.4808 Fax: 800.868.0084