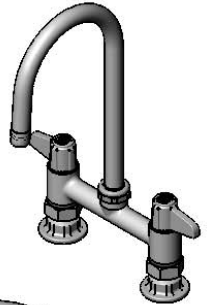


  
**ADA Compliant**

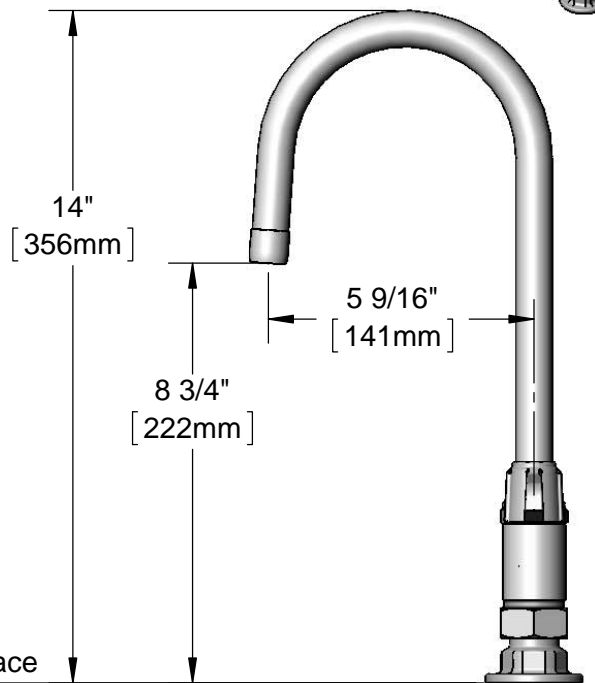
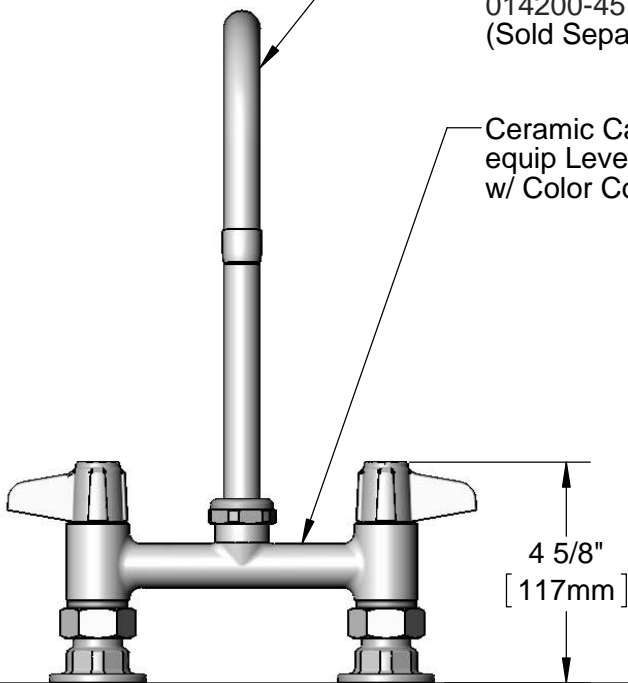
*This Space for Architect/Engineer Approval*

Job Name \_\_\_\_\_ Date \_\_\_\_\_  
 Model Specified \_\_\_\_\_ Quantity \_\_\_\_\_  
 Customer/Wholesaler \_\_\_\_\_  
 Contractor \_\_\_\_\_  
 Architect/Engineer \_\_\_\_\_



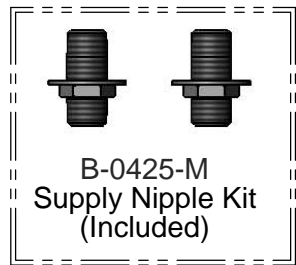
5SP-05  
 5 1/2" equip Swivel Gooseneck  
 w/ Laminar Flow Device.  
 Rigid Conversion Requires  
 014200-45 Lock Washer  
 (Sold Separately)

Ceramic Cartridges &  
 equip Lever Handles  
 w/ Color Coded Screws



6" [152mm]  
 Adjustable from  
 5 3/4" to 6 1/4"  
 [146mm to 159mm]

Ø 2" [51mm]  
 Flanges w/  
 1/2" NPT  
 Female Inlets



Rough-In Requirement:  
 (2) Ø 1" [25mm] Mounting Holes

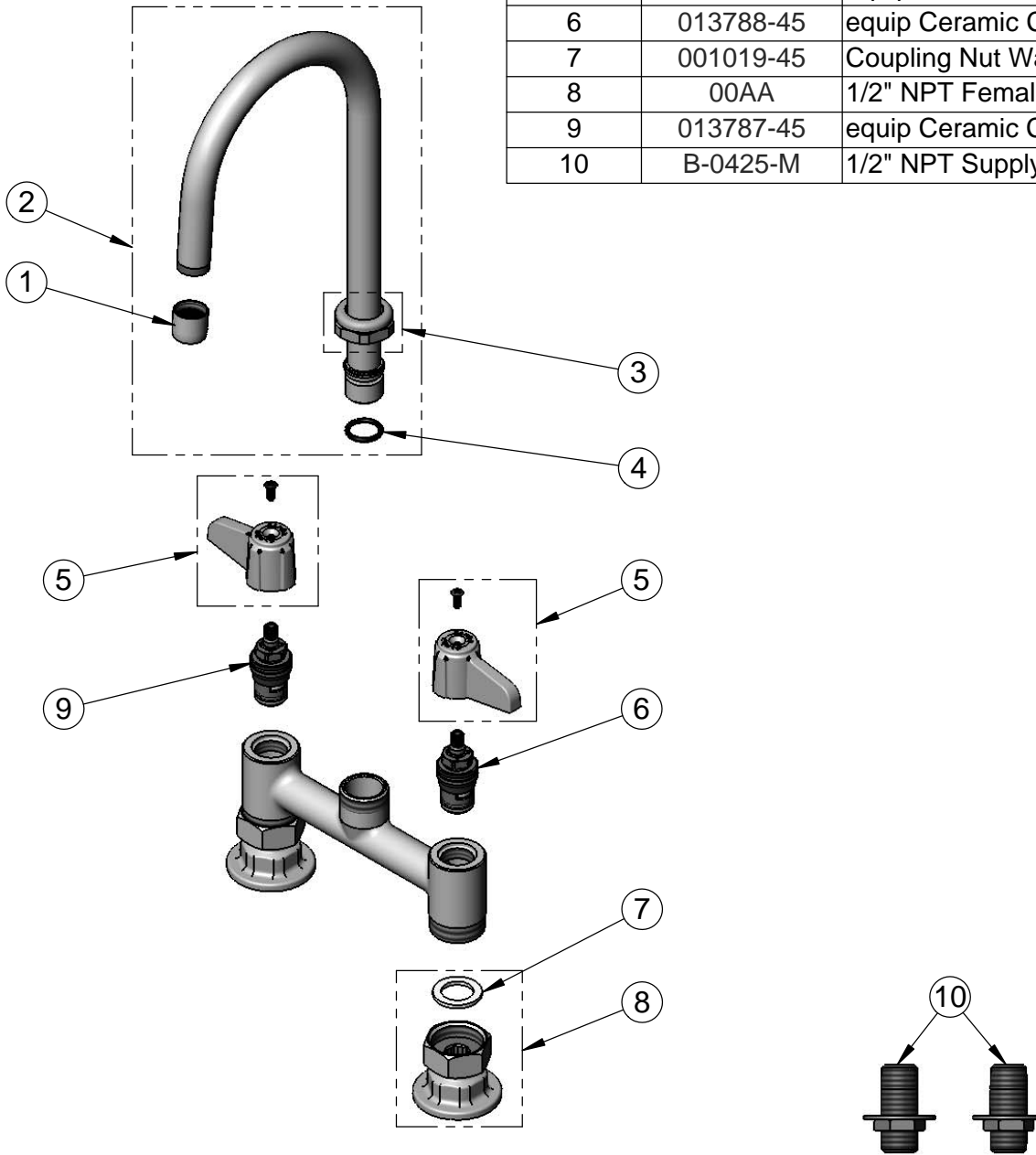
Model Number <b>5F-6DLS05</b>	Date <b>12/09/13</b>	Scale <b>1:4</b>	Drawn <b>KJG</b>	Checked <b>JRM</b>	Approved <b>JHB</b>
----------------------------------	-------------------------	---------------------	---------------------	-----------------------	------------------------



Product Specifications:  
**6" Deck Mount Mixing Faucet w/ Ceramic Cartridges,  
 equip Lever Handles, 5 1/2" equip Swivel Gooseneck  
 & 1/2" NPT Supply Nipple Kit**

equip Foodservice Accessories  
 2 Saddleback Cove, P.O. Box 1088  
 Travelers Rest, South Carolina 29690  
 Phone: 800.891.4808 Fax: 800.868.0084

ITEM NO.	SALES NO.	DESCRIPTION
1	014250-45	Laminar Flow Device
2	5SP-05	5 1/2" equip Swivel Gooseneck
3	013839-45	equip Swivel Nut
4	013848-45	equip Swivel Piece O-Ring
5	5-HDL-L	equip Lever Handle w/ Color Coded Screws
6	013788-45	equip Ceramic Cartridge, LTC
7	001019-45	Coupling Nut Washer
8	00AA	1/2" NPT Female Eccentric Flange
9	013787-45	equip Ceramic Cartridge, RTC
10	B-0425-M	1/2" NPT Supply Nipple Kit (2)



Model Number 5F-6DLS05	Date 12/09/13	Scale NTS	Drawn KJG	Checked JRM	Approved JHB
---------------------------	------------------	--------------	--------------	----------------	-----------------



Product Specifications:  
**6" Deck Mount Mixing Faucet w/ Ceramic Cartridges,  
 equip Lever Handles, 5 1/2" equip Swivel Gooseneck  
 & 1/2" NPT Supply Nipple Kit**

equip Foodservice Accessories  
 2 Saddleback Cove, P.O. Box 1088  
 Travelers Rest, South Carolina 29690  
 Phone: 800.891.4808 Fax: 800.868.0084