



ADA Compliant

This Space for Architect/Engineer Approval

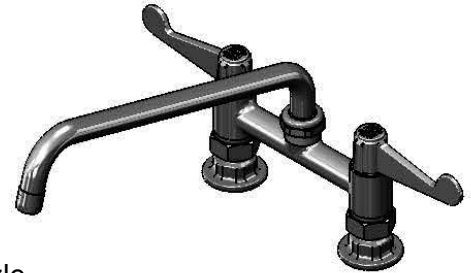
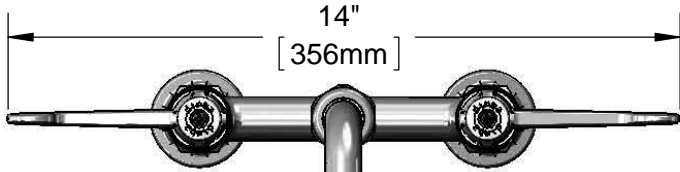
Job Name _____ Date _____

Model Specified _____ Quantity _____

Customer/Wholesaler _____

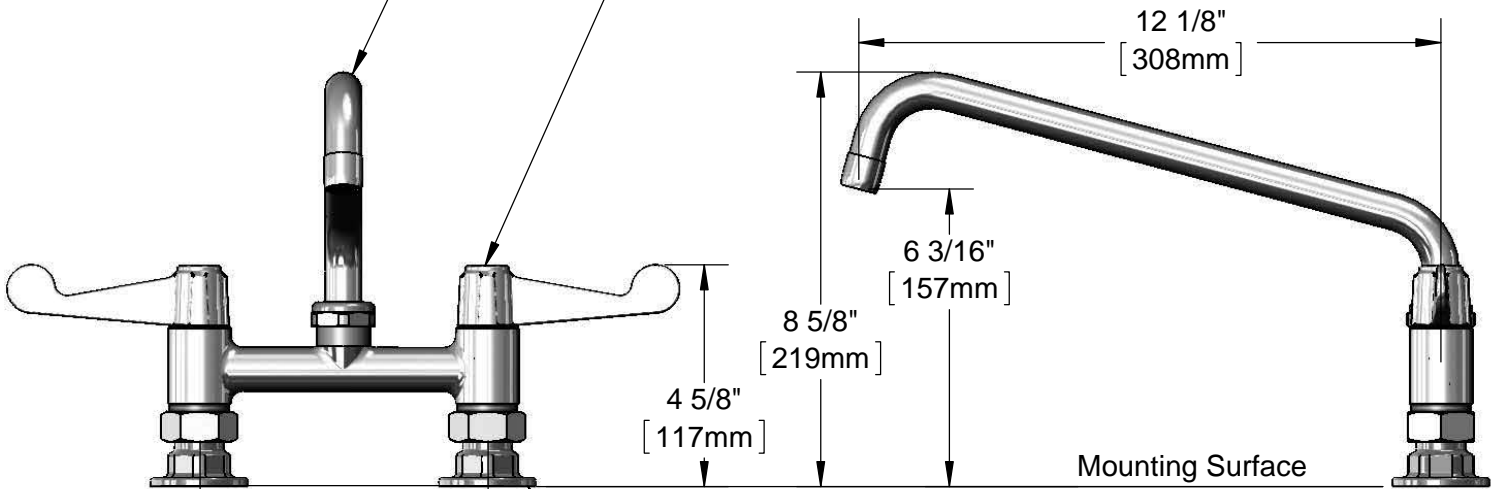
Contractor _____

Architect/Engineer _____



5SP-12
12" equip Swing Nozzle
w/ Laminar Flow Device.
Rigid Conversion Requires
014200-45 Lock Washer
(Sold Separately)

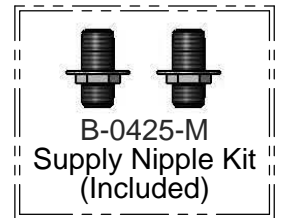
Ceramic Cartridges &
equip 4" Wrist Action Handles
w/ Color Coded Screws



Mounting Surface

6"
[152mm]
Adjustable from
5 3/4" to 6 1/4"
[146mm to 159mm]

Ø 2" [51mm]
Flanges w/
1/2" NPT
Female Inlets



Model Number
5F-6DWS12

Date
02/03/14

Scale
1:4

Drawn
DHL

Checked
KJG

Approved
JHB

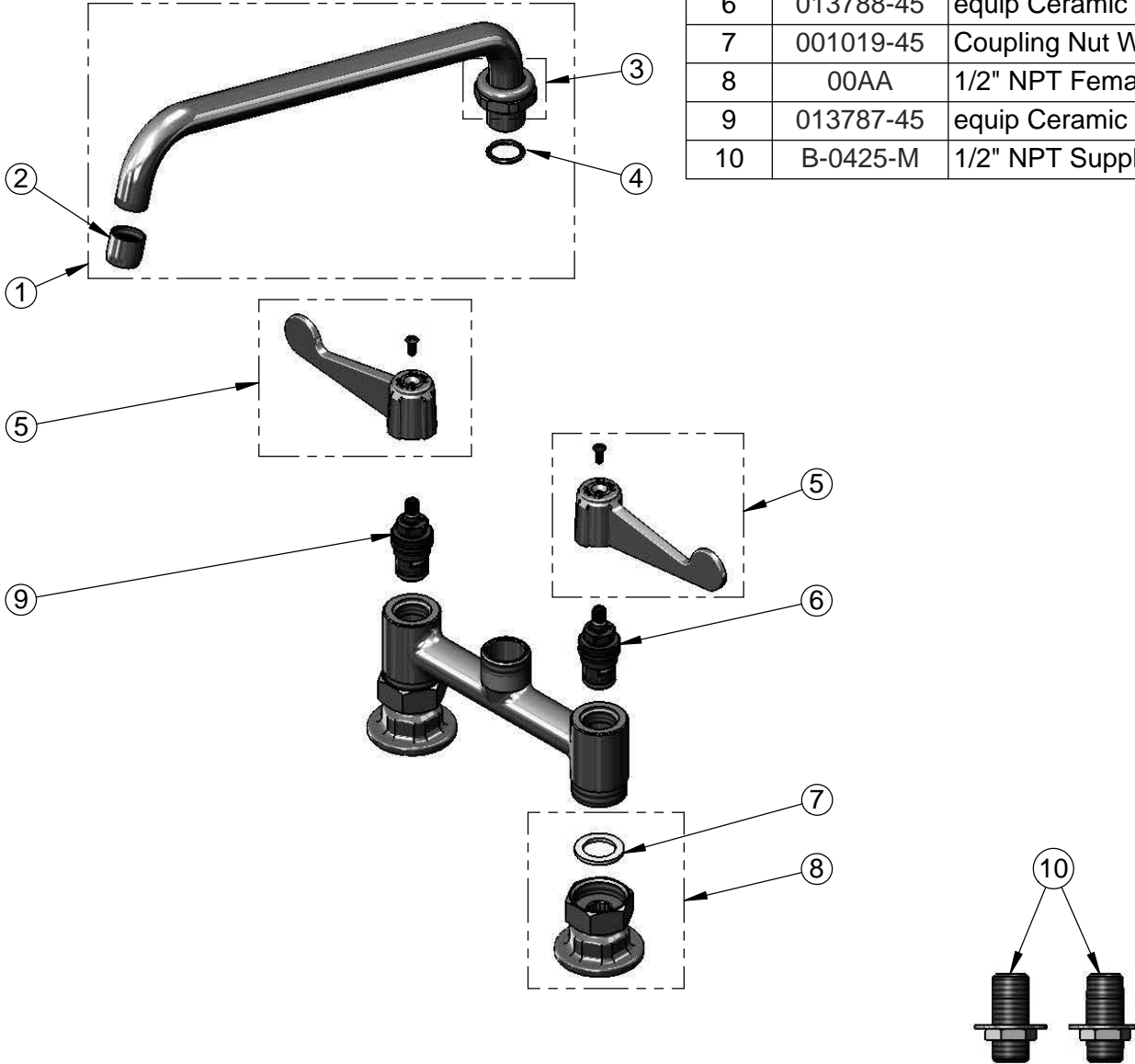


Product Specifications:

6" Deck Mount Mixing Faucet, Ceramic Cartridges,
equip 4" Wrist Action Handles, 12" equip Swing Nozzle
& 1/2" NPT Female Inlets

equip Foodservice Accessories
2 Saddleback Cove, P.O. Box 1088
Travelers Rest, South Carolina 29690
Phone: 800.891.4808 Fax: 800.868.0084

| ITEM NO. | SALES NO. | DESCRIPTION |
|----------|-----------|--|
| 1 | 5SP-12 | 12" equip Swing Nozzle |
| 2 | 014250-45 | Laminar Flow Device |
| 3 | 013839-25 | equip Swivel Nut |
| 4 | 013848-45 | equip Swivel Piece O-ring |
| 5 | 5-HDL-W | equip 4" Wrist Action Handle w/ Color Coded Screws |
| 6 | 013788-45 | equip Ceramic Cartridge, LTC |
| 7 | 001019-45 | Coupling Nut Washer |
| 8 | 00AA | 1/2" NPT Female Eccentric Flange |
| 9 | 013787-45 | equip Ceramic Cartridge, RTC |
| 10 | B-0425-M | 1/2" NPT Supply Nipple Kit (2) |



| | | | | | |
|---------------------------|------------------|--------------|--------------|----------------|-----------------|
| Model Number 5F-6DWS12 | Date 02/03/14 | Scale NTS | Drawn DHL | Checked KJG | Approved JHB |
|---------------------------|------------------|--------------|--------------|----------------|-----------------|



Product Specifications:

**6" Deck Mount Mixing Faucet, Ceramic Cartridges,
equip 4" Wrist Action Handles, 12" equip Swing Nozzle
& 1/2" NPT Female Inlets**

equip Foodservice Accessories
2 Saddleback Cove, P.O. Box 1088
Travelers Rest, South Carolina 29690
Phone: 800.891.4808 Fax: 800.868.0084