



ADA Compliant

This Space for Architect/Engineer Approval

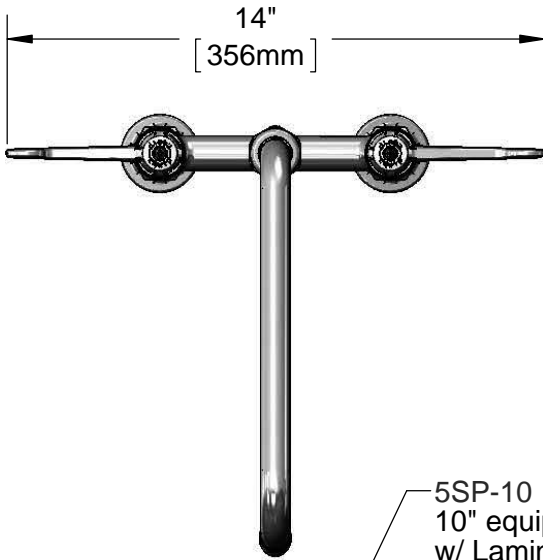
Job Name _____ Date _____

Model Specified _____ Quantity _____

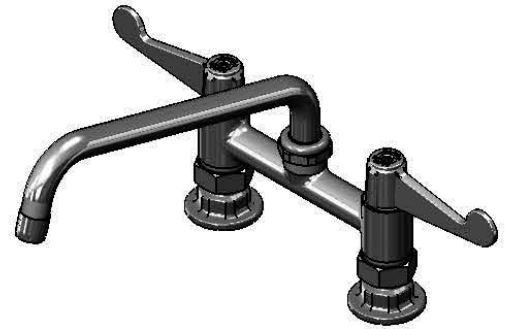
Customer/Wholesaler _____

Contractor _____

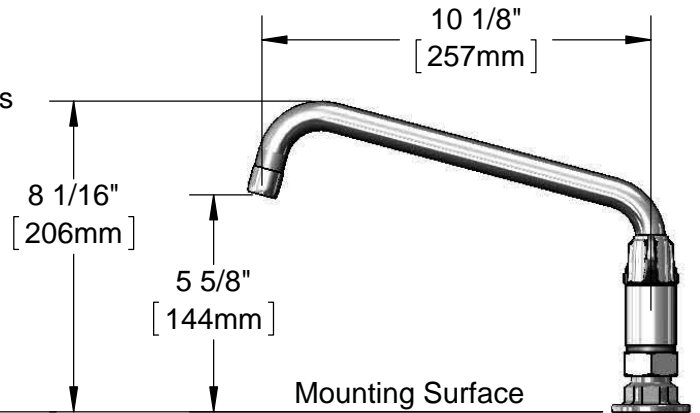
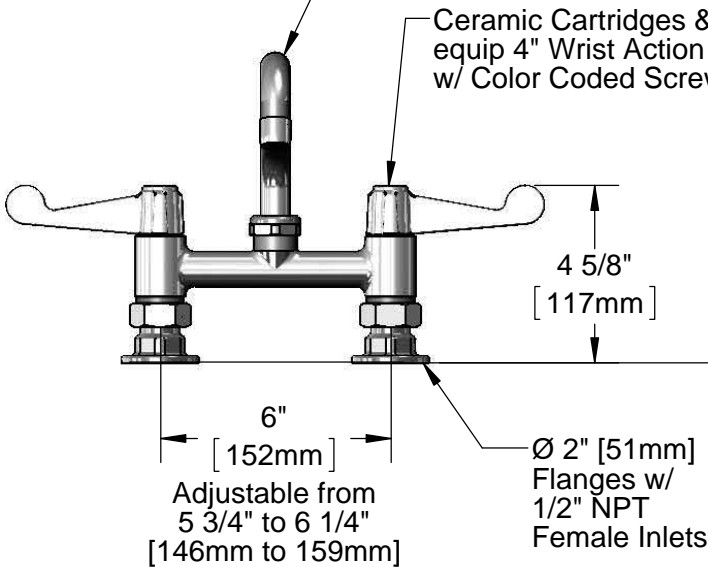
Architect/Engineer _____



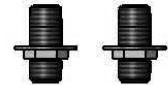
5SP-10
10" equip Swing Nozzle
w/ Laminar Flow Device.
Rigid Conversion Requires
014200-45 Lock Washer
(Sold Separately)



Ceramic Cartridges &
equip 4" Wrist Action Handles
w/ Color Coded Screws



Mounting Surface



B-0425-M
Supply Nipple Kit
(Sold Separately)

Model Number
5F-6DWX10

Date
01/16/14

Scale
1:5

Drawn
KJG

Checked
DHL

Approved
JHB

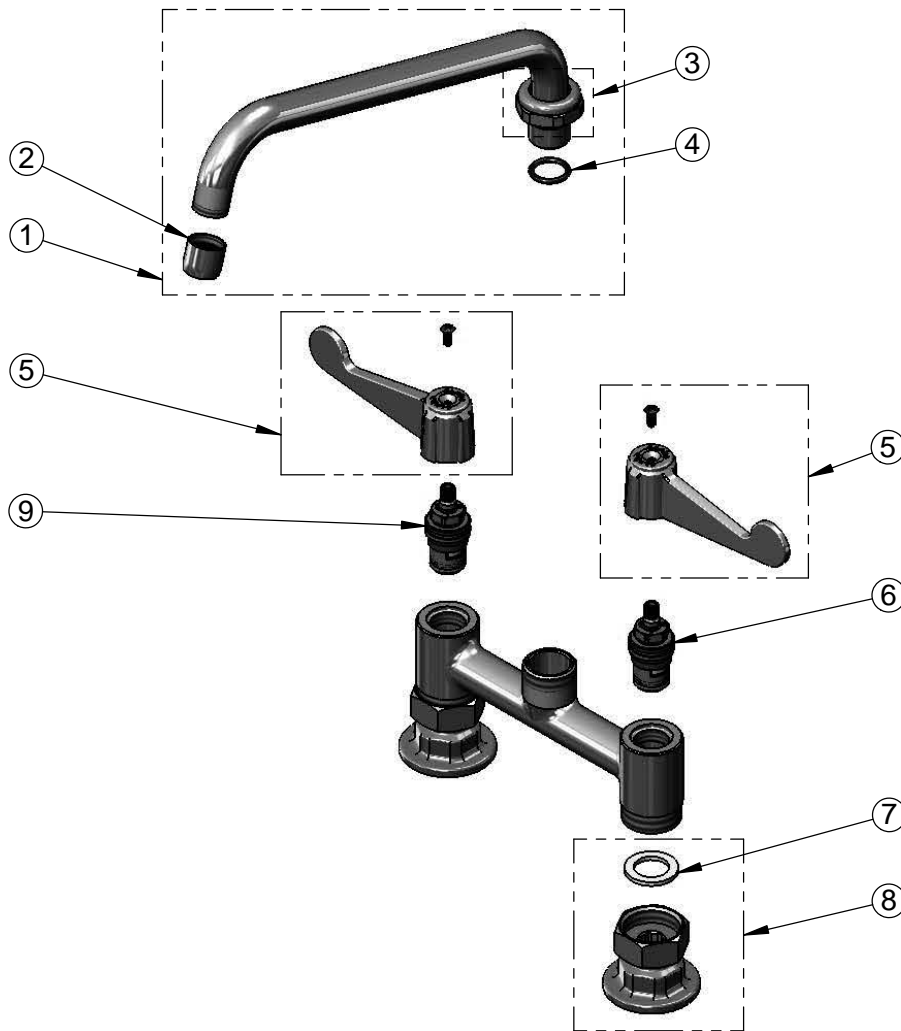


Product Specifications:

6" Deck Mount Mixing Faucet, Ceramic Cartridges,
equip 4" Wrist Action Handles, 10" equip Swing Nozzle
& 1/2" NPT Female Inlets

equip Foodservice Accessories
2 Saddleback Cove, P.O. Box 1088
Travelers Rest, South Carolina 29690
Phone: 800.891.4808 Fax: 800.868.0084

ITEM NO.	SALES NO.	DESCRIPTION
1	5SP-10	10" equip Swing Nozzle
2	014250-45	Laminar Flow Device
3	013839-25	equip Swivel Nut
4	013848-45	equip Swivel Piece O-ring
5	5-HDL-W	equip 4" Wrist Action Handle w/ Color Coded Screws
6	013788-45	equip Ceramic Cartridge, LTC
7	001019-45	Coupling Nut Washer
8	00AA	1/2" NPT Female Eccentric Flange
9	013787-45	equip Ceramic Cartridge, RTC



Model Number 5F-6DWX10	Date 01/16/14	Scale NTS	Drawn KJG	Checked DHL	Approved JHB
----------------------------------	-------------------------	---------------------	---------------------	-----------------------	------------------------



Product Specifications:

**6" Deck Mount Mixing Faucet, Ceramic Cartridges,
equip 4" Wrist Action Handles, 10" equip Swing Nozzle
& 1/2" NPT Female Inlets**

equip Foodservice Accessories
2 Saddleback Cove, P.O. Box 1088
Travelers Rest, South Carolina 29690
Phone: 800.891.4808 Fax: 800.868.0084